

(19) World Intellectual Property Organization
International Bureau



(43) International Publication Date
8 February 2007 (08.02.2007)

PCT

(10) International Publication Number
WO 2007/015076 A3

(51) International Patent Classification:
F16H 1/32 (2006.01)

(21) International Application Number:
PCT/GB2006/002842

(22) International Filing Date: 31 July 2006 (31.07.2006)

(25) Filing Language: English

(26) Publication Language: English

(30) Priority Data:
0515729.2 30 July 2005 (30.07.2005) GB
0604623.9 8 March 2006 (08.03.2006) GB

(71) Applicant and

(72) Inventor: **CHADWICK, Richard** [GB/GB]; Windmill Cottage, 35 Windmill Hill, Halesowen B63 2BZ (GB).

(74) Agents: **SOMERVELL, Thomas, R.** et al.; Marks & Clerk, Alpha Tower, Suffolk Street Queensway, Birmingham B1 1TT (GB).

(81) Designated States (unless otherwise indicated, for every kind of national protection available): AE, AG, AL, AM,

AT, AU, AZ, BA, BB, BG, BR, BW, BY, BZ, CA, CH, CN, CO, CR, CU, CZ, DE, DK, DM, DZ, EC, EE, EG, ES, FI, GB, GD, GE, GH, GM, HN, HR, HU, ID, IL, IN, IS, JP, KE, KG, KM, KN, KP, KR, KZ, LA, LC, LK, LR, LS, LT, LU, LV, LY, MA, MD, MG, MK, MN, MW, MX, MZ, NA, NG, NI, NO, NZ, OM, PG, PH, PL, PT, RO, RS, RU, SC, SD, SE, SG, SK, SL, SM, SY, TJ, TM, TN, TR, TT, TZ, UA, UG, US, UZ, VC, VN, ZA, ZM, ZW.

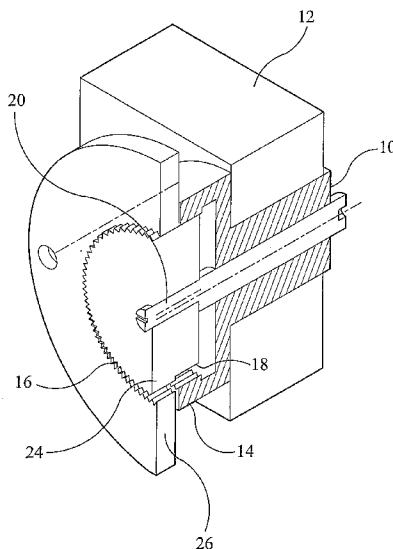
(84) Designated States (unless otherwise indicated, for every kind of regional protection available): ARIPO (BW, GH, GM, KE, LS, MW, MZ, NA, SD, SL, SZ, TZ, UG, ZM, ZW), Eurasian (AM, AZ, BY, KG, KZ, MD, RU, TJ, TM), European (AT, BE, BG, CH, CY, CZ, DE, DK, EE, ES, FI, FR, GB, GR, HU, IE, IS, IT, LT, LU, LV, MC, NL, PL, PT, RO, SE, SI, SK, TR), OAPI (BF, BJ, CF, CG, CI, CM, GA, GN, GQ, GW, ML, MR, NE, SN, TD, TG).

Published:
— with international search report

(88) Date of publication of the international search report:
3 May 2007

For two-letter codes and other abbreviations, refer to the "Guidance Notes on Codes and Abbreviations" appearing at the beginning of each regular issue of the PCT Gazette.

(54) Title: ROTARY TRANSMISSION



(57) Abstract: An apparatus for transmission of rotation between a first rotational member (10) and a second rotational member (22) comprises a first gear member (14) mounted for rotation about an axis and coupled for rotation to the first rotational member (10). An eccentric gear arrangement is mounted eccentrically with respect to the axis and has a first eccentric gear portion (18) for engagement with the first gear member (14) and a second eccentric gear portion (16) for engagement with a second gear member (26). Crank means (20) couple the eccentrically mounted gear arrangement to the second rotational member (22), whereby orbital motion of the eccentric gear arrangement about the axis is transmitted to the second rotational member (22). The first and second eccentric gear portions (16, 18) are coupled for rotation with each other, and the first and second gear members (14, 26) are rotationally independent of each other.

WO 2007/015076 A3

INTERNATIONAL SEARCH REPORT

International application No
PCT/GB2006/002842

A. CLASSIFICATION OF SUBJECT MATTER
INV. F16H1/32

According to International Patent Classification (IPC) or to both national classification and IPC

B. FIELDS SEARCHED

Minimum documentation searched (classification system followed by classification symbols)
F16H

Documentation searched other than minimum documentation to the extent that such documents are included in the fields searched

Electronic data base consulted during the international search (name of data base and, where practical, search terms used)

EPO-Internal

C. DOCUMENTS CONSIDERED TO BE RELEVANT

Category*	Citation of document, with indication, where appropriate, of the relevant passages	Relevant to claim No.
X	DE 21 48 908 A1 (STIVAL LUIGI; STIVAL UMBERTO) 6 April 1972 (1972-04-06) pages 3,5,7; figure 1 -----	1-5, 15-22, 25-27, 37-40
X	DE 36 06 240 A1 (COOP GOIZPER S [ES]) 9 July 1987 (1987-07-09) figures 2-4 ----- -/--	1,3-6, 11-15, 17-22, 25-27, 37-39

Further documents are listed in the continuation of Box C.

See patent family annex.

* Special categories of cited documents :

"A" document defining the general state of the art which is not considered to be of particular relevance

"E" earlier document but published on or after the international filing date

"L" document which may throw doubts on priority claim(s) or which is cited to establish the publication date of another citation or other special reason (as specified)

"O" document referring to an oral disclosure, use, exhibition or other means

"P" document published prior to the international filing date but later than the priority date claimed

"T" later document published after the international filing date or priority date and not in conflict with the application but cited to understand the principle or theory underlying the invention

"X" document of particular relevance; the claimed invention cannot be considered novel or cannot be considered to involve an inventive step when the document is taken alone

"Y" document of particular relevance; the claimed invention cannot be considered to involve an inventive step when the document is combined with one or more other such documents, such combination being obvious to a person skilled in the art.

"&" document member of the same patent family

Date of the actual completion of the international search

31 October 2006

Date of mailing of the international search report

12 FEB 2007

Name and mailing address of the ISA/
European Patent Office, P.B. 5818 Patentlaan 2
NL - 2280 HV Rijswijk
Tel. (+31-70) 340-2040, Tx. 31 651 epo nl,
Fax: (+31-70) 340-3016

Authorized officer

de Beurs, Marco

INTERNATIONAL SEARCH REPORT

International application No

PCT/GB2006/002842

C(Continuation). DOCUMENTS CONSIDERED TO BE RELEVANT		
Category*	Citation of document, with indication, where appropriate, of the relevant passages	Relevant to claim No.
X	<p>JP 60 044637 A (EBARA MFG) 9 March 1985 (1985-03-09)</p> <p>figures 1-3</p> <p>-----</p>	<p>1,3-5,7, 10,11, 13, 15-22, 25,27, 37-39</p>
X	<p>EP 1 120 583 A (BARANGER CLAUDE [FR]) 1 August 2001 (2001-08-01)</p> <p>figures a,b</p> <p>-----</p>	<p>1,3-6, 11,12, 17-22, 25-27, 37-39</p>
X	<p>MUELLER H W ED - RAUH K: "DIE UMLAUFGETRIEBE" PRAKTISCHE GETRIEBELEHRE. KEILKETTE, BERLIN, SPRINGER, DE, vol. TEIL 2, 1971, page COMPLETE255, XP002061956 pages 80,81, paragraph 22; figures 21,24,34,39</p> <p>-----</p>	<p>1,4-9, 11,14, 23,24</p>

INTERNATIONAL SEARCH REPORT

International application No.
PCT/GB2006/002842

Box II Observations where certain claims were found unsearchable (Continuation of item 2 of first sheet)

This International Search Report has not been established in respect of certain claims under Article 17(2)(a) for the following reasons:

1. Claims Nos.:
because they relate to subject matter not required to be searched by this Authority, namely:

2. Claims Nos.:
because they relate to parts of the International Application that do not comply with the prescribed requirements to such an extent that no meaningful International Search can be carried out, specifically:

3. Claims Nos.:
because they are dependent claims and are not drafted in accordance with the second and third sentences of Rule 6.4(a).

Box III Observations where unity of invention is lacking (Continuation of item 3 of first sheet)

This International Searching Authority found multiple inventions in this international application, as follows:

see additional sheet

1. As all required additional search fees were timely paid by the applicant, this International Search Report covers all searchable claims.

2. As all searchable claims could be searched without effort justifying an additional fee, this Authority did not invite payment of any additional fee.

3. As only some of the required additional search fees were timely paid by the applicant, this International Search Report covers only those claims for which fees were paid, specifically claims Nos.:

4. No required additional search fees were timely paid by the applicant. Consequently, this International Search Report is restricted to the invention first mentioned in the claims; it is covered by claims Nos.:

1-27, 37-40

Remark on Protest

- The additional search fees were accompanied by the applicant's protest.
- No protest accompanied the payment of additional search fees.

FURTHER INFORMATION CONTINUED FROM PCT/ISA/ 210

This International Searching Authority found multiple (groups of) inventions in this international application, as follows:

1. claims: 1-22,25-27,37-40

An apparatus for transmission of rotation with several layouts of the gears.

1.1. claims: 23,24

An apparatus for transmission of rotation, whereby the number of teeth on the eccentric gear portion is one less than the number of teeth on the gear member.

2. claim: 28

An apparatus for transmission of rotation, whereby the first and second eccentric gear portions are coupled to each other by way of a coupling.

3. claims: 29,41-47

An apparatus for transmission of rotation, whereby the first and second eccentric gear portions are coupled by a ratchet mechanism for rotation in one direction, but not in the other direction.

4. claims: 30-36

An apparatus for transmission of rotation comprising means for balancing the apparatus.

INTERNATIONAL SEARCH REPORT

Information on patent family members

International application No

PCT/GB2006/002842

Patent document cited in search report	Publication date	Patent family member(s)	Publication date
DE 2148908	A1	06-04-1972	BE 773393 A1 31-01-1972
			ES 395617 A1 16-11-1973
			FR 2109907 A5 26-05-1972
			NL 7113461 A 05-04-1972

DE 3606240	A1	09-07-1987	ES 8700397 A1 01-01-1987
			FR 2592121 A1 26-06-1987

JP 60044637	A	09-03-1985	NONE

EP 1120583	A	01-08-2001	FR 2804191 A1 27-07-2001
