

(19) World Intellectual Property Organization
International Bureau



(10) International Publication Number
WO 2008/153816 A3

(43) International Publication Date
18 December 2008 (18.12.2008)

(51) International Patent Classification:
G01P 21/00 (2006.01)

(21) International Application Number:
PCT/US2008/006790

(22) International Filing Date:
29 May 2008 (29.05.2008)

(25) Filing Language: English

(26) Publication Language: English

(30) Priority Data:
11/757,019 1 June 2007 (01.06.2007) US

(71) Applicant (for all designated States except US):
GILBARCO INC. [US/US]; 7300 W. Friendly Ave.,
Greensboro, NC 27410 (US).

(72) Inventors: NANAJI, Seifollah, H.; 426 N. Quincy
Street, Hinsdale, IL 60521 (US). McSPADDEN, John,
Steve; 826 Brett Court, Kernersville, NC 27284 (US).
JOHNSON, Gordon, Wayne; 8201 Trottington Road,
Stokesdale, NC 27357 (US).

(74) Agents: DUKES, Mark, C. et al.; Nelson Mullins Riley
& Scarborough LLP, 1320 Main St., Columbia, SC 29201
(US).

(81) Designated States (unless otherwise indicated, for every
kind of national protection available): AE, AG, AL, AM,
AO, AT, AU, AZ, BA, BB, BG, BH, BR, BW, BY, BZ,
CA, CH, CN, CO, CR, CU, CZ, DE, DK, DM, DO, DZ,
EC, EE, EG, ES, FI, GB, GD, GE, GH, GM, GT, HN,
HR, HU, ID, IL, IN, IS, JP, KE, KG, KM, KN, KP, KR,
KZ, LA, LC, LK, LR, LS, LT, LU, LY, MA, MD, ME,
MG, MK, MN, MW, MX, MY, MZ, NA, NG, NI, NO,
NZ, OM, PG, PH, PL, PT, RO, RS, RU, SC, SD, SE, SG,
SK, SL, SM, SV, SY, TJ, TM, TN, TR, TT, TZ, UA, UG,
US, UZ, VC, VN, ZA, ZM, ZW.

(84) Designated States (unless otherwise indicated, for every
kind of regional protection available): ARIPO (BW, GH,
GM, KE, LS, MW, MZ, NA, SD, SL, SZ, TZ, UG, ZM,
ZW), Eurasian (AM, AZ, BY, KG, KZ, MD, RU, TJ,
TM), European (AT, BE, BG, CH, CY, CZ, DE, DK, EE,
ES, FI, FR, GB, GR, HR, HU, IE, IS, IT, LT, LU, LV,
MC, MT, NL, NO, PL, PT, RO, SE, SI, SK, TR), OAPI
(BF, BJ, CF, CG, CI, CM, GA, GN, GQ, GW, ML, MR,
NE, SN, TD, TG).

Published:
— with international search report (Art. 21(3))

(88) Date of publication of the international search report:
30 December 2009

(54) Title: SYSTEM AND METHOD FOR AUTOMATED CALIBRATION OF A FUEL FLOW METER IN A FUEL DIS-
PENSER

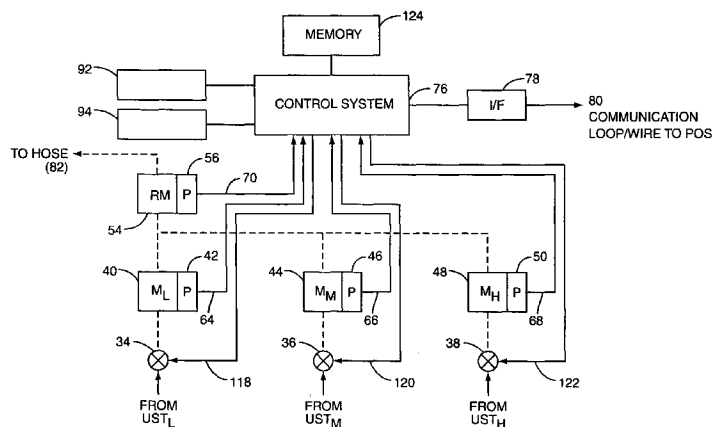


FIG. 3

(57) Abstract: Methods, systems, and computer program products for using a reference meter to provide automated calibration for a fuel dispenser are disclosed. According to one method, first historical metering data associated with a fuel flow meter and second historical metering data associated with a reference meter are maintained within a memory. The first historical metering data is compared with the second historical metering data. It is determined whether a difference exists between the first historical metering data and the second historical metering data that can be corrected by calibration of the fuel flow meter. In response to determining that a difference exists between the first historical metering data and the second historical metering data that can be corrected by calibration of the fuel flow meter, an automated calibration of the fuel flow meter is performed.

WO 2008/153816 A3

INTERNATIONAL SEARCH REPORT

International application No.

PCT/US2008/006790

A. CLASSIFICATION OF SUBJECT MATTER IPC(8) - G01P 21/00 (2008.04) USPC - 73/1.34 According to International Patent Classification (IPC) or to both national classification and IPC		
B. FIELDS SEARCHED Minimum documentation searched (classification system followed by classification symbols) IPC(8) - G01P 21/00 (2008.04) USPC - 73/1.34 Documentation searched other than minimum documentation to the extent that such documents are included in the fields searched Electronic data base consulted during the international search (name of data base and, where practicable, search terms used) MicroPatent, IP.com, DialogPro		
C. DOCUMENTS CONSIDERED TO BE RELEVANT		
Category*	Citation of document, with indication, where appropriate, of the relevant passages	Relevant to claim No.
Y	US 6,505,134 B2 (POLESHUK et al) 07 January 2003 (07.01.2003) entire document	1-42
Y	US 6,170,539 B1 (POPE et al) 09 January 2001 (09.01.2001) entire document	1-42
Y	US 5,469,750 A (LLOYD et al) 28 November 1995 (28.11.1995) entire document	7-8 and 28-29
Y	US 7,107,169 B2 (VARY) 12 September 2006 (12.09.2006) entire document	13 and 34
<input type="checkbox"/> Further documents are listed in the continuation of Box C. <input type="checkbox"/>		
* Special categories of cited documents: "A" document defining the general state of the art which is not considered to be of particular relevance "E" earlier application or patent but published on or after the international filing date "L" document which may throw doubts on priority claim(s) or which is cited to establish the publication date of another citation or other special reason (as specified) "O" document referring to an oral disclosure, use, exhibition or other means "P" document published prior to the international filing date but later than the priority date claimed "T" later document published after the international filing date or priority date and not in conflict with the application but cited to understand the principle or theory underlying the invention "X" document of particular relevance; the claimed invention cannot be considered novel or cannot be considered to involve an inventive step when the document is taken alone "Y" document of particular relevance; the claimed invention cannot be considered to involve an inventive step when the document is combined with one or more other such documents, such combination being obvious to a person skilled in the art "&" document member of the same patent family		
Date of the actual completion of the international search 05 August 2008		Date of mailing of the international search report 11 AUG 2008
Name and mailing address of the ISA/US Mail Stop PCT, Attn: ISA/US, Commissioner for Patents P.O. Box 1450, Alexandria, Virginia 22313-1450 Facsimile No. 571-273-3201		Authorized officer: Blaine R. Copenheaver PCT Helpdesk: 571-272-4300 PCT OSP: 571-272-7774