



US0D1046005S

(12) **United States Design Patent**
Chen et al.

(10) **Patent No.:** **US D1,046,005 S**

(45) **Date of Patent:** **** Oct. 8, 2024**

(54) **TOY WATER BALL**
(71) Applicant: **Dongguan Saienchuangke Technology Co., Ltd**, Dongguan (CN)

D442,655 S 5/2001 Schneider
D504,979 S 5/2005 Lai
D520,578 S 5/2006 Chen
D571,874 S 6/2008 Krysiak

(Continued)

(72) Inventors: **Yunfeng Chen**, Dongguan (CN);
Lixiang Liao, Dongguan (CN)

FOREIGN PATENT DOCUMENTS

(73) Assignee: **Dongguan Saienchuangke Technology Co., Ltd**, Dongguan (CN)

EM 009089014-0001 7/2022
EM 009141773-0001 8/2022
GB 6232828 10/2022

(**) Term: **15 Years**

OTHER PUBLICATIONS

(21) Appl. No.: **29/934,364**

(22) Filed: **Mar. 25, 2024**

“Soppycid Reusable Magnetic Water Balloons : 16 Pack Refillable Water Bomb Splash Balls Self Sealing” amazon.com, post Published: Unavailable. Retrieved Apr. 29, 2024. Available online at URL: https://www.amazon.com/Reusable-Balloons-Smasiagon-Refillable-Latex-Free/dp/B0B6ZH2F5F/ref=sr_1_11_sspa?crid=Year: 2024.*

(Continued)

Related U.S. Application Data

(63) Continuation of application No. 17/549,920, filed on Dec. 14, 2021.

(51) **LOC (14) Cl.** **21-01**
(52) **U.S. Cl.**

USPC **D21/440**
CPC **A63H 33/18** (2013.01); **A63H 33/046** (2013.01); **A63B 39/06** (2013.01)

(58) **Field of Classification Search**

USPC D21/301, 320, 324, 333, 398, 436–455,
D21/458, 461, 470, 564–566, 572, 608;
D14/411–416, 388, 418
CPC A63H 23/10; A63H 33/18
See application file for complete search history.

Primary Examiner — Christian P. McLean
Assistant Examiner — Jessica Lynn Devibiss
(74) *Attorney, Agent, or Firm* — Andrew C. Cheng

(57) **CLAIM**

The ornamental design for a toy water ball, as shown and described.

DESCRIPTION

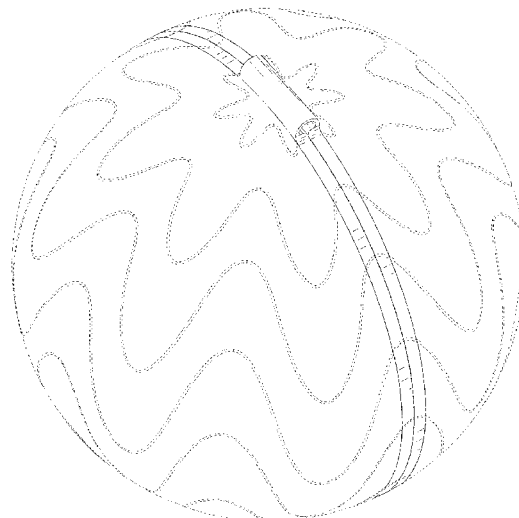
FIG. 1 is a perspective view of a toy water ball in the closed state showing our new design; FIG. 2 is another perspective view thereof, showing the toy water ball in an open state; and, FIG. 3 is an enlarged view of encircled portion 3 of FIG. 2. The broken lines in the drawings depict portions of the toy water ball that form no part of the claimed design. The dot-dash broken lines in FIGS. 2 and 3 illustrate the periphery of the enlarged views of the toy water ball and form no part of the claimed design.

1 Claim, 3 Drawing Sheets

(56) **References Cited**

U.S. PATENT DOCUMENTS

2,780,029 A 2/1957 Anthony
3,099,450 A 7/1963 Randall
4,212,460 A 7/1980 Kraft
D335,906 S 5/1993 Hellerman
D354,102 S 1/1995 Lehman
D356,355 S 3/1995 Martin
D387,805 S 12/1997 Hsu
D393,016 S 3/1998 Young



(56)

References Cited

U.S. PATENT DOCUMENTS

D577,390	S	9/2008	Collier	
D602,100	S	10/2009	Wills	
D621,455	S	8/2010	Chernick et al.	
D631,204	S	1/2011	Dubitsky et al.	
D639,360	S	6/2011	Lederman et al.	
D645,922	S	9/2011	Wu	
D648,405	S	11/2011	Wu	
D656,997	S	4/2012	Levin et al.	
8,439,773	B2	5/2013	Silagy	
D686,673	S	7/2013	Soriano et al.	
D703,765	S	4/2014	Montes et al.	
D726,028	S	4/2015	Thompson	
D762,329	S	7/2016	Teller et al.	
D849,508	S	5/2019	Shorr	
D927,799	S *	8/2021	Zhou	D30/160
D951,548	S	5/2022	Teller et al.	
D976,349	S	1/2023	Zittel et al.	
D981,513	S *	3/2023	Su	D21/713
D999,837	S *	9/2023	Li	D21/440
D999,856	S *	9/2023	Peng	D21/713
D1,003,366	S *	10/2023	Chen	D21/713
11,786,835	B1 *	10/2023	Xiong	A63H 33/26 446/267
D1,005,404	S *	11/2023	Li	D21/439
D1,026,139	S *	5/2024	Chen	D21/713
2004/0102131	A1	5/2004	Orlowski	
2005/0009438	A1	1/2005	Chojnacki et al.	
2011/0003655	A1 *	1/2011	Chernick	A63B 39/00 446/491
2015/0080155	A1	3/2015	Bulfin	
2018/0229885	A1	8/2018	Mowbray et al.	
2019/0036360	A1	1/2019	Zilles et al.	
2020/0015454	A1	1/2020	Sporn	
2021/0387105	A1	12/2021	Greenwood	
2022/0203256	A1 *	6/2022	Chen	A63B 39/08

OTHER PUBLICATIONS

“Reusable Magnetic Water Balloons, No Tying Easy Quick Fill, Summer Water” amazon.com, post Published: Unavailable. Retrieved Apr. 15, 2024. Available online at URL: https://www.amazon.com/Reusable-Magnetic-Balloons-Refillable-Backyard%2C-Bath/dp/B0C7MQ5RQB/ref=sxbs_pa_sp_search_thematic (Year: 2024).
 Assorted Various Striped Vector 3D Ball With Straight and Wavy Lines Pattern Set, dreamstime.com, [online], [site visited May 11, 2023], available from the Internet, URL: <https://www.dreamstime.com/assorted-various-striped-vector-3d-balls-different-positions-straight-wavy-lines-pattern-set-isolated-white-image235647695> (Year: 2023); 1 page.
 Wavy Ball Water Feature Terrazzo, serenitywatergardens.com.au, [online], [site visited May 11, 2023], available from the Internet, URL: <https://serenitywatergardens.com.au/product/ball-wavy-pattern-water-feature/> (Year: 2023); 1 page.
 Sanwood Water Ball, walmart.com, [online], [site visited date Jan. 11, 2023], available on the Internet, URL: <https://www.walmart.com/ip/SANWOOD-Water-Balloon-Transparent-Refillable-Plastic-Convenient-Beach-Playing-Water-Splash-Ball-Party-Supplies/1064155618> (Year: 2023); 4 total pages.
 Titlimom Store Reusable Water balloons, amazon.com, customer review oldest date Jun. 7, 2022 [online], [site visited Jan. 4, 2023], available from the Internet, URL: <https://www.amazon.com/Reusable-balloons-Outdoor-Activities-Sealing/dp/B09ZDQW1PV> (Year: 2022); 10 total pages.
 Vending Machine Capsules, Translucent Round Capsules, amazon.com, first available Dec. 20, 2019 [online], [site visited Feb. 15, 2023], available from the Internet, URL: <https://www.amazon.com/Translucent-Round-Capsules-Plastic-Containers/dp/B08337BS4R> (Year: 2019); 9 total pages.

Reusable Water Bomb Balloons, dhgate.com, [online], [site visited Feb. 15, 2023], available from the Internet, URL: <https://www.dhgate.com/product/reusable-water-bomb-balloons-toys-quick-fill/774772027.html> (Year: 2023); 2 pages.
 Screen capture from YouTube video clip entitled “Silicone Water Balloons Sand Toys,” uploaded on May 7, 2022 by user “Sharing happy moment,” Retrieved from the Internet <[youtube.com/watch?v=ayr49gwKg9E](https://www.youtube.com/watch?v=ayr49gwKg9E)>, (Year: 2022); 1 page.
 Nerf Super Soaker Hydro Balls, amazon.com, first available Oct. 17, 2022 [online], [site visited Feb. 15, 2023], available from the Internet, URL: <https://www.amazon.com/Soaker-3-Pack-Reusable-Water-Filled-Outdoor/dp/B0BFXSWFFW> (Year: 2022); 3 total pages.
 Turbo by coastal twinkle ball motion activated, amazon.com, first available May 19, 2006 [online], [site visited Feb. 15, 2023], available from the Internet, URL: <https://www.amazon.com/Bergan-Turbo-Scratcher-Replacement-Assorted/dp/B000FSHBYK> (Year: 2006); 5 total pages.
 BarxBuddy Busy Ball Interactive Cat & Dog Toy, amazon.com, first available Apr. 21, 2022 [online], [site visited Feb. 15, 2023], available from the Internet, URL: <https://www.amazon.com/dp/B09YJ6RMR6> (Year: 2022); 3 total pages.
 5 Surprise Mini Brands Series 2 by Zuru, walmart.com, customer review oldest date Feb. 6, 2022 [online], [site visited Feb. 16, 2023], available from the Internet, URL: <https://www.walmart.com/ip/5-Surprise-Mini-Brands-Series-2-by-Zuru-3-Ball-Bundle/837452950> (Year 2022); 3 total pages.
 SmartyKat 2 Count Flicker Balls Electronic Light Up Ball Cat Toys, amazon.com, first available Dec. 9, 2021 [online], [site visited Feb. 15, 2023], available from the Internet, URL: <https://www.amazon.com/SmartyKat-Electronic-Engaging-Encourages-Exercise/dp/B09NCDRKWZ?th=1> (Year 2021); 4 total pages.
 Yizemay Reusable Water Balloons, amazon.co.uk, first available May 5, 2022 [online], [site visited Feb. 15, 2023], available from the Internet, URL: <https://www.amazon.co.uk/Reusable-Balloons-Automatic-Sealing-Children/dp/B09ZKYJ95J> (Year 2022); 3 total pages.
 J-Splash Swimming Pool Balls, amazon.co.uk, first available May 9, 2022 [online], [site visited Feb. 15, 2023], available from the Internet, UR: <https://www.amazon.co.uk/J-Swimming-Reusable-Balloons-Activities/dp/B09ZVFFV3W> (Year: 2022); 2 pages.
 Examiner Interview record of the Parent U.S. Appl. No. 29/777,659, issued on Jan. 16, 2024.
 Novelty Christmas silver Ball Ornament, etsy.com, customer review oldest date Nov. 2, 2021 [online], [site visited Feb. 16, 2023], available from the Internet, URL: <https://www.etsy.com/listing/667000155/novelty-christmas-silver-ball-ornament> (Year: 2021); 4 total pages.
 U.S. Pat. No. 503,387, issued Aug. 15, 1893, for “Toy,” to M. Schofield.
 WRRTOO 10 Pack Reusable Water Balloons, amazon.com, customer review oldest date Feb. 8, 2020 [online], [site visited Feb. 16, 2023], Available from Internet, URL: <https://www.amazon.com/Reusable-Balloons-Sealing-Magnetic-Refillable/dp/B0B56H258K> (Year: 2020); 6 total pages.
 Giftours Reusable Water Balloons, amazon.com, customer review oldest date Jun. 10, 2022 [online], [site visited Feb. 16, 2023], Available from Internet, URL: <https://www.amazon.com/GIFTOURS-Reusable-Balloons-Sealing-Refillable/dp/B0B1MC179Y> (Year: 2022); 4 total pages.
 Soppycid Reusable Water Balloons, amazon.com, customer review oldest date Jun. 7, 2022 [online], [site visited Feb. 16, 2023], Available from Internet, URL: <https://www.amazon.com/Reusable-Balloons-Latex-Free-Self-Sealing-Activities/dp/B0B4WFHDW9> (Year: 2022); 12 total pages.
 U.S. Pat. No. 309,032, issued December 9, 1884, for “Life Preserver,” to Z. N. De Ledochowski.

* cited by examiner



FIG. 1

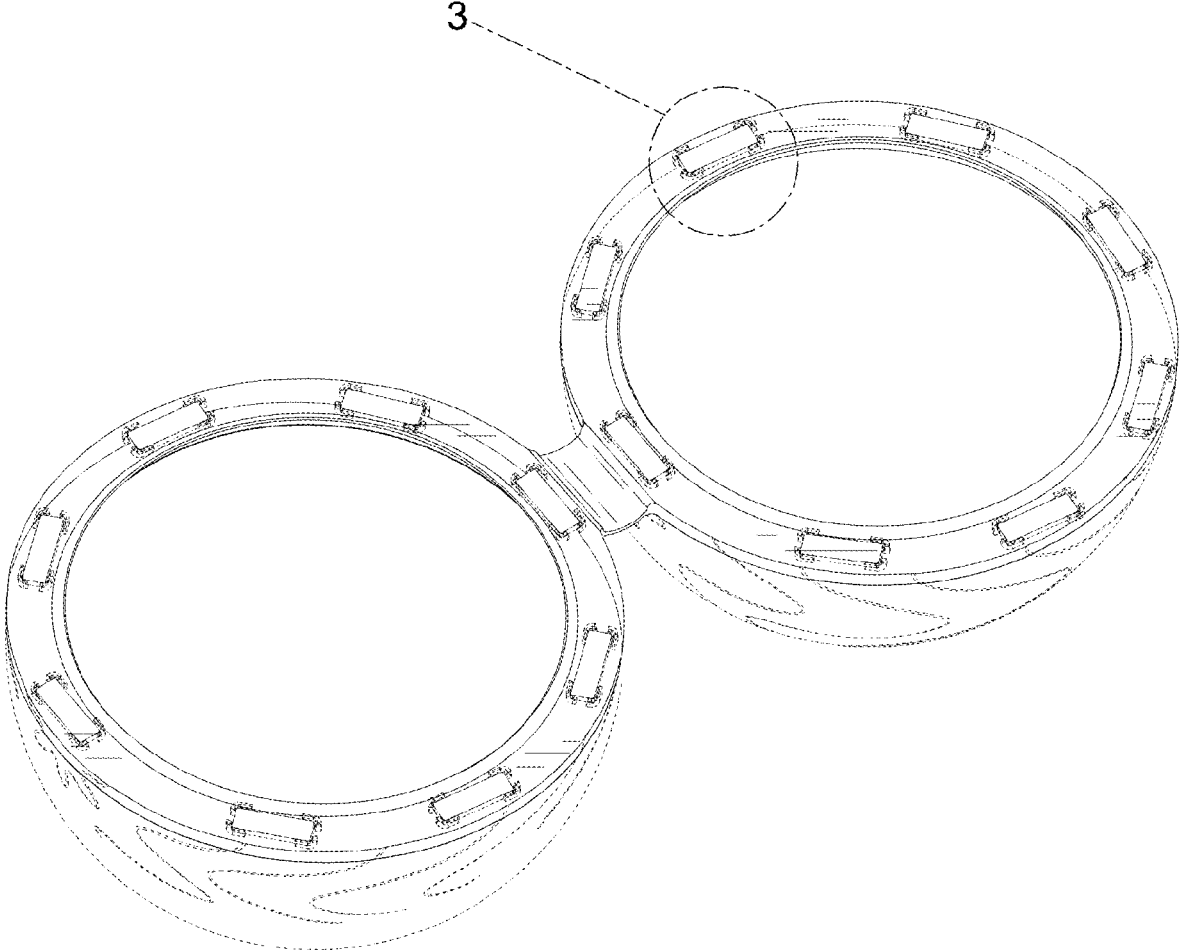


FIG. 2

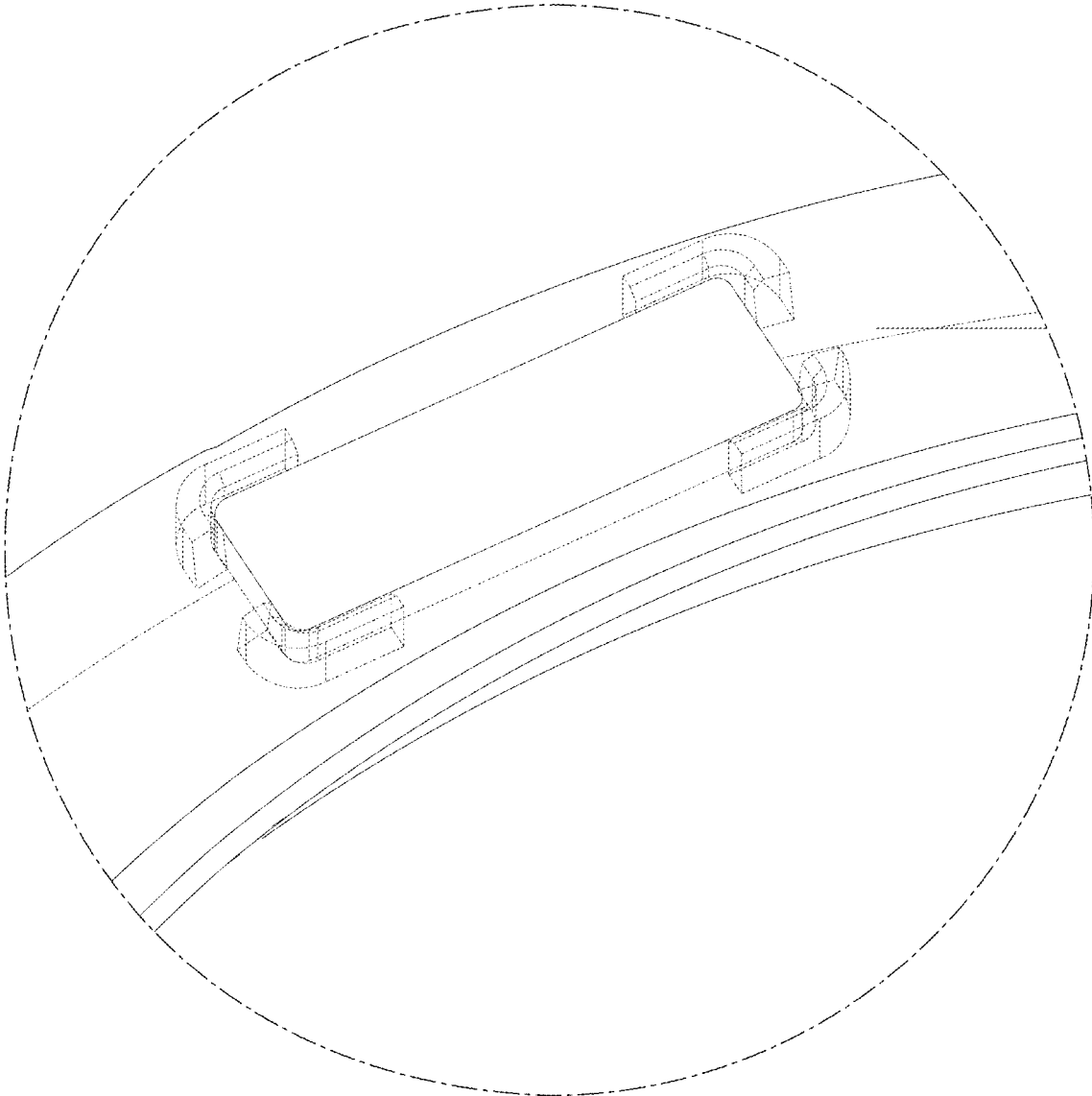


FIG. 3