



US00D790769S

(12) **United States Design Patent**
Drori

(10) **Patent No.:** **US D790,769 S**

(45) **Date of Patent:** **** Jun. 27, 2017**

- (54) **WET-SHAVE RAZOR GUARD**
- (71) Applicant: **Eran Drori**, Los Angeles, CA (US)
- (72) Inventor: **Eran Drori**, Los Angeles, CA (US)
- (**) Term: **15 Years**
- (21) Appl. No.: **29/551,395**
- (22) Filed: **Jan. 13, 2016**
- (51) **LOC (10) Cl.** **28-03**
- (52) **U.S. Cl.**
USPC **D28/54**
- (58) **Field of Classification Search**
USPC D28/49-54
CPC . B26B 21/40; B26B 21/4018; B26B 21/4025;
B26B 21/42; B26B 21/4043; B26B
19/3813; B26B 19/20
See application file for complete search history.

- 2008/0184565 A1* 8/2008 Zoot B26B 19/3813
30/196
- 2011/0214290 A1* 9/2011 Micinilio B26B 21/4018
30/32
- 2013/0042487 A1* 2/2013 Julemont B26B 19/20
30/277.4
- 2013/0199346 A1* 8/2013 Psimadas B26B 21/225
83/13
- 2014/0215832 A1* 8/2014 Julemont B26B 19/20
30/200

* cited by examiner

Primary Examiner — Jennifer Rivard
(74) *Attorney, Agent, or Firm* — Omni Legal Group
P.L.C.; Omid E. Khalifeh

(57) **CLAIM**

The ornamental design for wet-shave razor guard, as shown and described.

DESCRIPTION

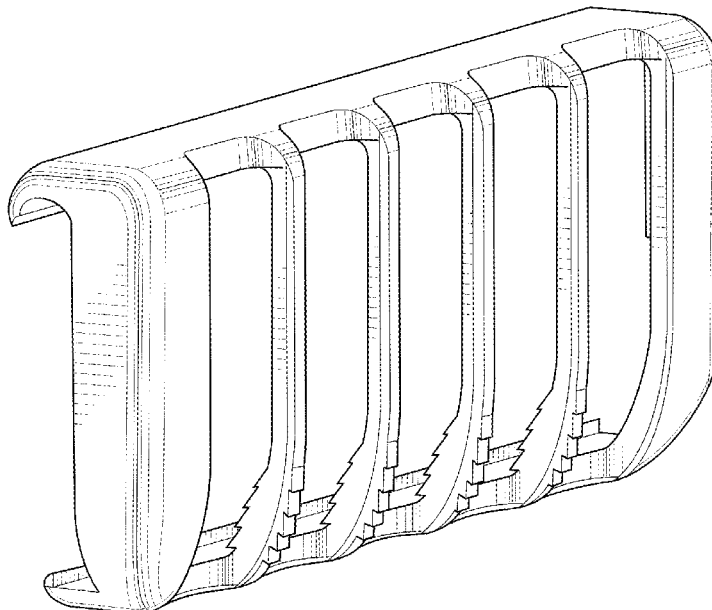
FIG. 1 is a front perspective view of a wet-shave razor guard according to the present invention;
 FIG. 2 is a rear perspective view of a wet-shave razor guard according to the present invention;
 FIG. 3 is a front elevation view of a wet-shave razor guard according to the present invention;
 FIG. 4 is a rear elevation view of a wet-shave razor guard according to the present invention;
 FIG. 5 is a top plan view of a wet-shave razor guard according to the present invention;
 FIG. 6 is a bottom plan view of a wet-shave razor guard according to the present invention;
 FIG. 7 is a right side elevation view of a wet-shave razor guard according to the present invention; and,
 FIG. 8 is a left side elevation view of a wet-shave razor guard according to the present invention.

(56) **References Cited**

U.S. PATENT DOCUMENTS

- 2,608,756 A * 9/1952 Jepson B26B 19/20
30/286
- 7,322,109 B2 * 1/2008 Newkirk B26B 21/42
30/30
- 8,136,253 B2 * 3/2012 Zoot B26B 19/22
30/195
- D706,487 S * 6/2014 Yiu D28/54
- D753,879 S * 4/2016 Andersson D28/54
- D754,399 S * 4/2016 Andersson D28/54
- D754,400 S * 4/2016 Andersson D28/54
- 9,434,078 B2 * 9/2016 Julemont B26B 19/20
- D776,349 S * 1/2017 Skye D28/54
- 2007/0214653 A1* 9/2007 Worgull B26B 19/3813
30/195
- 2008/0047145 A1* 2/2008 Dietzel B26B 19/20
30/34.05

1 Claim, 7 Drawing Sheets



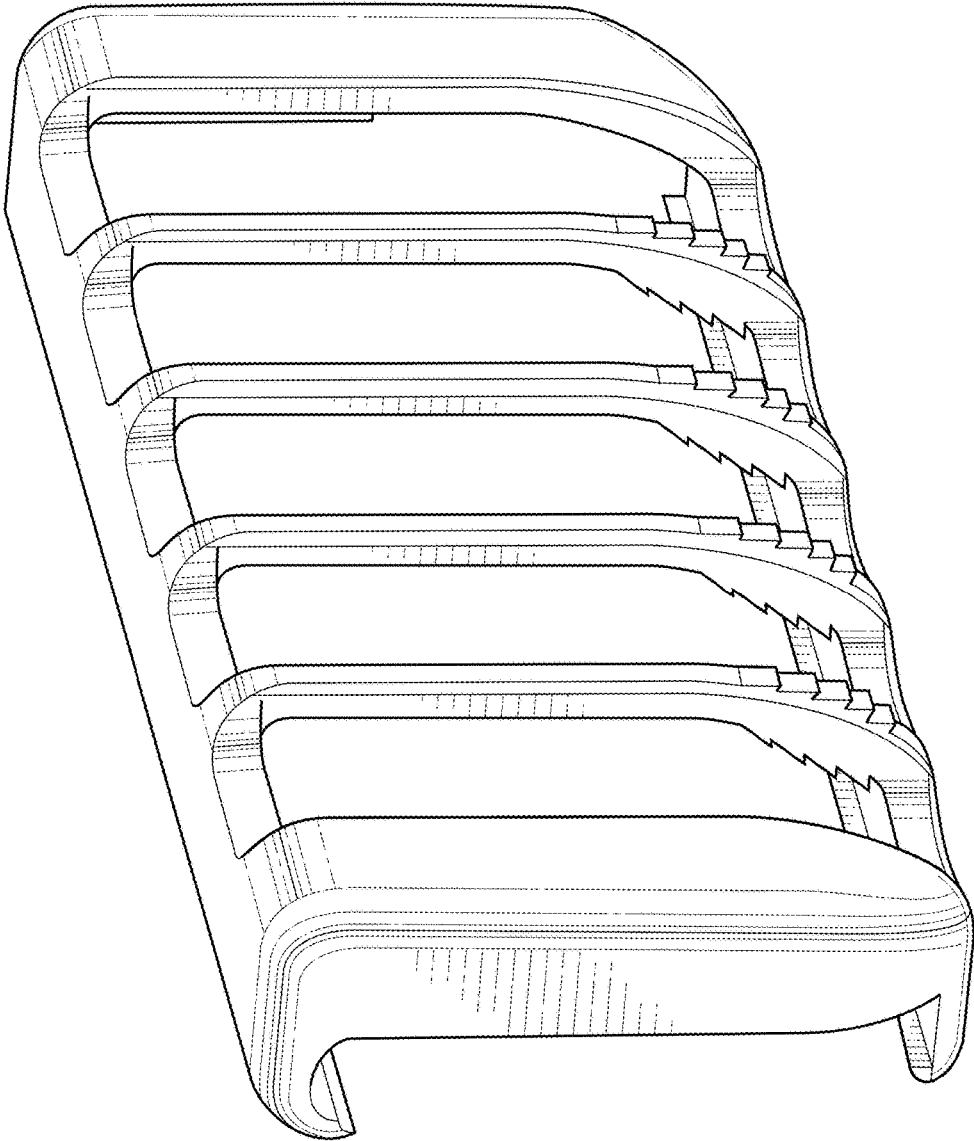


FIG. 1

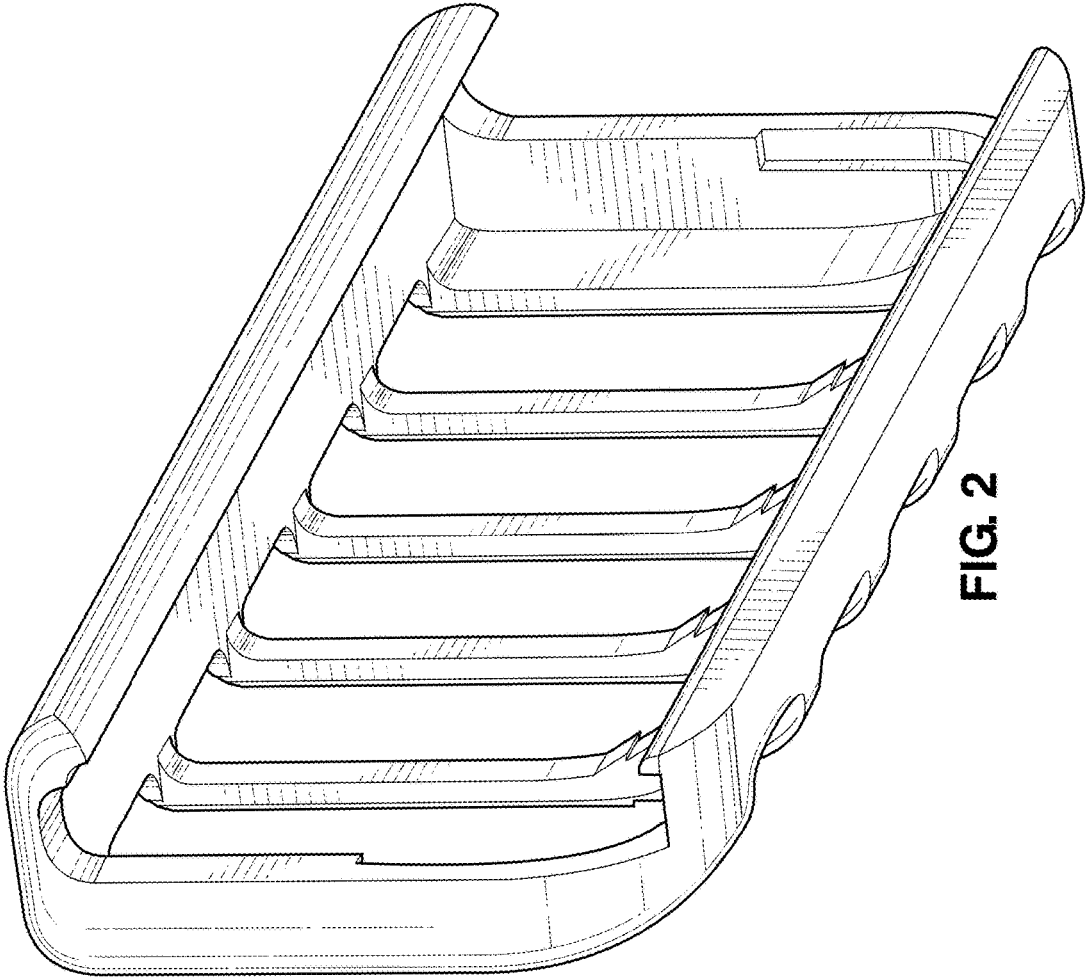


FIG. 2

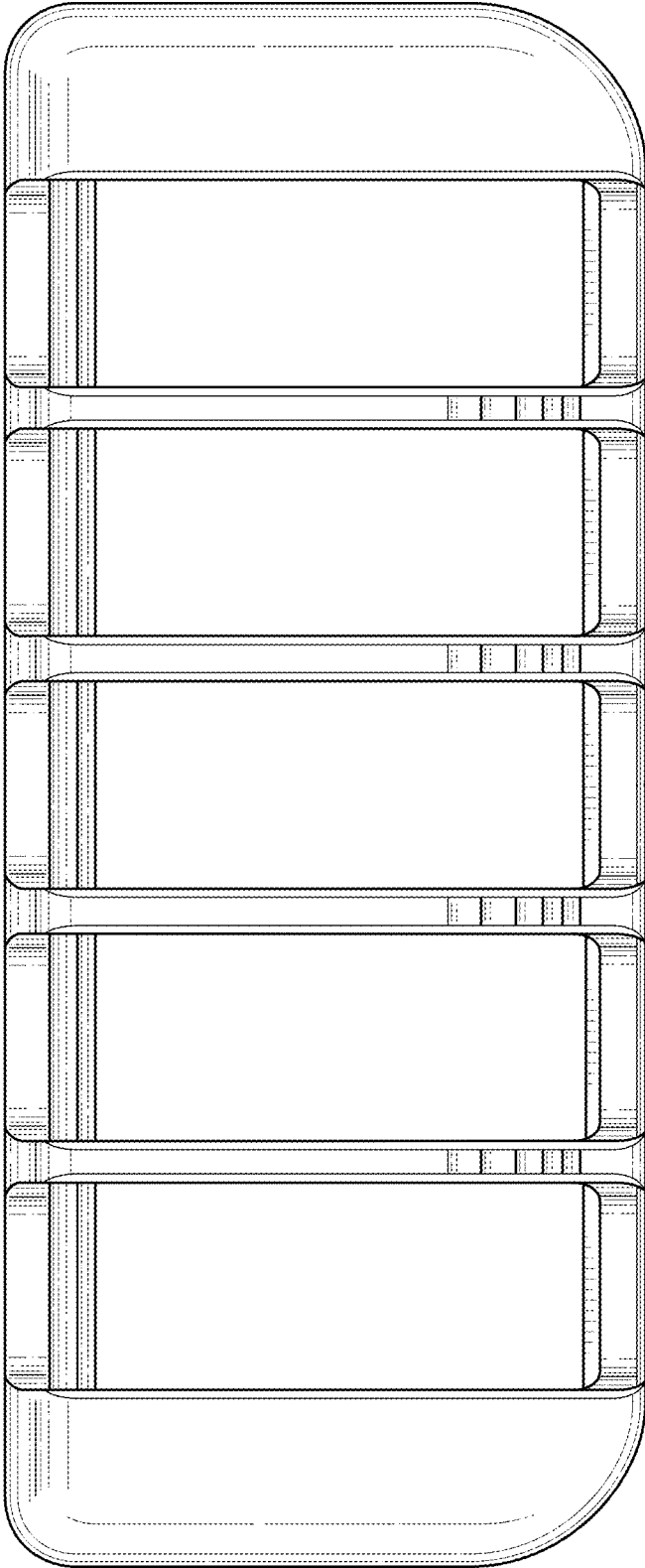


FIG. 3

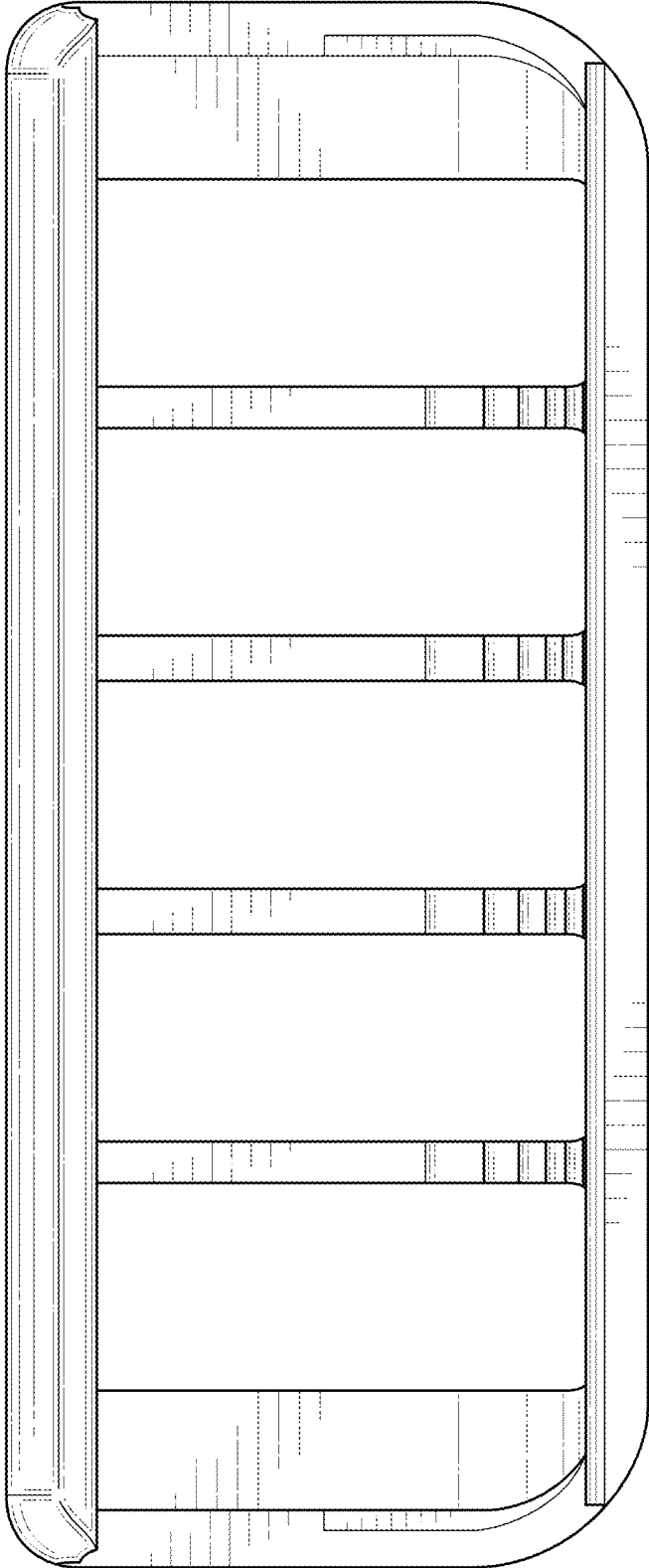


FIG. 4

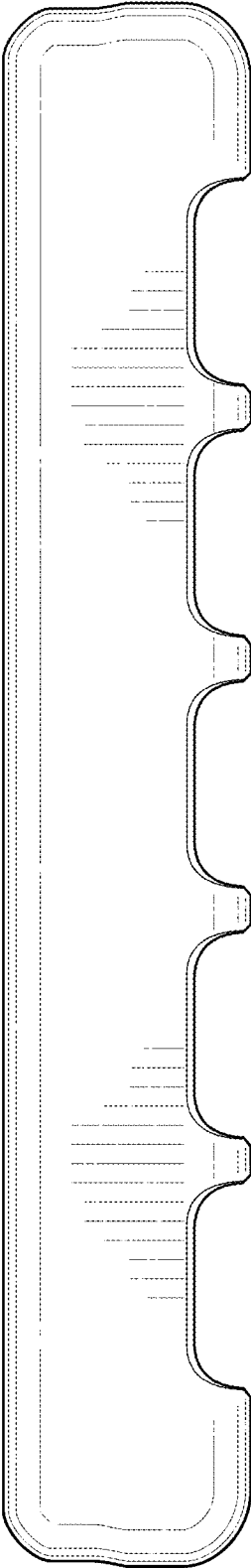


FIG. 5

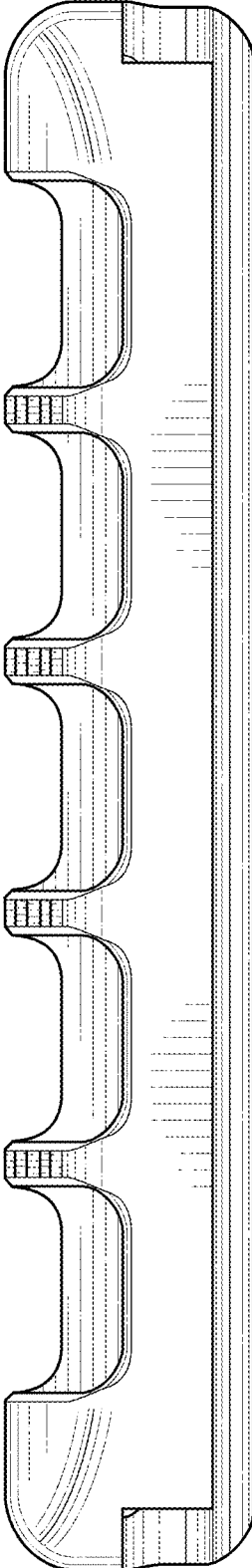


FIG. 6

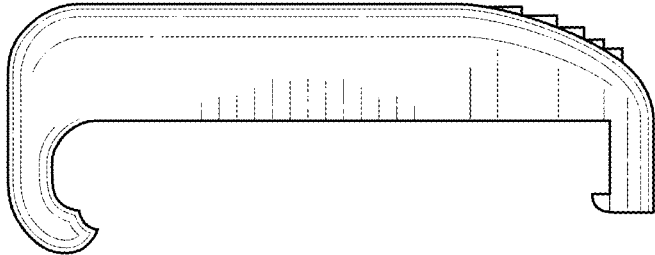


FIG. 7

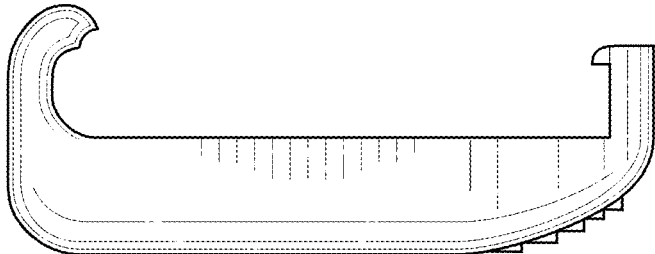


FIG. 8