



US00D839188S

(12) **United States Design Patent**
Akana et al.

(10) **Patent No.:** **US D839,188 S**
(45) **Date of Patent:** **** Jan. 29, 2019**

(54) **CHARGER**

(71) Applicant: **Apple Inc.**, Cupertino, CA (US)
(72) Inventors: **Jody Akana**, San Francisco, CA (US);
Bartley K. Andre, Palo Alto, CA (US);
Shota Aoyagi, San Francisco, CA (US);
Anthony Michael Ashcroft, San Francisco, CA (US); **Jeremy Bataillou**, San Francisco, CA (US); **Daniel J. Coster**, San Francisco, CA (US); **Daniele De Iullis**, San Francisco, CA (US); **Christopher Graham**, San Francisco, CA (US); **M. Evans Hankey**, San Francisco, CA (US); **Julian Hoenic**, San Francisco, CA (US); **Richard P. Howarth**, San Francisco, CA (US); **Jonathan P. Ive**, San Francisco, CA (US); **Duncan Robert Kerr**, San Francisco, CA (US); **Marc A. Newson**, London (GB); **Matthew Dean Rohrbach**, San Francisco, CA (US); **Peter Russell-Clarke**, San Francisco, CA (US); **Benjamin Andrew Shaffer**, San Jose, CA (US); **Mikael Silvano**, San Francisco, CA (US); **Christopher J. Stringer**, Woodside, CA (US); **Paul Thompson**, San Francisco, CA (US); **Eugene Antony Whang**, San Francisco, CA (US); **Rico Zörkendörfer**, San Francisco, CA (US)

(73) Assignee: **Apple Inc.**, Cupertino, CA (US)

(**) Term: **15 Years**

(21) Appl. No.: **29/614,596**

(22) Filed: **Aug. 21, 2017**

Related U.S. Application Data

(63) Continuation of application No. 29/536,264, filed on Aug. 14, 2015, now Pat. No. Des. 795,182.

(51) **LOC (11) Cl.** **13-02**

(52) **U.S. Cl.**
USPC **D13/108**

(58) **Field of Classification Search**
USPC D13/107-110, 118-119, 184; D14/251, D14/253, 432, 434
CPC Y02E 60/12; Y02T 90/14; Y02T 90/122; Y02T 90/128; Y02T 90/163; H02J 7/025; H02J 7/0042; H02J 7/0044; H02J 7/0045; H02J 7/0003; H01F 38/14; H01R 13/6675;

(Continued)

(56) **References Cited**

U.S. PATENT DOCUMENTS

D221,081 S 7/1971 Kahn
D399,603 S 10/1998 Hemsley, Jr. et al.

(Continued)

Primary Examiner — Rosemary K Tarcza
Assistant Examiner — Nathaniel D. Buckner
(74) *Attorney, Agent, or Firm* — Sterne, Kessler, Goldstein & Fox P.L.L.C.

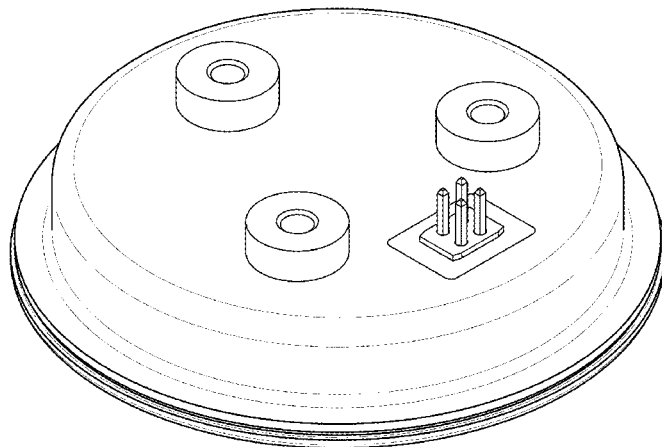
(57) **CLAIM**

The ornamental design for a charger, as shown.

DESCRIPTION

FIG. 1 is a top front perspective view of a charger showing the claimed design;
FIG. 2 is a bottom perspective view thereof;
FIG. 3 is a front view thereof;
FIG. 4 is a rear view thereof;
FIG. 5 is a right side view thereof;
FIG. 6 is a left side view thereof;
FIG. 7 is a top view thereof; and,
FIG. 8 is a bottom view thereof.

1 Claim, 8 Drawing Sheets



(58) **Field of Classification Search**
 CPC .. H01M 2/1022; H01M 2/1055; H01M 10/44;
 H01M 10/46; H01M 10/425; B60L
 11/182

See application file for complete search history.

(56) **References Cited**

U.S. PATENT DOCUMENTS

D433,994 S 11/2000 Jobs et al.
 D461,813 S 8/2002 Chang
 D523,750 S 6/2006 Lee et al.
 D533,063 S 12/2006 Lee et al.
 7,198,169 B2* 4/2007 Silk B65D 43/0229
 220/288
 D599,241 S 9/2009 Andre et al.
 D620,884 S 8/2010 Lee et al.
 D625,262 S 10/2010 Lee et al.
 D640,976 S 7/2011 Matsuoka
 D643,844 S 8/2011 Akana et al.
 D647,227 S* 10/2011 Kaule D26/24
 D652,537 S* 1/2012 Wada D26/2
 D654,431 S 2/2012 Stephanchick et al.
 D659,093 S 5/2012 Schmid et al.
 D662,939 S 7/2012 Akana et al.
 D673,110 S 12/2012 Sasada et al.
 D687,772 S 8/2013 Chikos et al.
 D694,182 S 11/2013 Lee et al.
 D697,027 S 1/2014 Ho
 D697,510 S 1/2014 Sato et al.
 D701,831 S 4/2014 Park et al.
 D704,634 S 5/2014 Eidelman et al.
 D705,815 S 5/2014 Green
 D706,212 S 6/2014 Zwierstra et al.

D718,233 S 11/2014 Aumiller et al.
 D718,234 S 11/2014 Rautiainen
 D718,236 S 11/2014 Murray
 D718,712 S 12/2014 Aumiller et al.
 D719,959 S* 12/2014 Vogel D14/447
 D720,289 S 12/2014 Chiang et al.
 D727,260 S 4/2015 Aumiller et al.
 D725,034 S 5/2015 Chen
 D735,131 S 7/2015 Akana et al.
 D741,256 S 10/2015 Murphy-Reinhertz et al.
 D747,267 S 1/2016 Aumiller et al.
 D749,044 S 2/2016 Huang
 D756,216 S 5/2016 EI-Debs et al.
 D757,010 S 5/2016 Kang et al.
 D757,014 S 5/2016 Hahn et al.
 D765,084 S 8/2016 Akana et al.
 D777,103 S 1/2017 Park
 D782,973 S 4/2017 Zhou
 D784,259 S 4/2017 Huang et al.
 D786,193 S 5/2017 Akana et al.
 D791,215 S* 7/2017 Schmidt D16/202
 D794,557 S* 8/2017 Kim D13/108
 D804,306 S* 12/2017 Simons D9/454
 D806,020 S* 12/2017 Lu D13/107
 D806,072 S* 12/2017 Gummalla D14/358
 D812,563 S* 3/2018 Akana D13/108
 D817,268 S* 5/2018 Symons D13/108
 D821,307 S* 6/2018 Calachan D13/107
 2001/0038337 A1* 11/2001 Wickstead G08B 17/10
 340/628
 2009/0134838 A1 5/2009 Raghuprasad
 2012/0104999 A1 5/2012 Teggatz et al.
 2014/0117926 A1 5/2014 Hwu et al.
 2015/0091500 A1 4/2015 Claudepierre

* cited by examiner

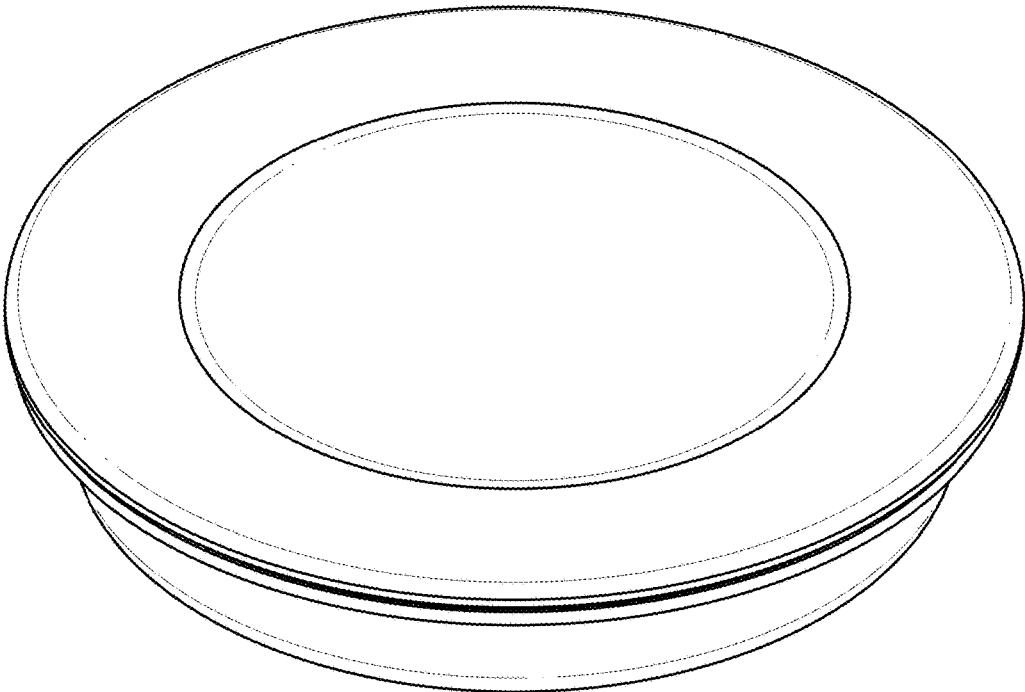


FIG. 1

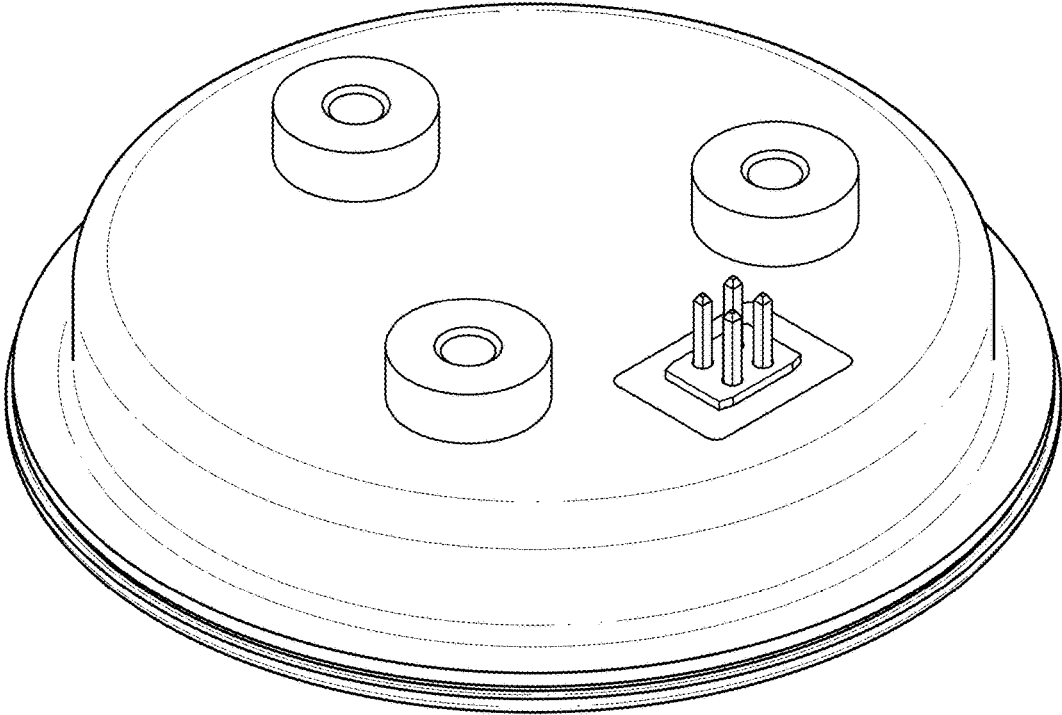


FIG. 2

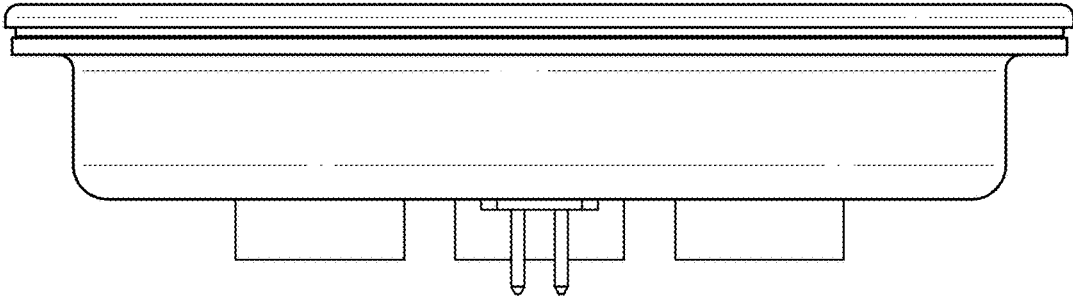


FIG. 3

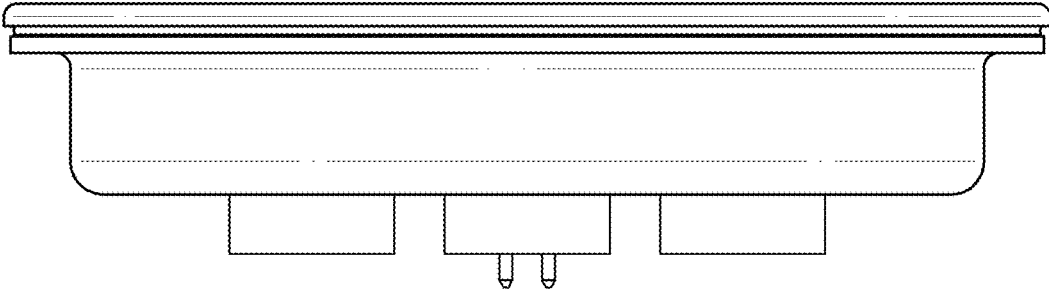


FIG. 4

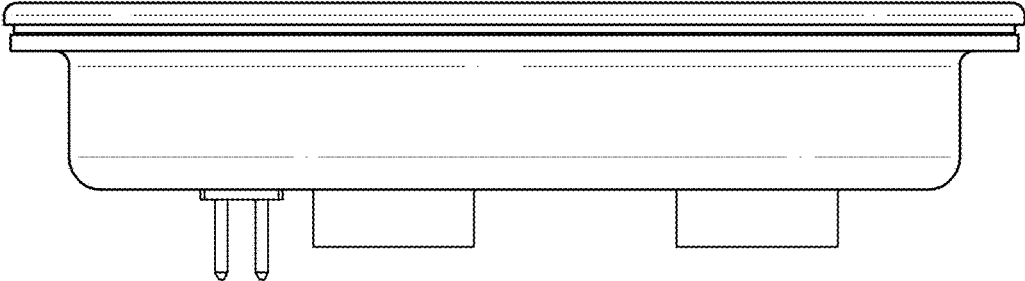


FIG. 5

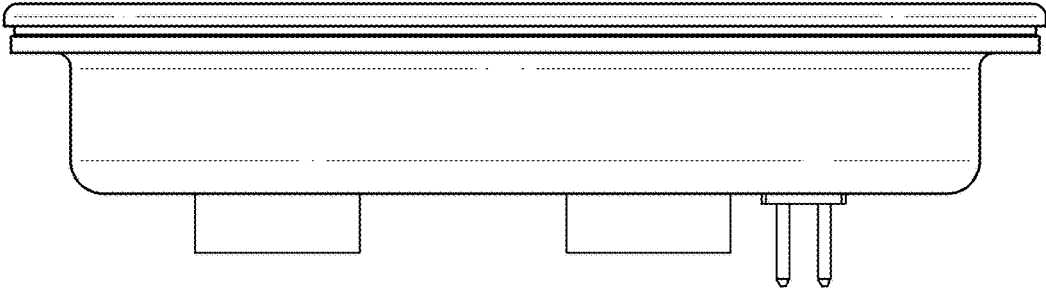


FIG. 6

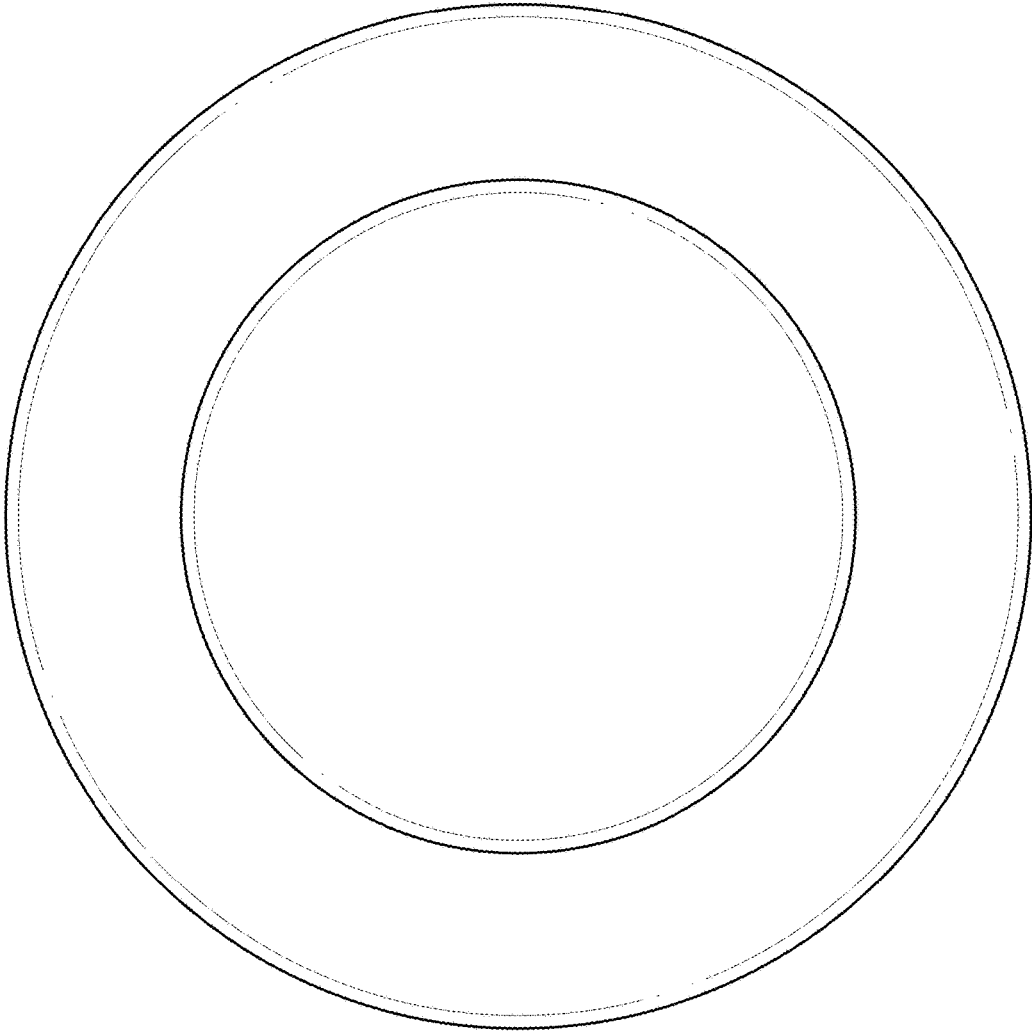


FIG. 7

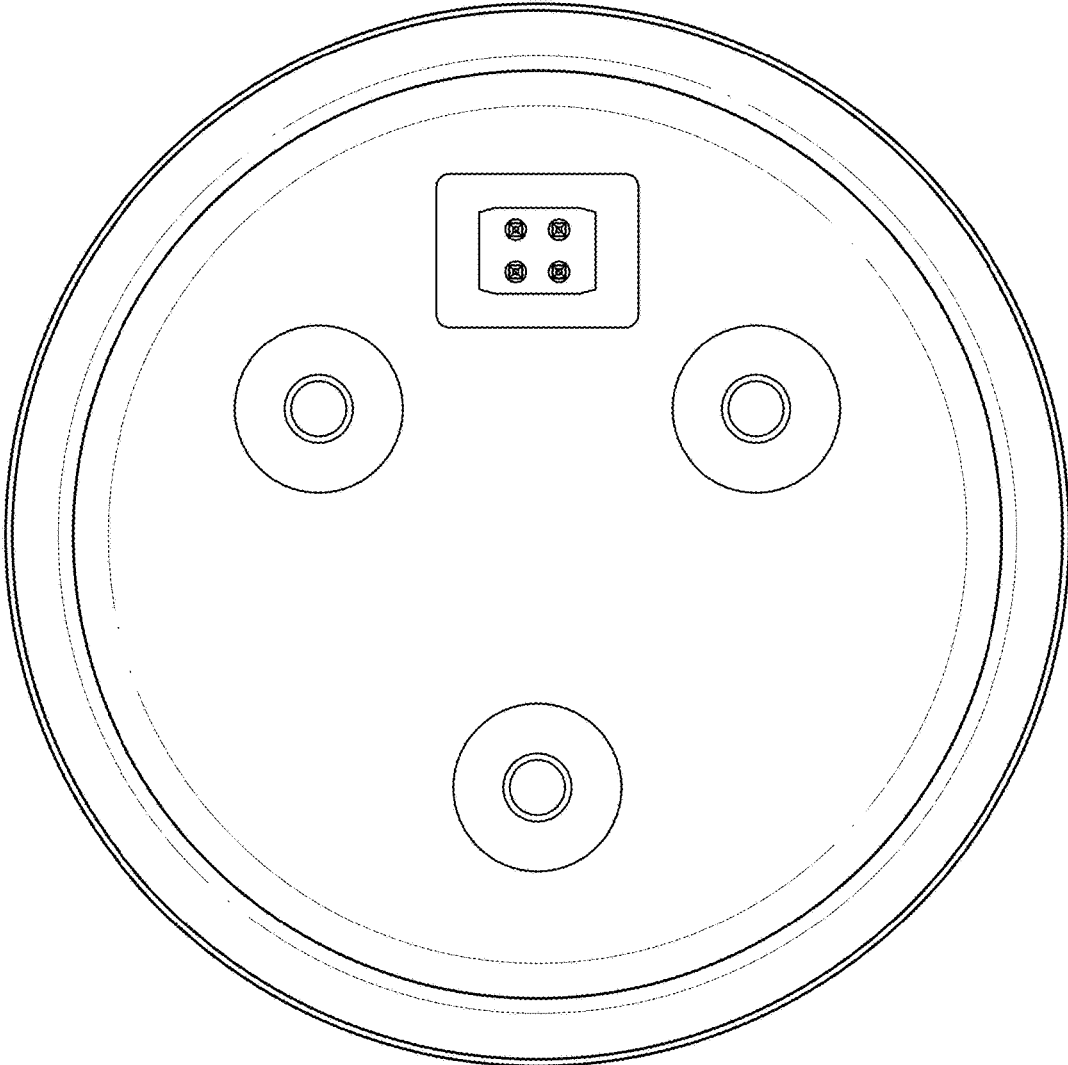


FIG. 8