



US00D347360S

United States Patent [19] Wheeler

[11] Patent Number: **Des. 347,360**
[45] Date of Patent: **** May 31, 1994**

[54] **TRAY**
[76] Inventor: **Anne Wheeler, 44 W. River St.,
Upton, Mass. 01568**
[**] Term: **14 Years**
[21] Appl. No.: **954,965**
[22] Filed: **Sep. 30, 1992**
[52] U.S. Cl. **D7/550; D7/553;
D6/420; D19/52**
[58] Field of Search **D7/500, 550, 541, 542,
D7/543, 544, 545, 546, 549, 551, 354, 552, 553,
554, 555, 556, 557, 569, 573, 567, 538, 539, 548;
D9/341, 425; 220/550, 575; D6/406, 419, 420;
248/346; 211/69.2, 126; D19/52, 88**

2,672,182 3/1954 Gwin et al. .
2,826,469 3/1958 Grant .
2,861,386 1/1958 Paulsen et al. .
2,935,209 5/1960 Fritz .
2,974,820 3/1961 Romei 220/575
3,915,528 10/1975 Glickman .
4,646,920 3/1987 Kruger D6/420 X
4,716,840 1/1988 Tringali et al. .
4,765,583 8/1988 Tenner .
5,005,702 4/1991 Davis et al. .
5,036,777 8/1991 Barton .
5,069,554 12/1991 Bonnett .
5,081,936 1/1992 Drieling .

Primary Examiner—Alan P. Douglas
Assistant Examiner—M. N. Pandozzi

[56] References Cited U.S. PATENT DOCUMENTS

D. 77,884 3/1929 Butterick et al. D7/548
D. 108,694 3/1938 Gruen D19/52
D. 136,660 11/1943 Kiser D19/52
D. 173,319 10/1954 Levenhagen D7/550
D. 178,424 7/1956 Peters D7/550
D. 195,681 7/1963 Ross D7/550
D. 218,352 8/1970 Hoch D7/550
D. 263,361 3/1982 Johnson et al. D6/420 X
D. 276,732 12/1984 Marquez D19/52
D. 283,474 4/1986 Appel D6/419 X
D. 315,366 3/1991 Greenspahn D19/88 X
D. 316,727 5/1991 Greenspahn D17/88 X
D. 326,795 6/1992 Reitz et al. D7/550 X
D. 327,998 7/1992 Williams D6/420 X
D. 335,227 5/1993 Lapsker et al. D6/406 X
126,374 5/1872 Bonington .
1,135,269 4/1915 Dudley .
1,436,859 11/1922 Bush .
1,878,864 6/1931 Lane et al. .
2,489,084 11/1949 Ducey .

[57] CLAIM

The ornamental design for a tray, as shown and described.

DESCRIPTION

FIG. 1 is a perspective view of a tray showing my new design;
FIG. 2 is a top plan view thereof;
FIG. 3 is a bottom plan view thereof;
FIG. 4 is a right side elevational view thereof, the left side elevational view being a mirror image;
FIG. 5 is a front elevational view thereof;
FIG. 6 is a rear elevational view thereof;
FIG. 7 is a top perspective view of the tray as secured to the edge of a table top when using the tray for eating purposes; and,
FIG. 8 is a top perspective view of the tray as positioned on a table or floor when using the tray for drawing purposes.
The broken line showing of a portion of a table top, a girl with a cup and chair in FIG. 7, and a girl with paper and crayons in FIG. 8 is for illustrative purposes only and forms no part of the claimed design.

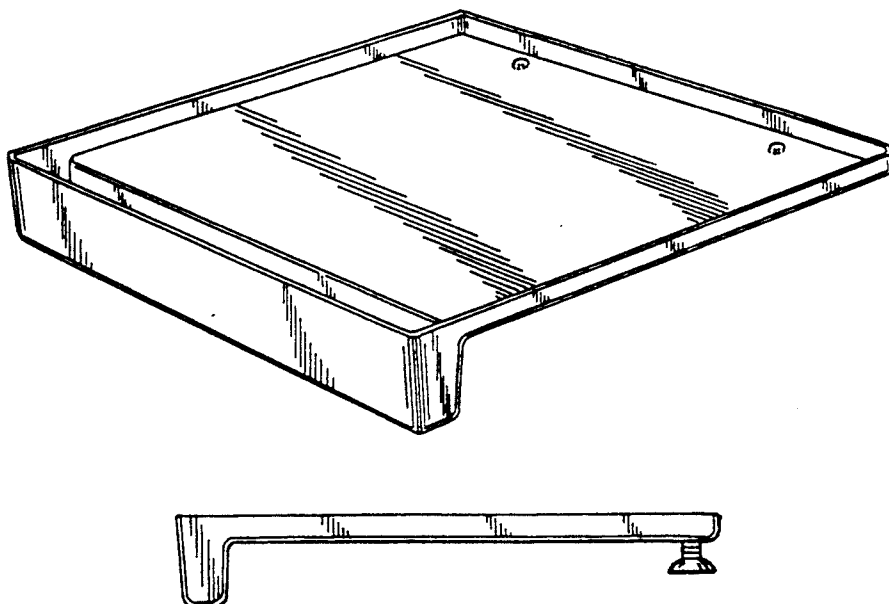


FIG. 1

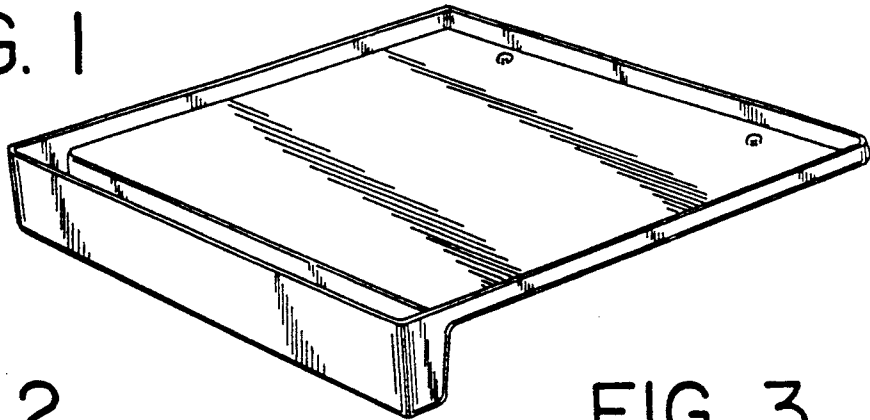


FIG. 2

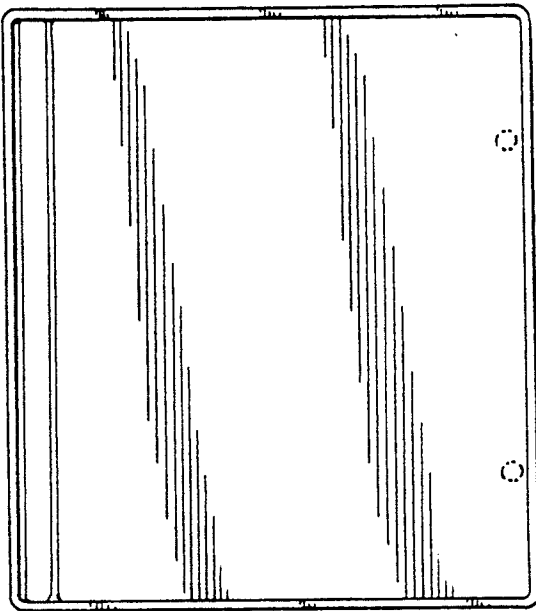


FIG. 3

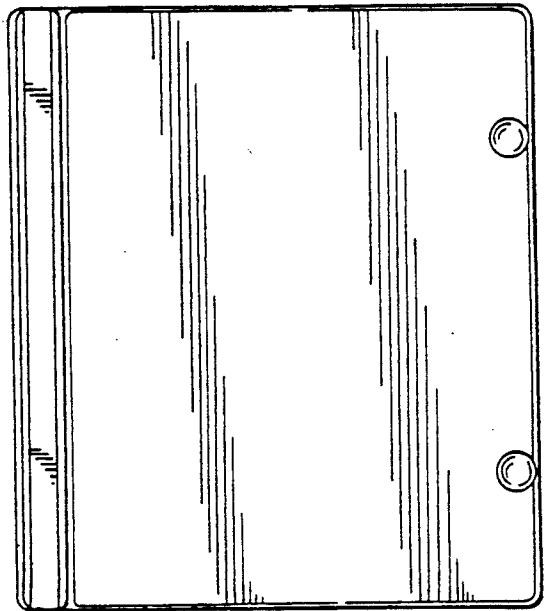


FIG. 4

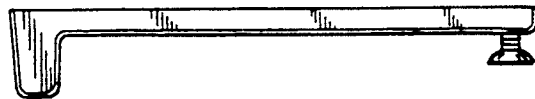


FIG. 5

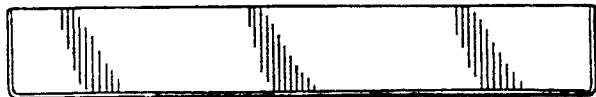


FIG. 6



FIG. 7

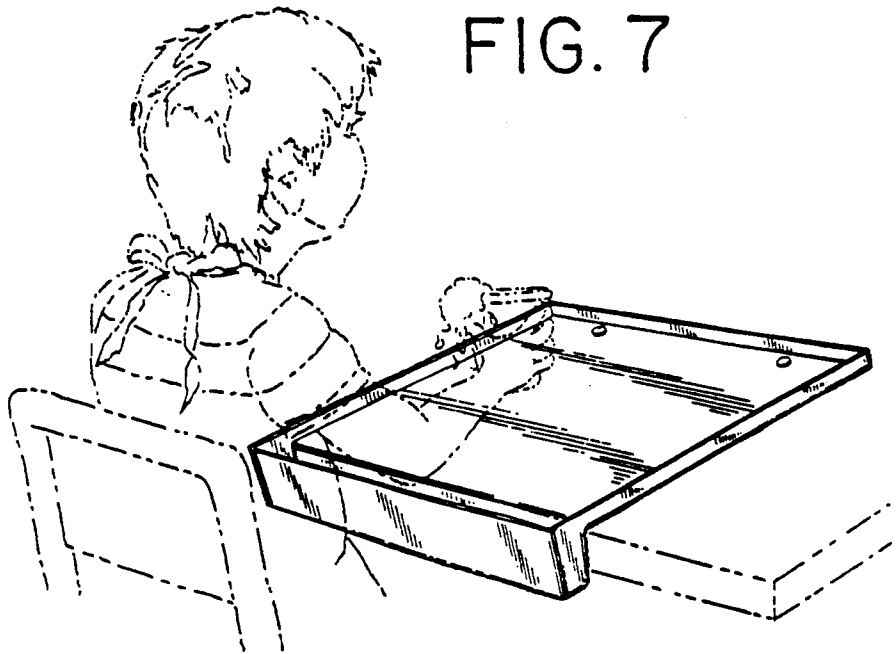


FIG. 8

