



US00D713266S

(12) **United States Design Patent**
Laffin

(10) **Patent No.:** **US D713,266 S**

(45) **Date of Patent:** **** *Sep. 16, 2014**

(54) **WET OR DRY WIPE DISPENSER AND CONTAINER**

(76) Inventor: **Barbara Diaz Laffin**, Ocean Ridge, FL (US)

(*) Notice: This patent is subject to a terminal disclaimer.

(**) Term: **14 Years**

(21) Appl. No.: **29/415,032**

(22) Filed: **Mar. 6, 2012**

(51) **LOC (10) Cl.** **09-01**

(52) **U.S. Cl.**
USPC **D9/734**

(58) **Field of Classification Search**

USPC D9/414, 416, 418, 421, 423, 426, 432, D9/433, 436, 443, 447, 500, 502, 503, 516, D9/517, 519, 529, 531; 206/390, 409, 444, 206/494, 812, 823, 824; 221/26, 33, 45, 48, 221/63; D6/515-523; D3/203.1, 203.5, D3/203.6

See application file for complete search history.

(56) **References Cited**

U.S. PATENT DOCUMENTS

277,371 A * 5/1883 Sonier 220/826
3,161,336 A 12/1964 Loescher
3,239,097 A 3/1966 Bates et al.
3,266,666 A 8/1966 Nelson
3,349,993 A 10/1967 Ells et al.
3,369,699 A 2/1968 Enloe et al.
3,684,086 A 8/1972 Harrison
3,784,055 A 1/1974 Anderson
3,918,608 A 11/1975 Faller
3,979,019 A 9/1976 Bliss
4,143,762 A 3/1979 Spiegelberg
4,156,493 A 5/1979 Julius
4,181,225 A 1/1980 Spiegelberg

D269,148 S * 5/1983 Trkla et al. D7/608
4,638,921 A 1/1987 Sigl et al.
D296,749 S * 7/1988 Threadgill et al. D15/82
4,785,970 A 11/1988 Engelmayer
4,848,575 A 7/1989 Nakamura et al.
4,865,221 A 9/1989 Jackson et al.
4,971,220 A 11/1990 Kaufman et al.
5,050,737 A 9/1991 Joslyn et al.
D322,215 S * 12/1991 Hunt D9/733
5,259,550 A 11/1993 Kuchenbecker
5,295,579 A 3/1994 Focke et al.
5,316,177 A 5/1994 Boldt
5,390,820 A 2/1995 Wright et al.
5,415,320 A 5/1995 North et al.
D366,830 S 2/1996 Christianson
6,460,727 B1 10/2002 Irwin
6,491,165 B2 12/2002 Kuske et al.
6,499,626 B1 12/2002 Julius
6,523,690 B1 2/2003 Buck et al.
6,592,004 B2 7/2003 Huang et al.
6,959,834 B2 11/2005 McDonald

(Continued)

Primary Examiner — Derrick Holland

Assistant Examiner — Lauren Calve

(74) *Attorney, Agent, or Firm* — Fleit Gibbons Gutman Bongini & Bianco PL; Jose Gutman

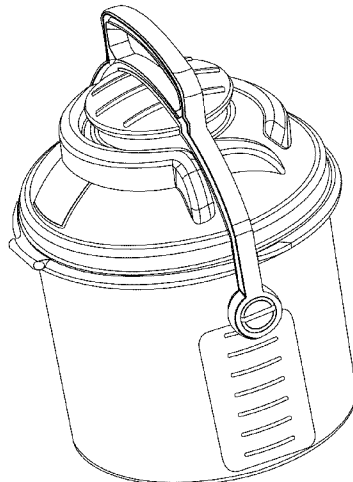
(57) **CLAIM**

The ornamental design for a wet or dry wipe dispenser and container, as shown and described.

DESCRIPTION

FIG. 1 is a front perspective view of a wet or dry wipe dispenser and container, showing my new design;
FIG. 2 is a front view thereof;
FIG. 3 is a right side view thereof;
FIG. 4 is a rear view thereof;
FIG. 5 is a left side view thereof; and,
FIG. 6 is a top view thereof.
The bottom view does not comprise part of the claim.

1 Claim, 6 Drawing Sheets



US D713,266 S

Page 2

(56)

References Cited

U.S. PATENT DOCUMENTS

7,255,254	B2 *	8/2007	Tan	225/39				
7,806,292	B2 *	10/2010	Simkins	221/63				
7,922,034	B2 *	4/2011	Neveu et al.	221/45				
2010/0108706	A1 *	5/2010	Oman	221/45				
2010/0133287	A1 *	6/2010	Tramontina et al.	221/45				

* cited by examiner



FIG. 1

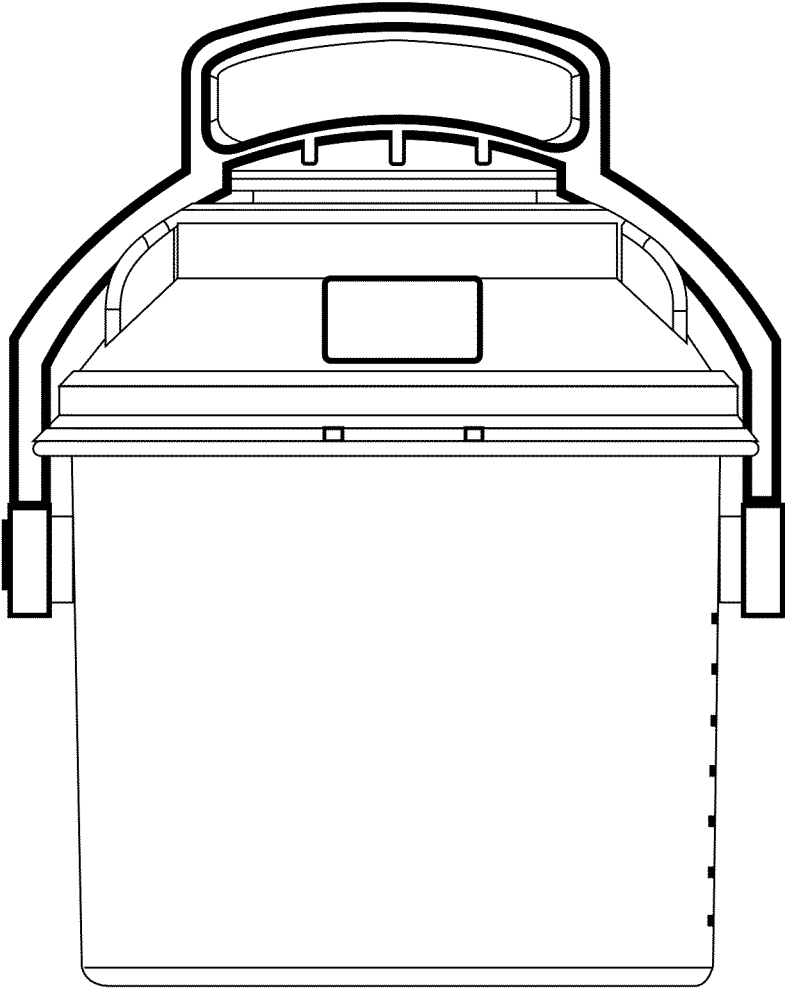


FIG. 2

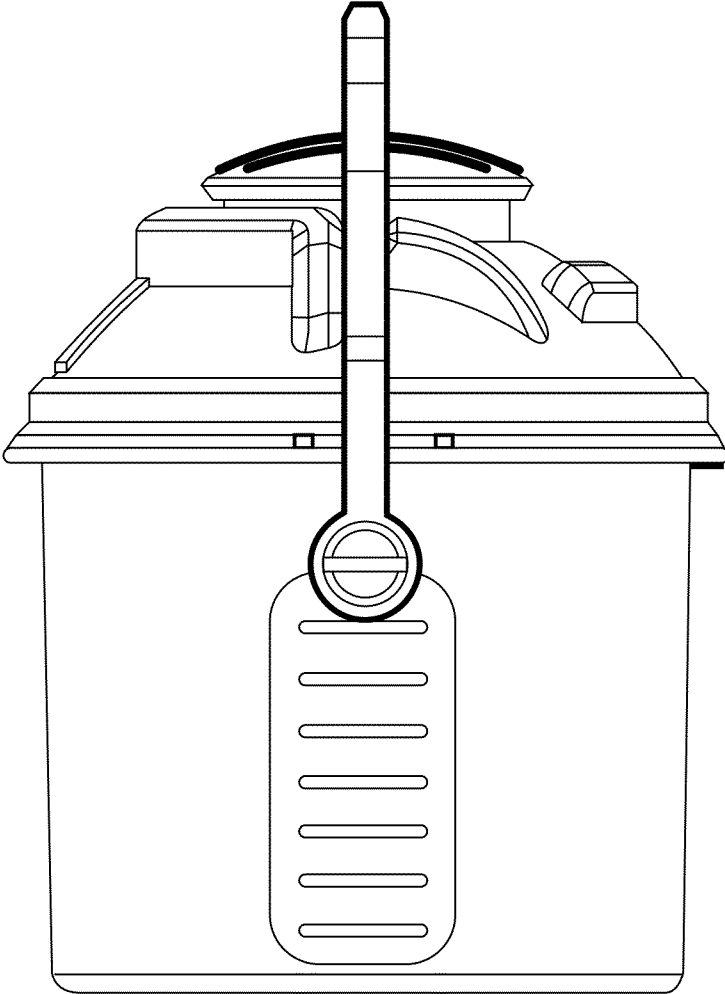


FIG. 3

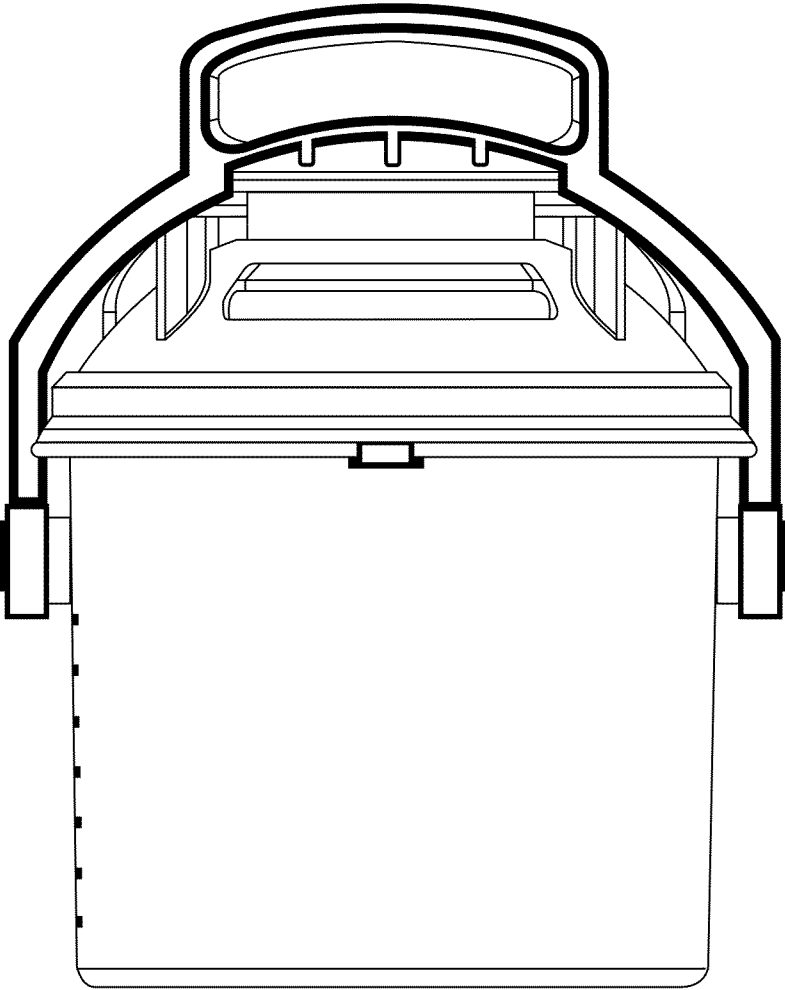


FIG. 4

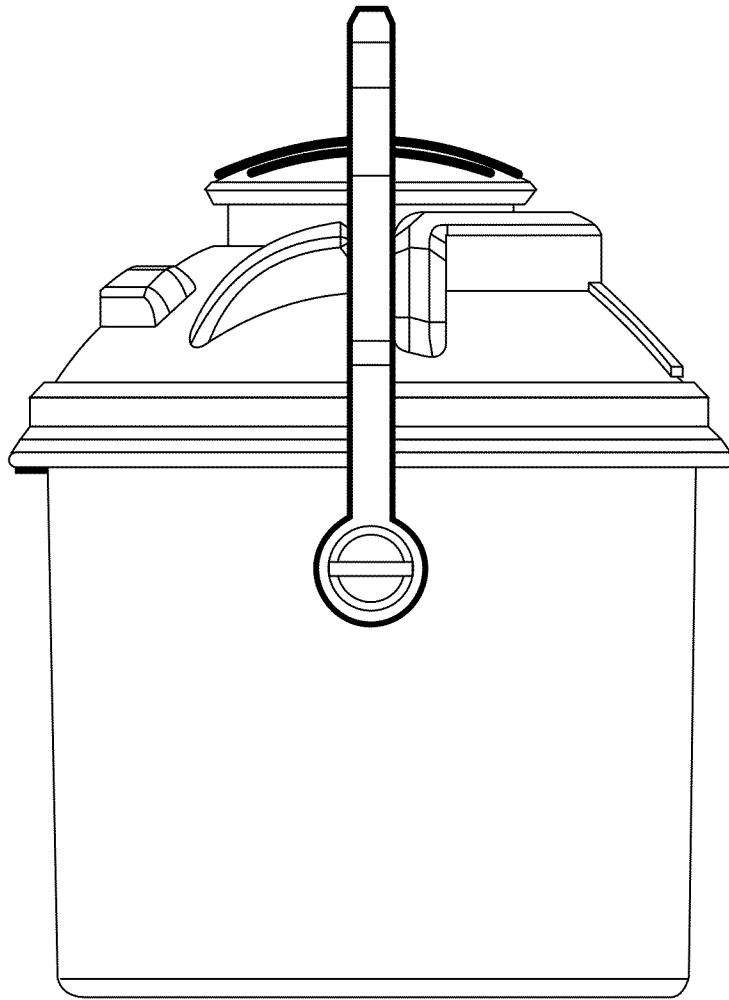


FIG. 5

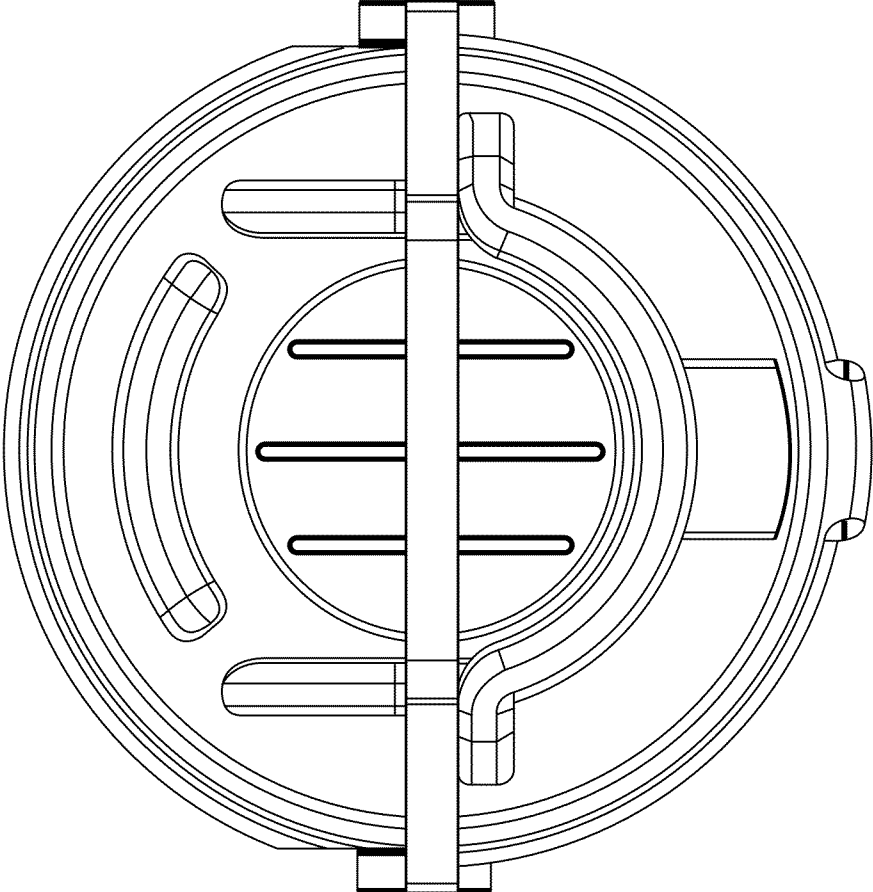


FIG. 6