



US00D899882S

(12) **United States Design Patent**  
**Folger et al.**

(10) **Patent No.:** **US D899,882 S**

(45) **Date of Patent:** **\*\* Oct. 27, 2020**

(54) **SET-SCREW HOLDER**

(71) Applicant: **Warsaw Orthopedic, Inc.**, Warsaw, IN (US)

(72) Inventors: **Leigh Anna Folger**, Memphis, TN (US); **David Mire**, Collierville, TN (US); **Caleb D. Smith**, Collierville, TN (US); **Christine Carmer**, Memphis, TN (US)

(73) Assignee: **Warsaw Orthopedic, Inc.**, Warsaw, IN (US)

(\*\*) Term: **15 Years**

(21) Appl. No.: **29/674,125**

(22) Filed: **Dec. 19, 2018**

(51) **LOC (12) Cl.** ..... **08-05**

(52) **U.S. Cl.**  
USPC ..... **D8/71**

(58) **Field of Classification Search**  
USPC ..... D8/71, 315, 353; D24/171  
CPC ..... B25H 3/003; H02G 3/14  
See application file for complete search history.

(56) **References Cited**

**U.S. PATENT DOCUMENTS**

D256,425	S	*	8/1980	Hayes	.....	206/378
4,623,336	A		11/1986	Pedicano et al.		
D294,548	S	*	3/1988	Wallace	.....	D6/558
4,923,059	A		5/1990	Evers et al.		
D316,214	S	*	4/1991	O'Donnell	.....	83/222
5,036,889	A		8/1991	Pherigo		
D329,365	S	*	9/1992	Fortune	.....	D8/30
D342,440	S	*	12/1993	Forsberg	.....	D8/373

D837,623	S	*	1/2019	Powers	.....	D8/71
D863,017	S	*	10/2019	Mefferd	.....	D8/71
2013/0161344	A1		6/2013	Park et al.		
2020/0070332	A1*		3/2020	Billups, Jr.	.....	G01C 9/32

**OTHER PUBLICATIONS**

A.L.P.S. Distal Tibia Plating System, posted at zimmerbionet.com, posting date not given, [online], [site visited Jun. 15, 2020]. Available from Internet, URL: <https://www.zimmerbiomet.com/medical-professionals/foot-and-ankle/product/alps-distal-tibia-plating-system.html> (Year: 2020).\*

\* cited by examiner

*Primary Examiner* — George D. Kirschbaum  
*Assistant Examiner* — Maria J Edwards  
(74) *Attorney, Agent, or Firm* — Sorell, Lenna & Schmidt, LLP

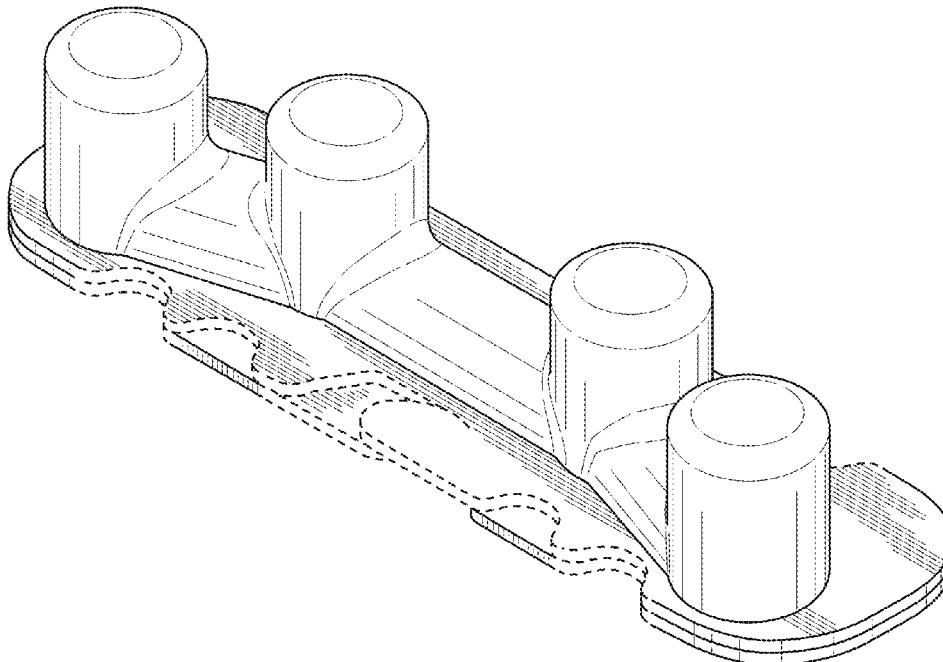
(57) **CLAIM**

The ornamental design for a set-screw holder, as shown and described.

**DESCRIPTION**

FIG. 1 is a perspective view of a set-screw holder; FIG. 2 is a bottom perspective view of the set-screw holder; FIG. 3 is a front view of the set-screw holder; FIG. 4 is a rear view of the set-screw holder; FIG. 5 is a top view of the set-screw holder; FIG. 6 is a bottom view of the set-screw holder; FIG. 7 is a left side view of the set-screw holder; and, FIG. 8 is a right side view of the set-screw holder. The broken lines in the figures depict portions of the set-screw holder and form no part of the claimed design.

**1 Claim, 7 Drawing Sheets**



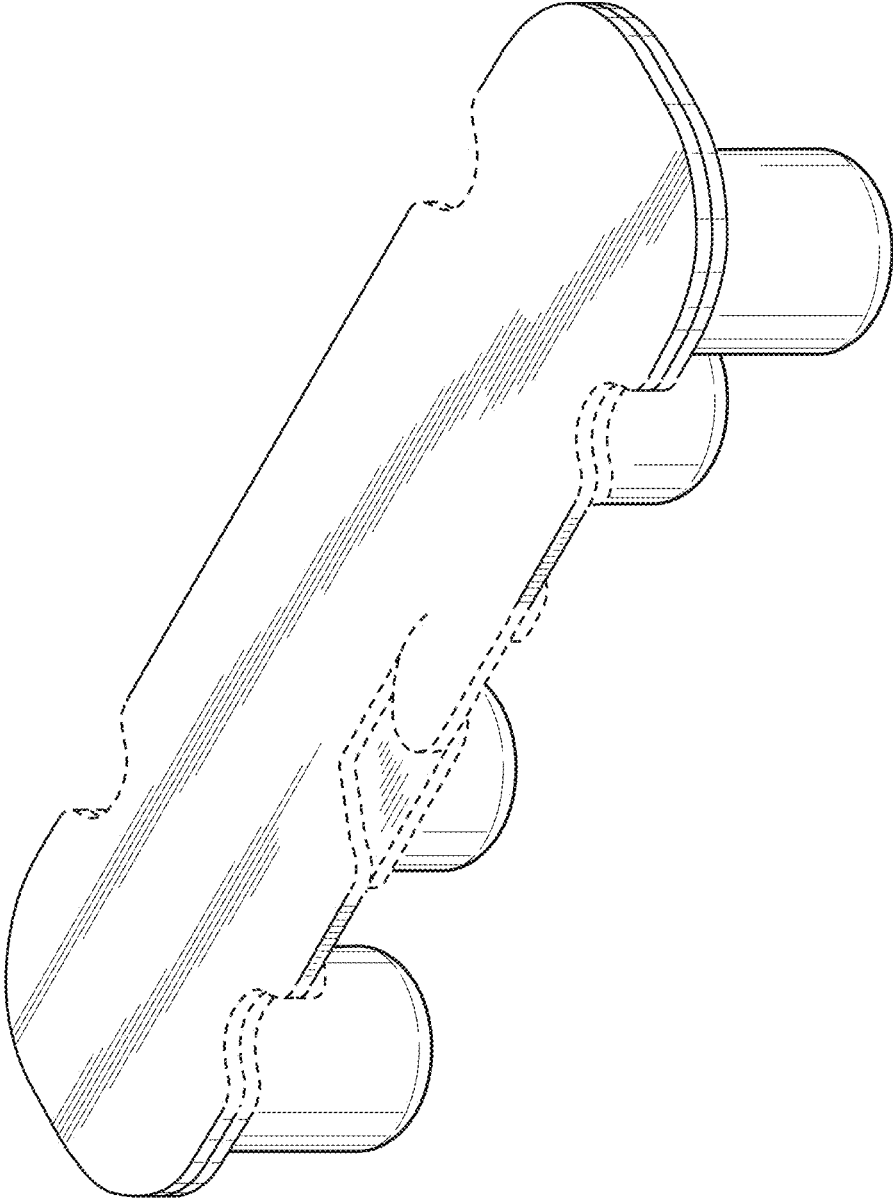


FIG. 1

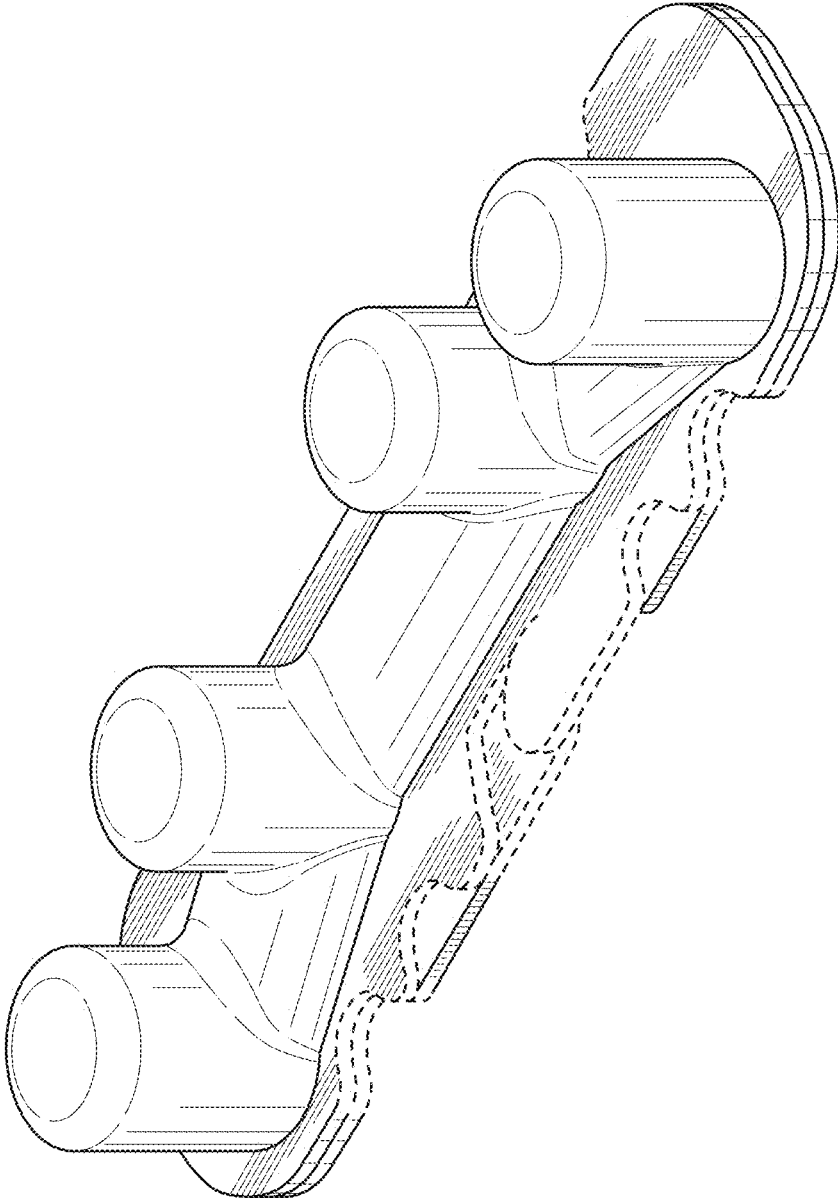


FIG. 2

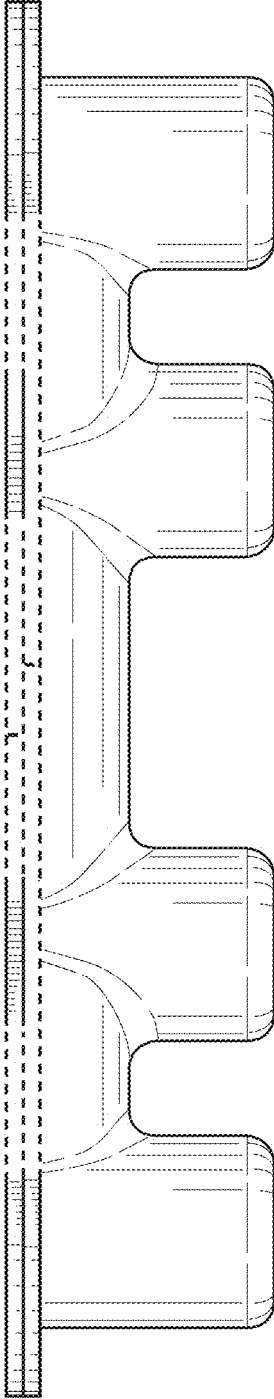


FIG. 3

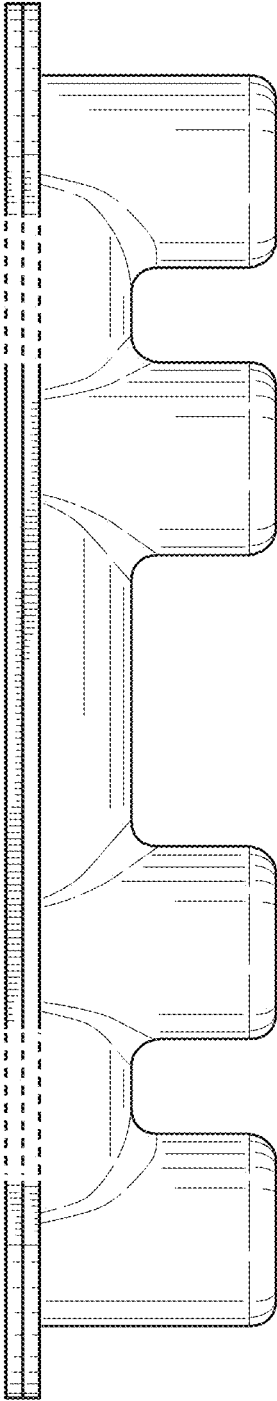


FIG. 4

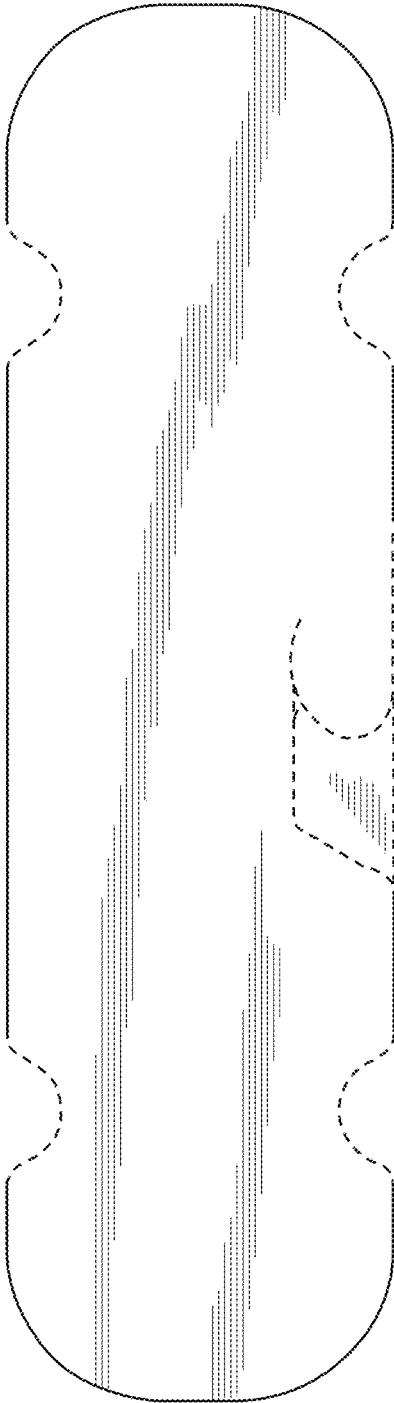


FIG. 5

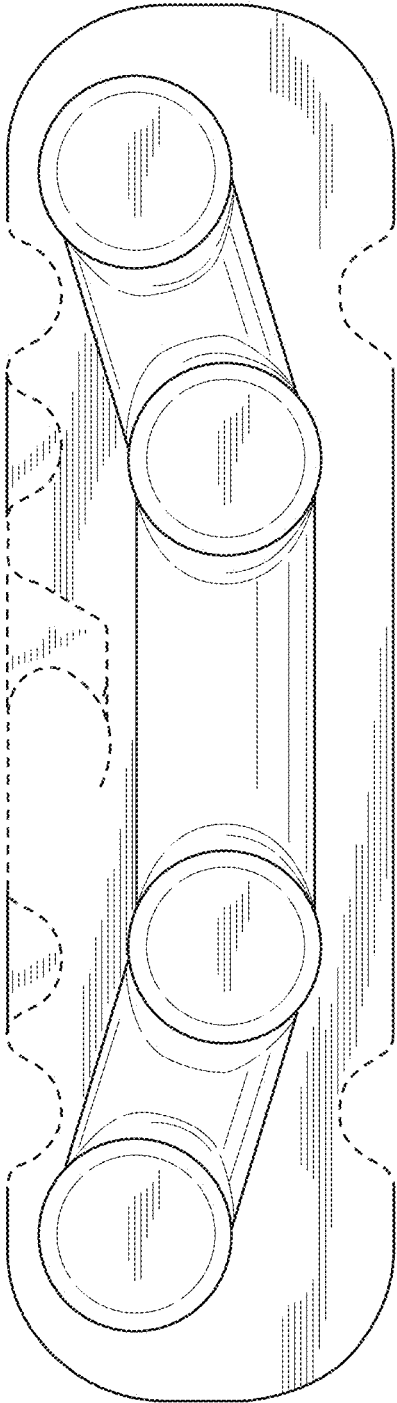
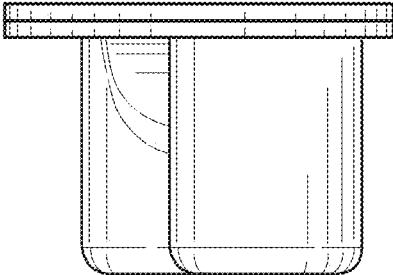
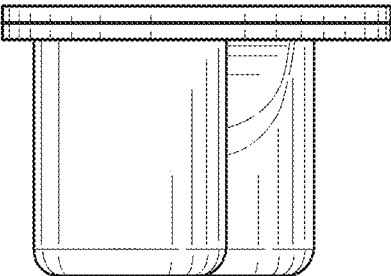


FIG. 6



**FIG. 7**



**FIG. 8**