



US00D613177S

(12) **United States Design Patent**
Lee

(10) **Patent No.:** **US D613,177 S**

(45) **Date of Patent:** **** Apr. 6, 2010**

(54) **BUCKET**

(75) Inventor: **Henry Lee**, Ontario, CA (US)

(73) Assignee: **VPET USA Inc.**, Ontario, CA (US)

(**) Term: **14 Years**

(21) Appl. No.: **29/340,624**

(22) Filed: **Jul. 22, 2009**

(51) **LOC (9) Cl.** **09-01**

(52) **U.S. Cl.** **D9/560; D9/520**

(58) **Field of Classification Search** D9/516,
D9/520, 530, 531, 532, 541, 542, 559, 560,
D9/564, 572, 573, 574, 737, 738, 745, 746;
215/381-385

See application file for complete search history.

(56) **References Cited**

U.S. PATENT DOCUMENTS

D31,235 S *	7/1899	Low	D9/560
D98,899 S *	3/1936	Werts	D9/566
D101,563 S *	10/1936	Smith	D9/560
D103,341 S *	2/1937	Rettich	D19/93
D117,844 S *	11/1939	Smith, Jr.	D9/560
D262,518 S *	1/1982	Cottrell	D9/520
D454,502 S *	3/2002	Legros	D9/544
D455,079 S *	4/2002	Kratko	D9/520
D481,957 S *	11/2003	Modjeski	D9/560
D504,823 S *	5/2005	Nottingham et al.	D9/528
D515,940 S *	2/2006	Kratko	D9/745
D523,755 S *	6/2006	Considine et al.	D9/560

D540,688 S *	4/2007	Lascaux	D9/560
D541,662 S *	5/2007	Little et al.	D9/543
D558,584 S *	1/2008	Blank	D9/560
D565,958 S *	4/2008	Considine et al.	D9/531
D577,292 S *	9/2008	Moretti	D9/560
D579,784 S *	11/2008	Varlet	D9/546
D586,222 S *	2/2009	Little et al.	D9/531
D603,716 S *	11/2009	Rica	D9/560
D604,174 S *	11/2009	Rica	D9/560
D604,630 S *	11/2009	Canamasas Puigbo	D9/560

* cited by examiner

Primary Examiner—Stella M Reid

Assistant Examiner—Elizabeth J Oswecki

(74) *Attorney, Agent, or Firm*—Wang Law Firm, Inc.; Li K. Wang

(57) **CLAIM**

The ornamental design for a bucket, as shown and described.

DESCRIPTION

FIG. 1 is a perspective view of a bucket showing my new design;

FIG. 2 is a front elevational view thereof;

FIG. 3 is a rear elevational view thereof;

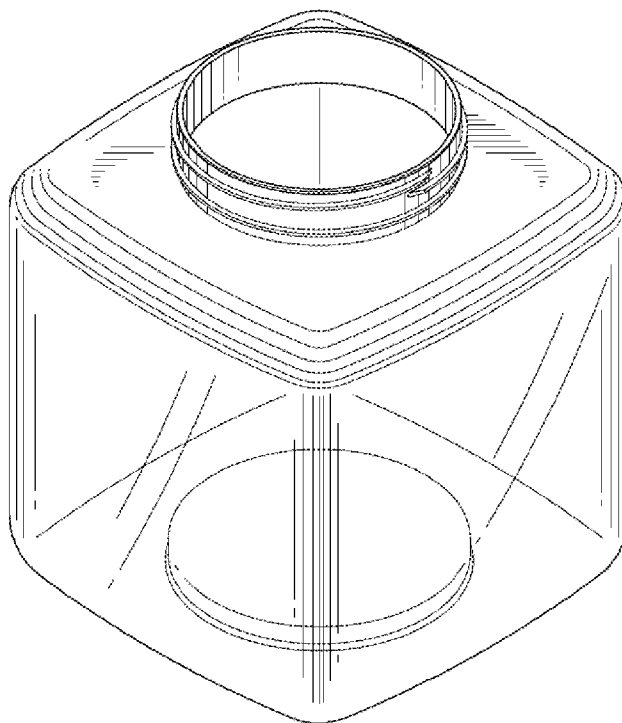
FIG. 4 is a left side view thereof;

FIG. 5 is a right side view thereof;

FIG. 6 is a top plan view thereof; and,

FIG. 7 is a bottom plan view thereof.

1 Claim, 4 Drawing Sheets



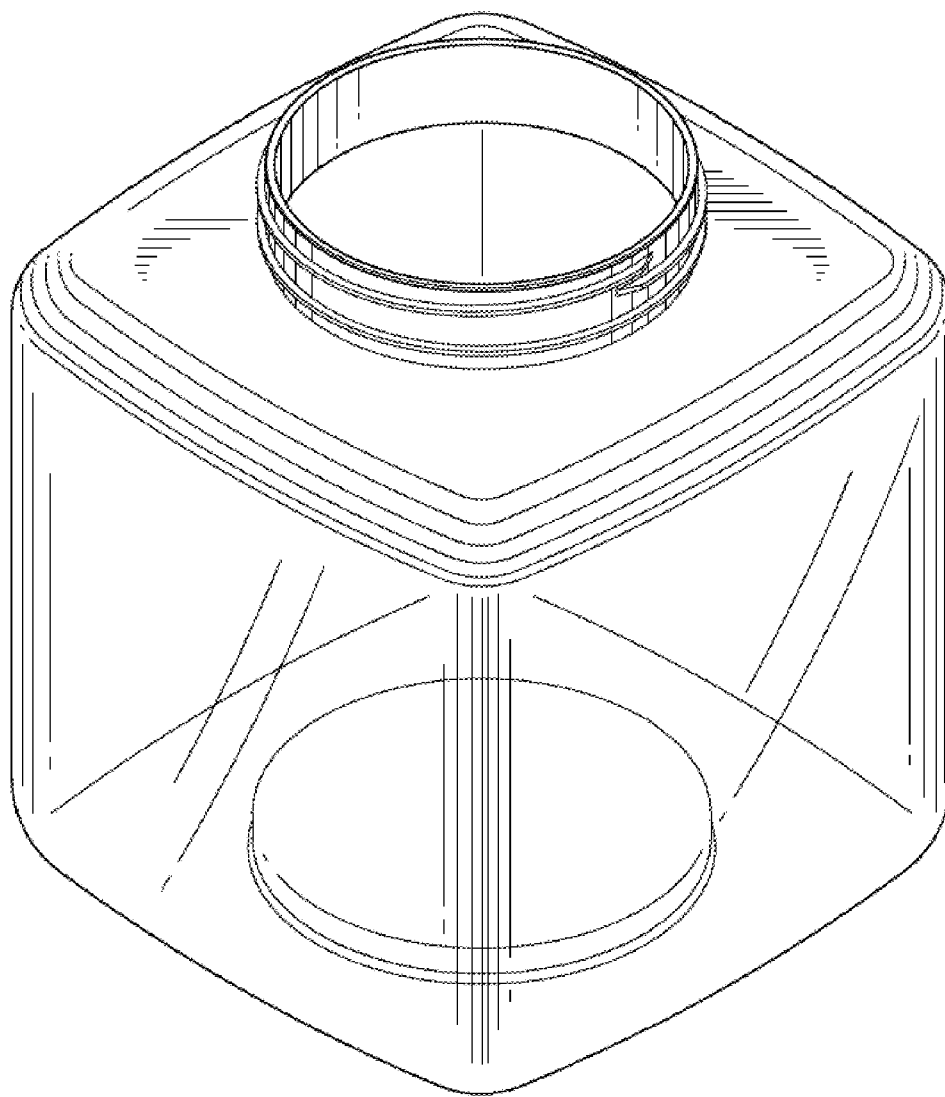


FIG. 1

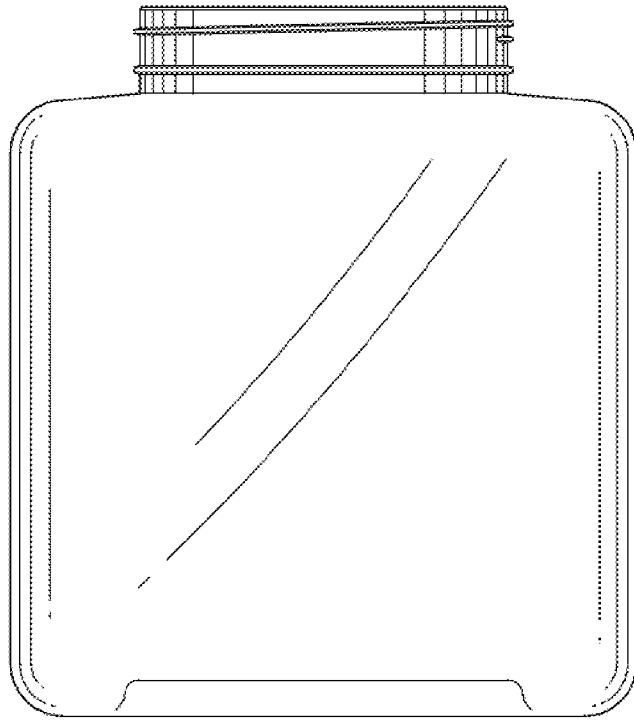


FIG. 2

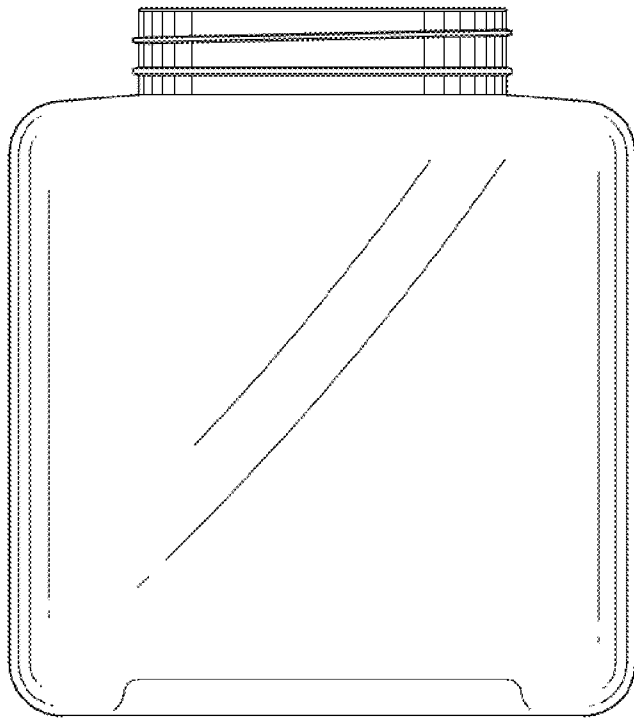


FIG. 3

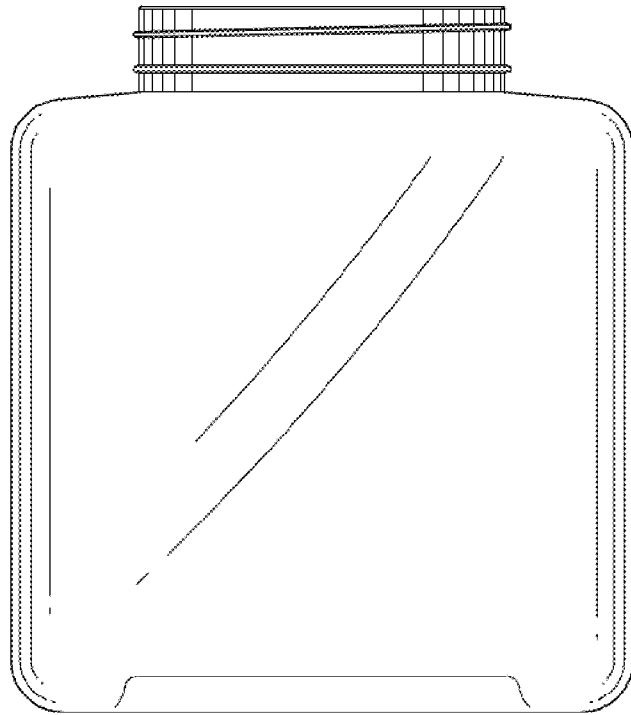


FIG. 4

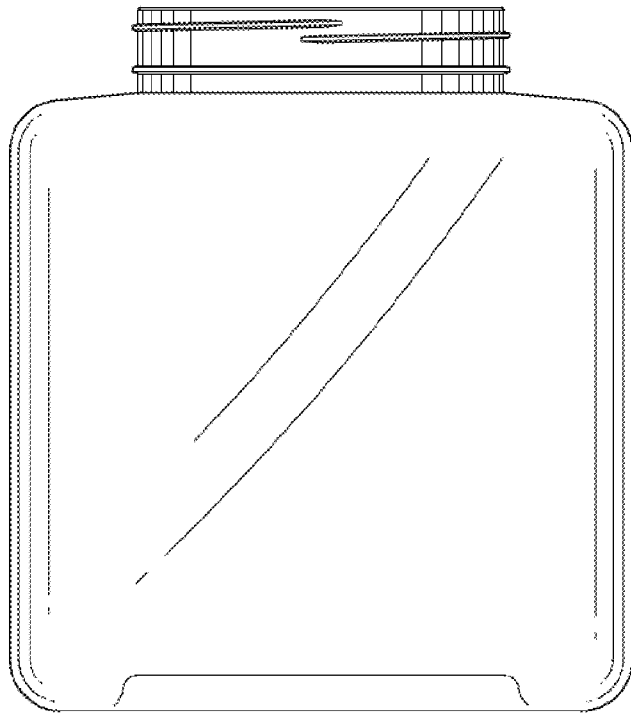


FIG. 5

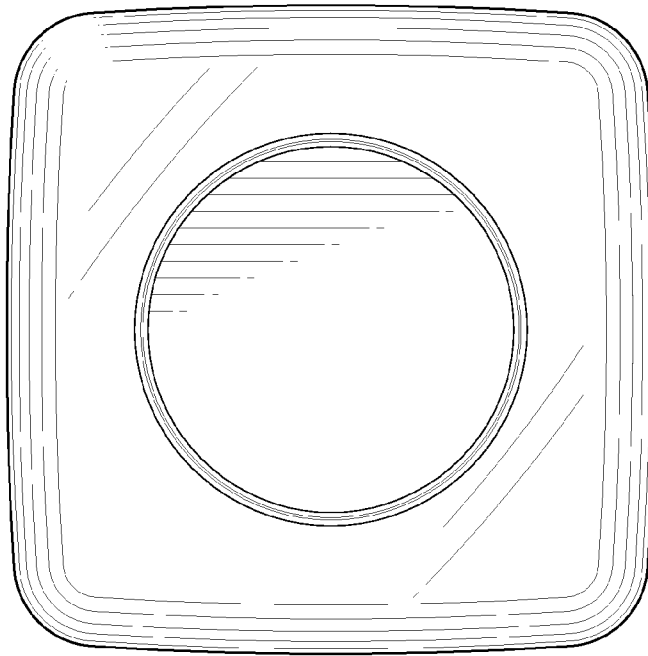


FIG. 6

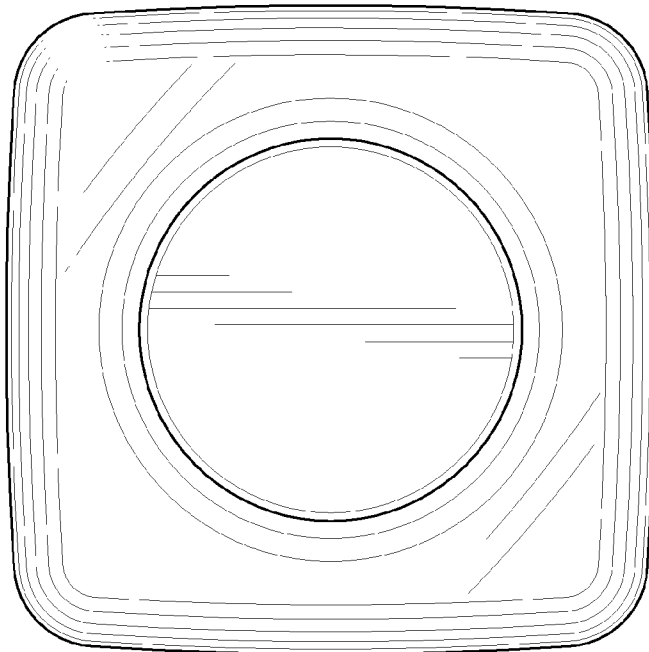


FIG. 7