



US00D769050S

(12) **United States Design Patent**  
**Lee**

(10) **Patent No.:** **US D769,050 S**  
(45) **Date of Patent:** **\*\* Oct. 18, 2016**

(54) **COOKING PAN FOR USE IN HEATING COOKERS**

(71) Applicant: **Jin Hee Lee**, Seoul (KR)

(72) Inventor: **Jin Hee Lee**, Seoul (KR)

(\*\*) Term: **14 Years**

(21) Appl. No.: **29/526,223**

(22) Filed: **May 7, 2015**

(30) **Foreign Application Priority Data**

Dec. 30, 2014 (KR) ..... 30-2014-0064202

(51) **LOC (10) Cl.** ..... **07-02**

(52) **U.S. Cl.**  
USPC ..... **D7/362; D7/352; D7/409**

(58) **Field of Classification Search**

USPC ..... D7/323, 352-362, 543, 545, 549, 550.1, D7/553.1-553.8, 554.1-554.4, 555, 584, D7/586, 688; D9/430-433, 455-456, 737, D9/756-762; D19/92  
CPC ..... A21B 3/00; A21B 3/003; A21B 3/13; A21B 3/15; A21B 3/134; A21B 5/00; A21B 5/02; A47J 27/004; A47J 36/022; A47J 36/025; A47J 36/027; A47J 36/38; A47J 36/2483; A47J 37/00; A47J 37/04; A47J 37/067; A47J 37/0676; A47J 37/108; A47J 37/10; A47J 43/28; A47J 43/284; A47G 23/06; B65D 1/22; B65D 1/24; B65D 1/34; B65D 1/36; B65D 81/343; B65D 85/36  
See application file for complete search history.

(56) **References Cited**

**U.S. PATENT DOCUMENTS**

3,664,256 A \* 5/1972 Peirce ..... A47J 37/0676 99/425  
D223,854 S \* 6/1972 Swett et al. .... D7/392.1  
D229,656 S \* 12/1973 Garcia ..... D7/359  
D246,411 S \* 11/1977 Blanchard ..... 30/303  
D252,008 S \* 6/1979 Jeambey ..... 426/243  
D264,036 S \* 4/1982 Pomroy ..... D7/359

D335,795 S \* 5/1993 Conti ..... D7/359  
6,082,249 A \* 7/2000 Su ..... A47J 27/004 99/340  
D439,792 S \* 4/2001 Hedrington ..... D7/323  
D440,490 S \* 4/2001 Lizzio ..... D9/428  
6,363,842 B1 \* 4/2002 Lin ..... A47J 36/38 126/299 D  
D458,078 S \* 6/2002 Lin ..... D7/362  
6,782,801 B1 \* 8/2004 Correa ..... A47J 37/067 99/340  
D621,650 S \* 8/2010 DeLeo ..... D7/354  
D653,904 S \* 2/2012 Lee ..... D7/362

(Continued)

*Primary Examiner* — Ricky Pham

(74) *Attorney, Agent, or Firm* — Kile Park Reed & Houtteman PLLC

(57) **CLAIM**

I claim, the ornamental design for a cooking pan for use in heating cookers, as shown and described.

**DESCRIPTION**

FIG. 1 is a top and front perspective view of a cooking pan for use in heating cookers, showing my new design; FIG. 2 is a front view thereof; FIG. 3 is a rear view thereof; FIG. 4 is a left side view thereof; FIG. 5 is a right side view thereof; FIG. 6 is a top plan view thereof; FIG. 7 is a bottom plan view thereof; FIG. 8 is a reference perspective view showing upper and lower cooking pans of the cooking pan for use in heating cookers, wherein one of two separable semi-circular cooling pans of the upper cooking pan is separated from the other; and, FIG. 9 is an exploded reference perspective view showing how the upper and lower cooking pans are assembled with and disassembled from each other in the arrow directions, wherein the two separable semi-circular cooking pans of the upper cooking pan are assembled with and disassembled from each other in the arrow directions. The broken lines shown in the figures are for illustrative purposes only and form no part of the claimed design.

**1 Claim, 9 Drawing Sheets**

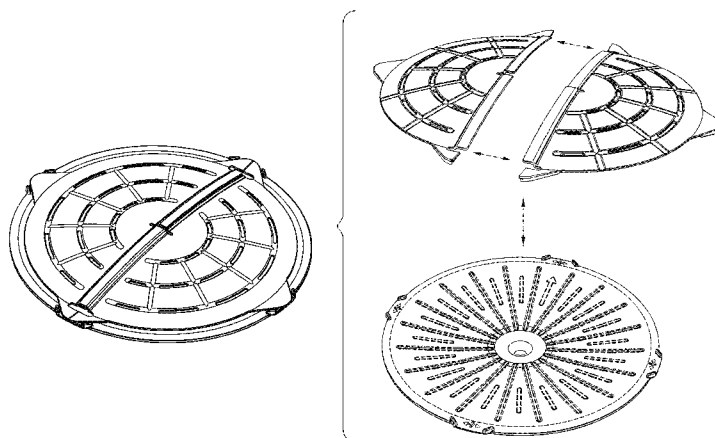




FIG. 1

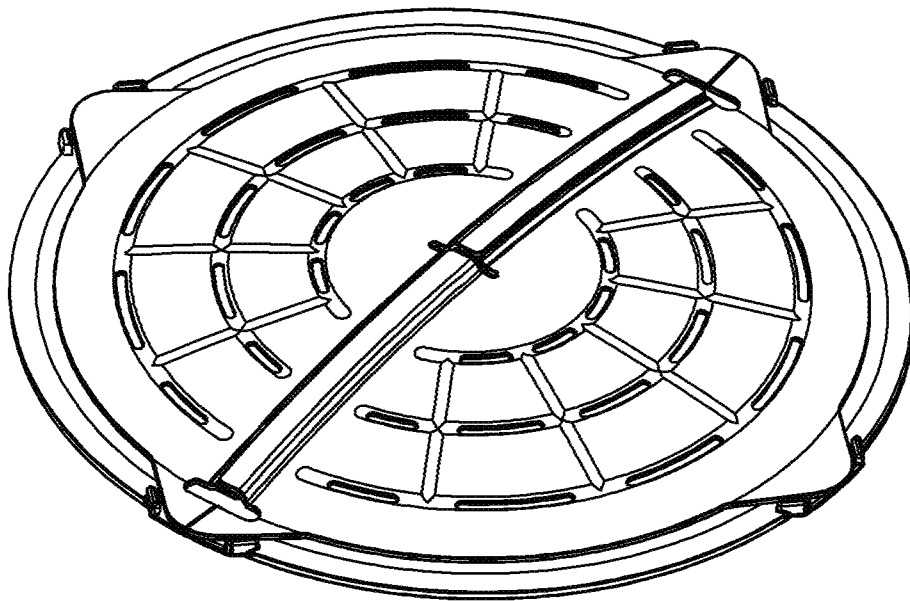


FIG. 2

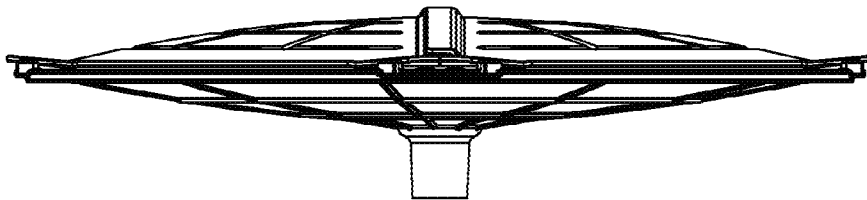


FIG. 3

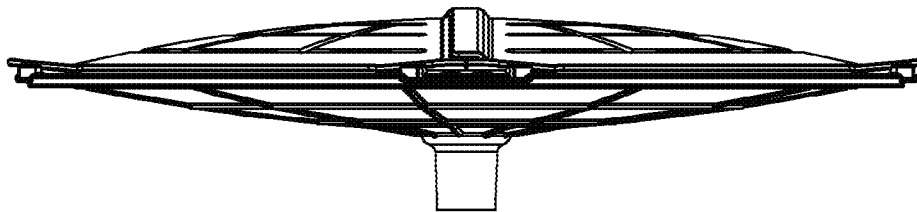


FIG. 4

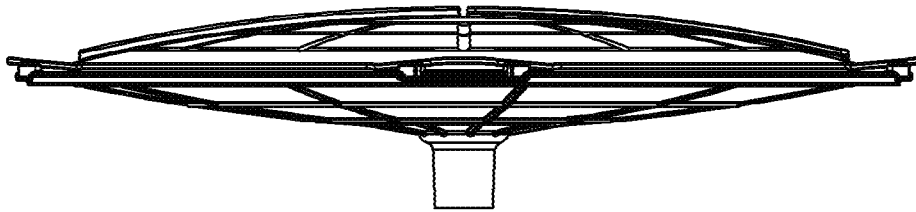


FIG. 5

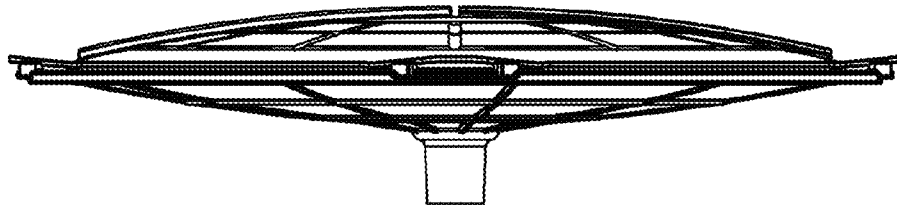


FIG. 6

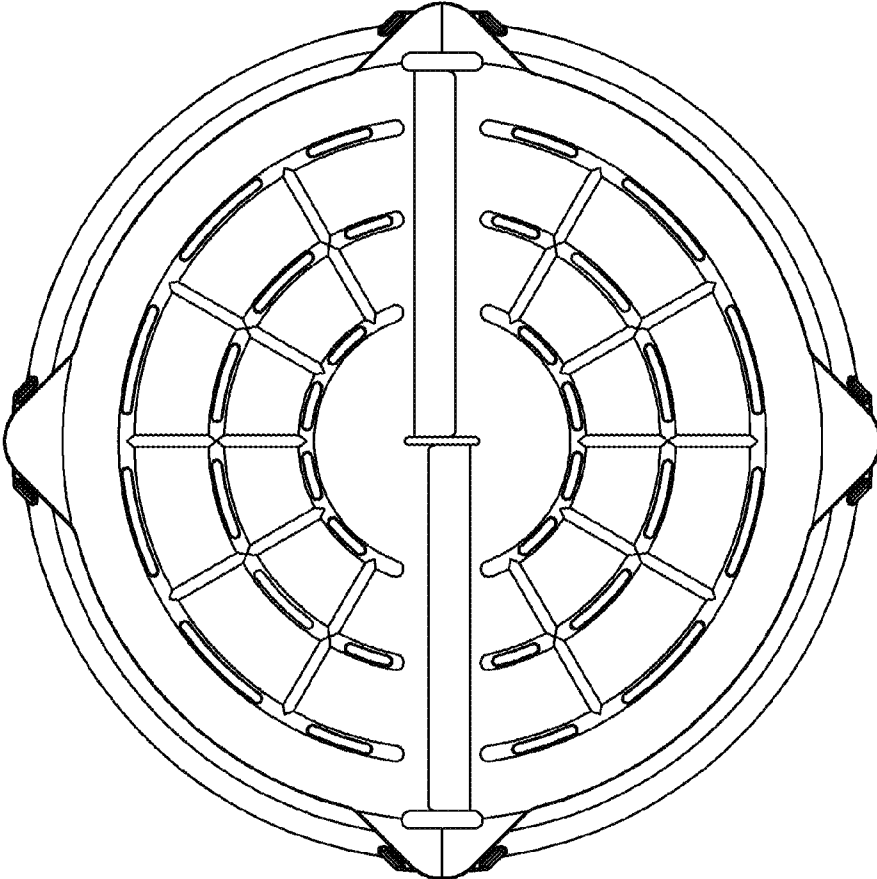


FIG. 7

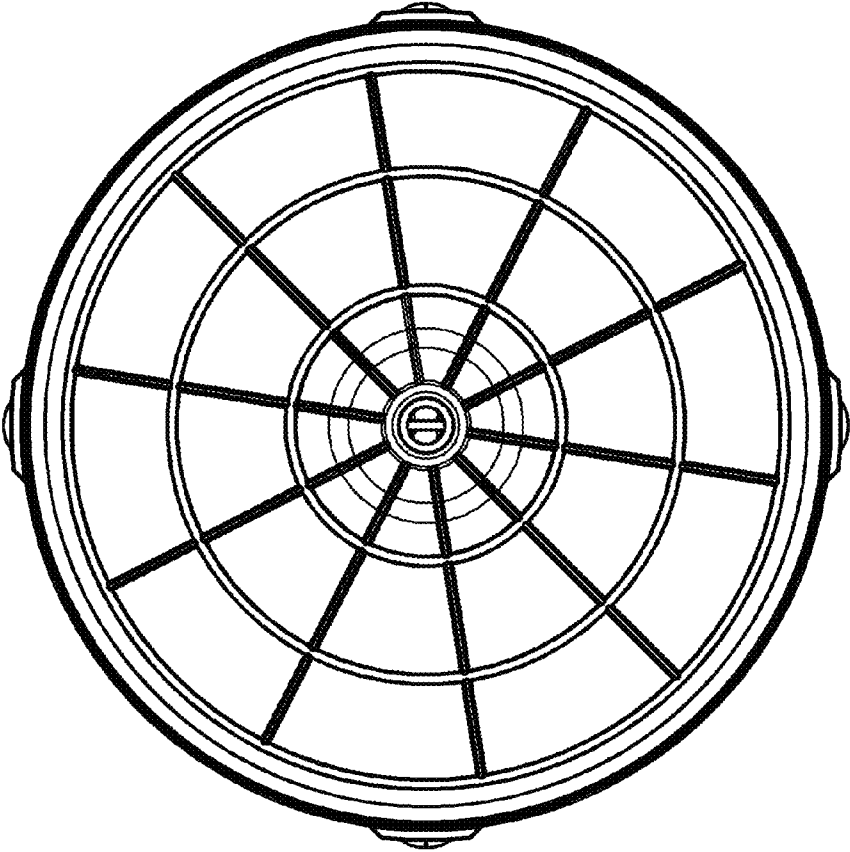


FIG. 8

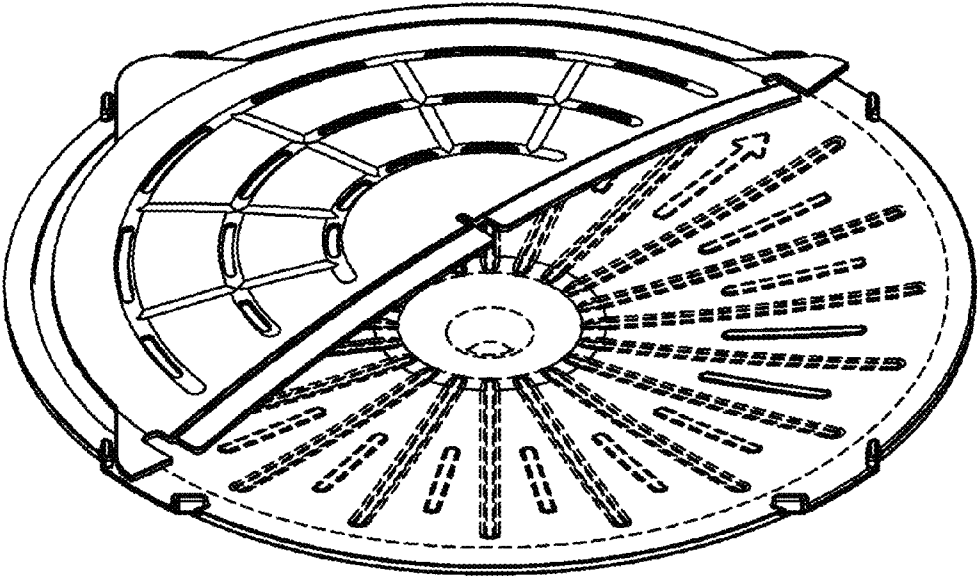


FIG. 9

