



(12) **United States Design Patent**
Zou

(10) **Patent No.:** **US D952,885 S**
(45) **Date of Patent:** **** May 24, 2022**

- (54) **MASSAGER**
- (71) Applicant: **FINE DRAGON TECHNOLOGY LIMITED**, Guangdong (CN)
- (72) Inventor: **Zhenren Zou**, Guangdong (CN)
- (73) Assignee: **FINE DRAGON TECHNOLOGY LIMITED**, Shenzhen (CN)
- (**) Term: **15 Years**
- (21) Appl. No.: **29/745,463**
- (22) Filed: **Aug. 6, 2020**
- (30) **Foreign Application Priority Data**

D886,317 S *	6/2020	Marton	D24/215
D893,738 S *	8/2020	Zhuang	D24/215
D895,132 S *	9/2020	Hu	D24/215
D895,133 S *	9/2020	Xu	D24/215
D895,135 S *	9/2020	Xu	D24/215
D895,829 S *	9/2020	Hu	D24/215
D895,831 S *	9/2020	Chen	D24/215
D898,209 S *	10/2020	Xu	D24/214
D898,933 S *	10/2020	Xu	D24/215
D899,620 S *	10/2020	Huang	D24/215
D905,863 S *	12/2020	Lin	D24/215
D906,533 S *	12/2020	Xu	D24/215
D907,229 S *	1/2021	Zhang	D24/215
D907,230 S *	1/2021	Zhang	D24/215
D908,908 S *	1/2021	Xu	D24/215
D910,194 S *	2/2021	Radtke	D24/215
D911,535 S *	2/2021	Yu	D24/200
D912,267 S *	3/2021	Tang	D24/215
D913,516 S *	3/2021	Zhang	D24/215
D913,517 S *	3/2021	Yu	D24/215

(Continued)

Jul. 22, 2020 (CN) 202030400602.2

- (51) **LOC (13) CL.** **28-03**
- (52) **U.S. CL.**
USPC **D24/215**
- (58) **Field of Classification Search**
USPC D24/200, 211, 212, 213, 214, 215;
D8/14.1; D28/13, 44.1
CPC A61H 2201/1653; A61H 23/006; A61H
1/00; A61H 15/02; A61H 1/008
See application file for complete search history.

Primary Examiner — Michael A Maharajh

(57) **CLAIM**

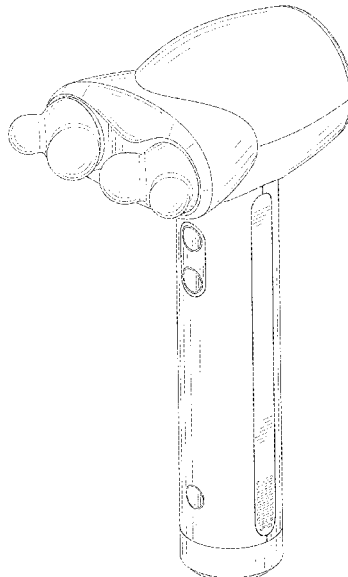
The ornamental design for a massager, as shown and described.

DESCRIPTION

FIG. 1 is a top, front and right side perspective view of a massager showing my new design;
 FIG. 2 is a bottom, rear and left side perspective view thereof;
 FIG. 3 is a front elevational view thereof;
 FIG. 4 is a rear elevational view thereof;
 FIG. 5 is a left side view thereof;
 FIG. 6 is a right side view thereof;
 FIG. 7 is a top plan view thereof; and,
 FIG. 8 is a bottom plan view thereof.
 The broken lines in the drawings illustrate portions of the massager which form no part of the claimed design.

- (56) **References Cited**
U.S. PATENT DOCUMENTS
- | | | | | |
|--------------|---------|----------|-------|----------|
| D616,558 S * | 5/2010 | Tsai | | D24/200 |
| D808,076 S * | 1/2018 | Gabriele | | D28/44.1 |
| D844,896 S * | 4/2019 | Levi | | D28/44.1 |
| D855,822 S * | 8/2019 | Marton | | D24/215 |
| D863,571 S * | 10/2019 | Yang | | D24/200 |
| D873,432 S * | 1/2020 | Duan | | D24/214 |
| D874,015 S * | 1/2020 | Marton | | D24/215 |
| D875,961 S * | 2/2020 | Li | | D24/211 |
| D884,205 S * | 5/2020 | Zhuang | | D24/215 |
| D884,207 S * | 5/2020 | Ma | | D24/215 |

1 Claim, 8 Drawing Sheets



(56)

References Cited

U.S. PATENT DOCUMENTS

D914,966	S *	3/2021	Kim	D28/13
D916,307	S *	4/2021	Xiong	D24/215
D917,060	S *	4/2021	Hu	D24/215
D918,408	S *	5/2021	Huang	D24/215
D921,916	S *	6/2021	Xu	D24/215
D921,917	S *	6/2021	Xu	D24/215
D923,187	S *	6/2021	Ma	D24/211
D923,188	S *	6/2021	Xu	D24/211
D923,190	S *	6/2021	Xu	D24/214
D923,194	S *	6/2021	Xu	D24/215
D924,422	S *	7/2021	Huang	D24/215
D924,425	S *	7/2021	Grbic	D24/215
D925,751	S *	7/2021	Wu	D24/211
D925,755	S *	7/2021	Zheng	D24/215
D925,756	S *	7/2021	Xu	D24/215
D925,758	S *	7/2021	Xu	D24/215
D926,333	S *	7/2021	Zhang	D24/215
D926,335	S *	7/2021	Zhang	D24/215
D926,338	S *	7/2021	Xu	D24/215
D927,714	S *	8/2021	Li	D24/215
D927,715	S *	8/2021	Li	D24/215
D928,338	S *	8/2021	Hu	D24/215
D929,601	S *	8/2021	Lin	D24/215
D931,481	S *	9/2021	Li	D24/211
D931,487	S *	9/2021	Li	D24/215
D933,250	S *	10/2021	Shen	D24/211
D933,844	S *	10/2021	Chen	D24/214
D933,845	S *	10/2021	Zheng	D24/215
D934,440	S *	10/2021	Zheng	D24/214
D934,441	S *	10/2021	Zhang	D24/215
D935,045	S *	11/2021	Zhang	D24/215
D940,892	S *	1/2022	Shen	D24/215
2016/0338899	A1 *	11/2016	Howson	A61H 7/001
2019/0254921	A1 *	8/2019	Marton	A61H 23/0254
2020/0390644	A1 *	12/2020	Yang	A61H 15/00

* cited by examiner

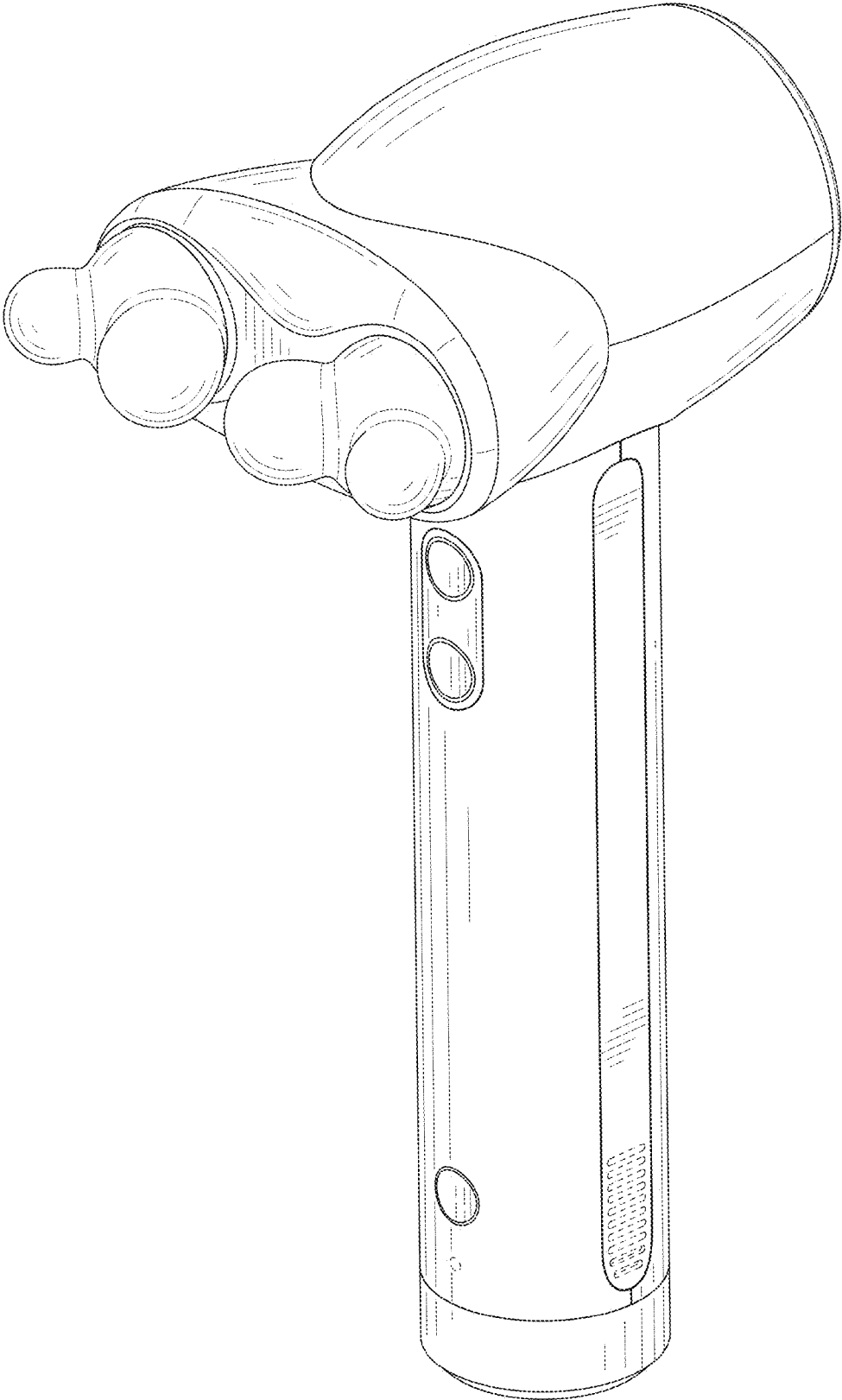


FIG. 1

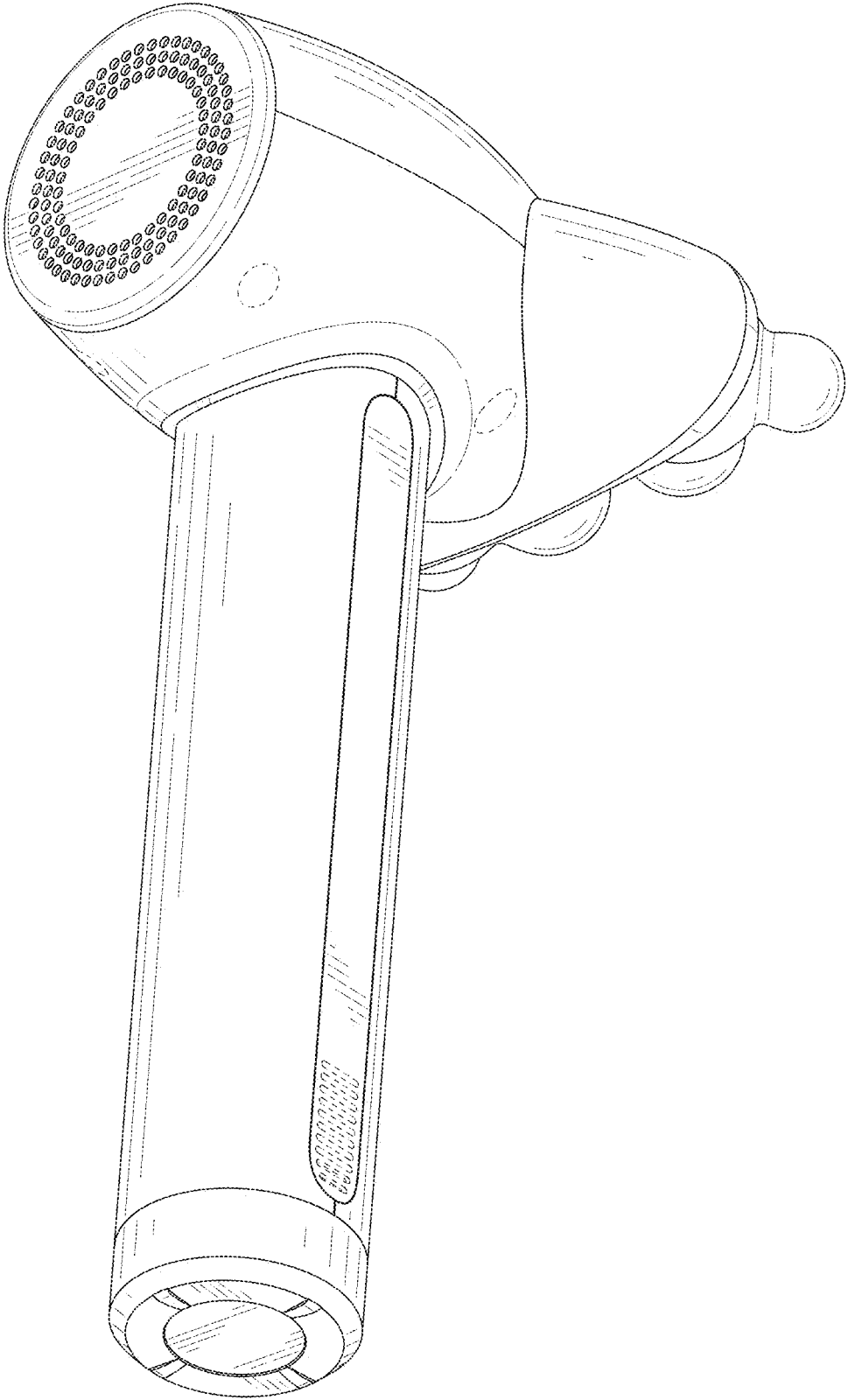


FIG. 2

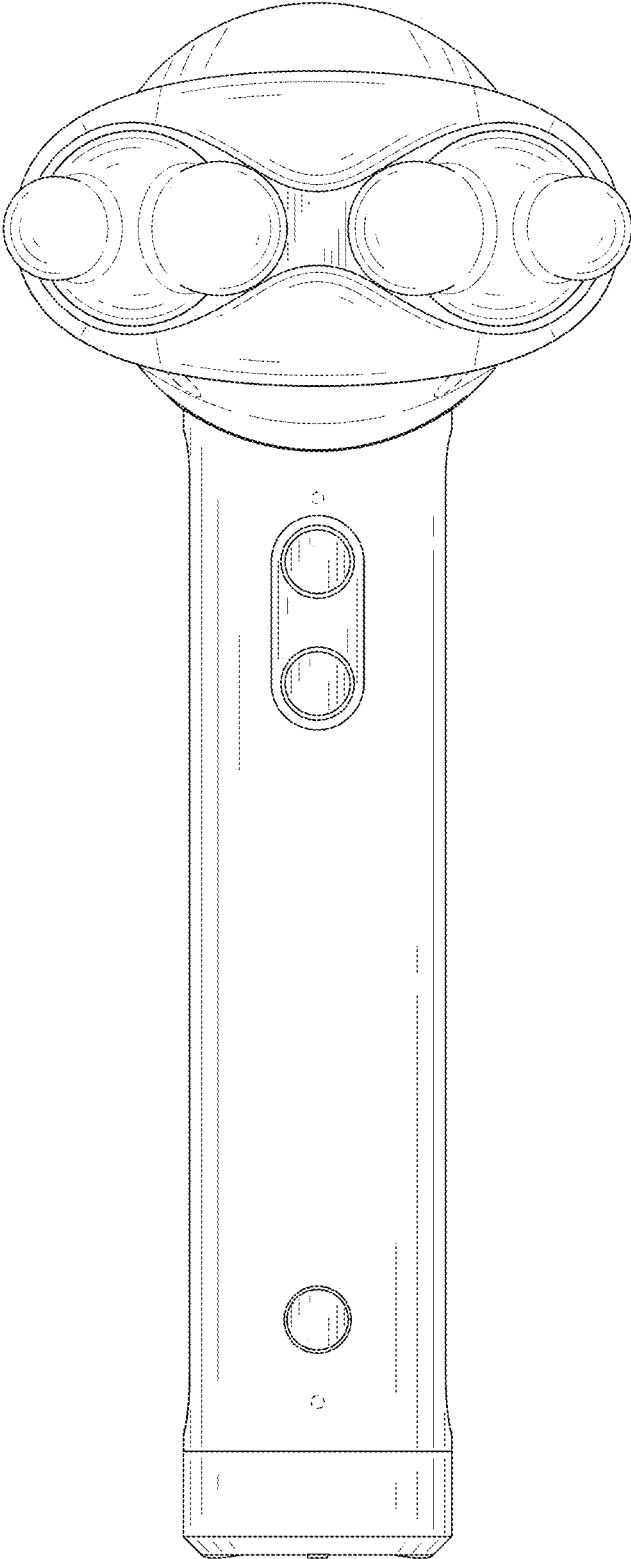


FIG. 3

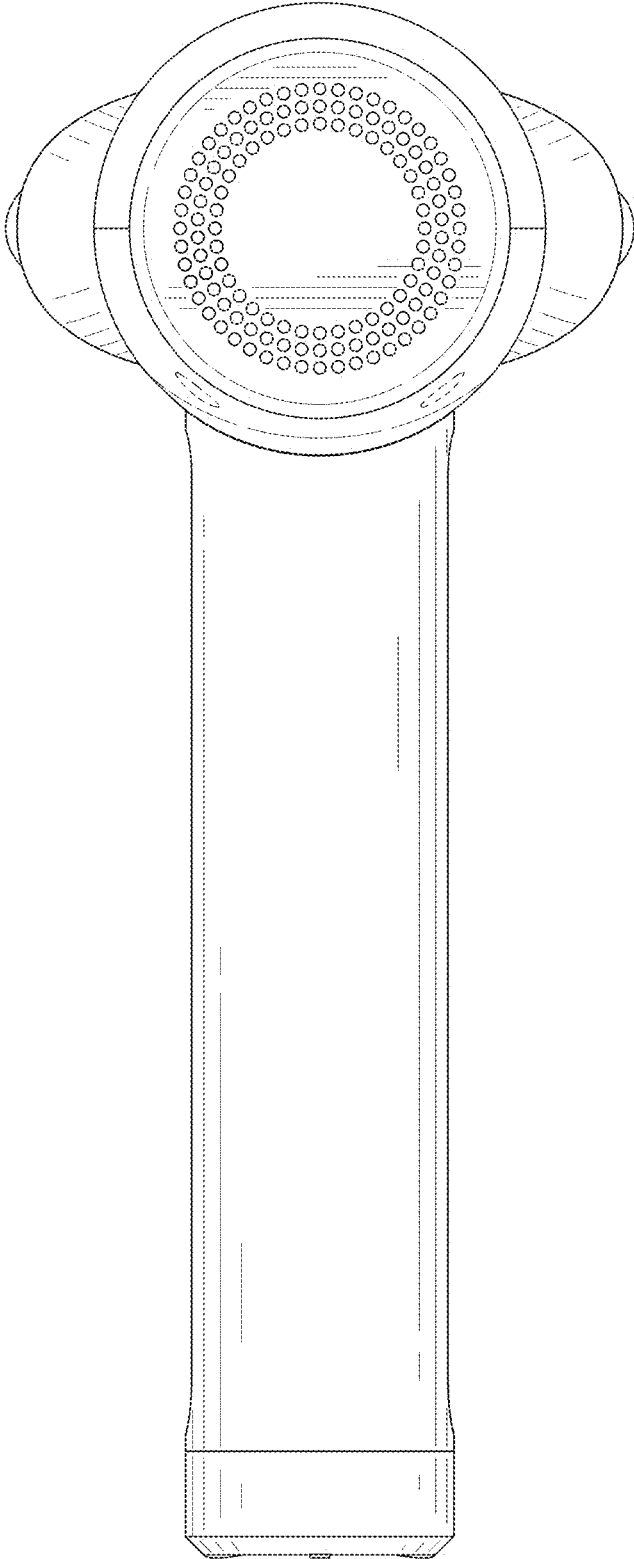


FIG. 4

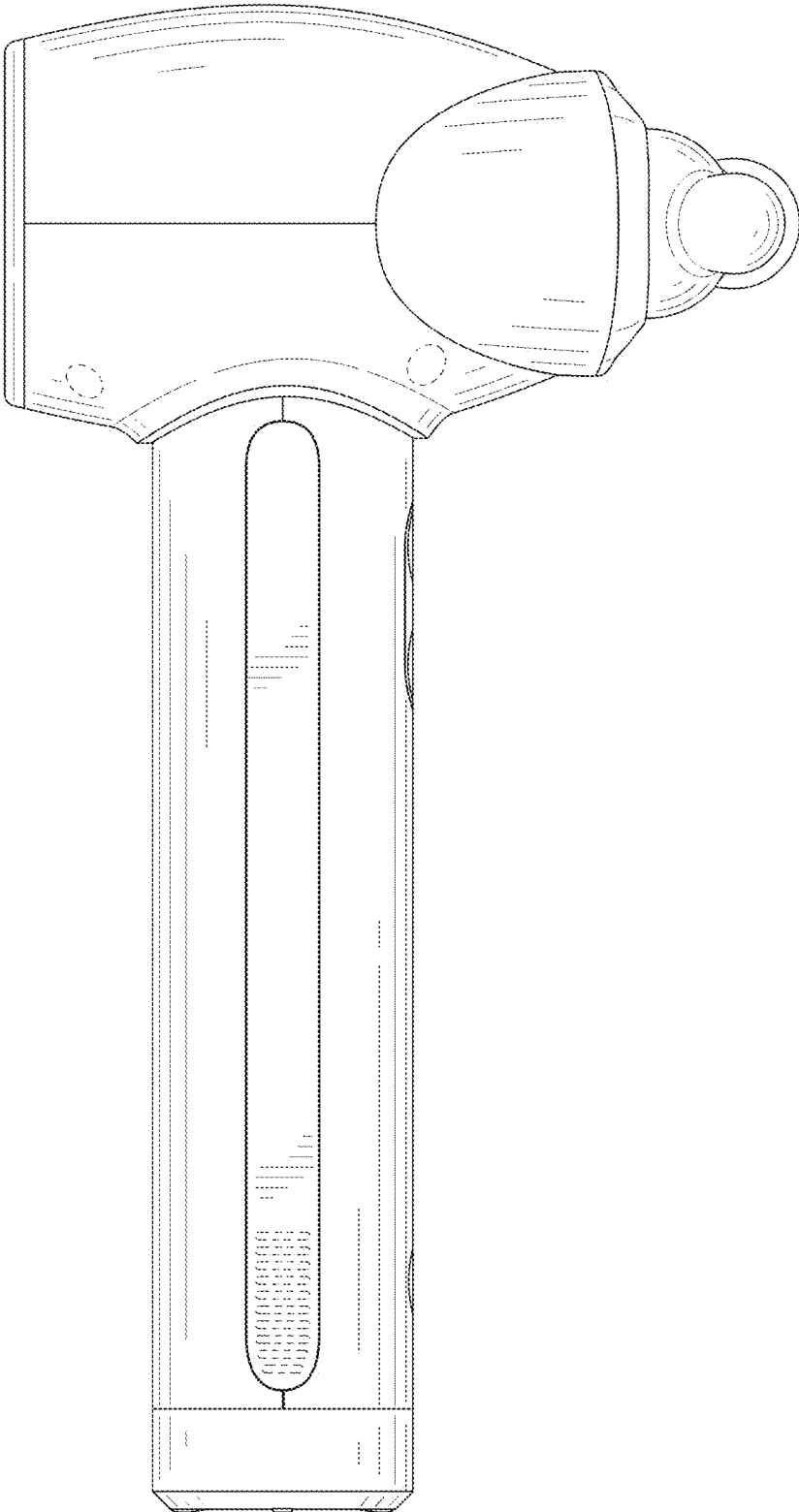


FIG. 5

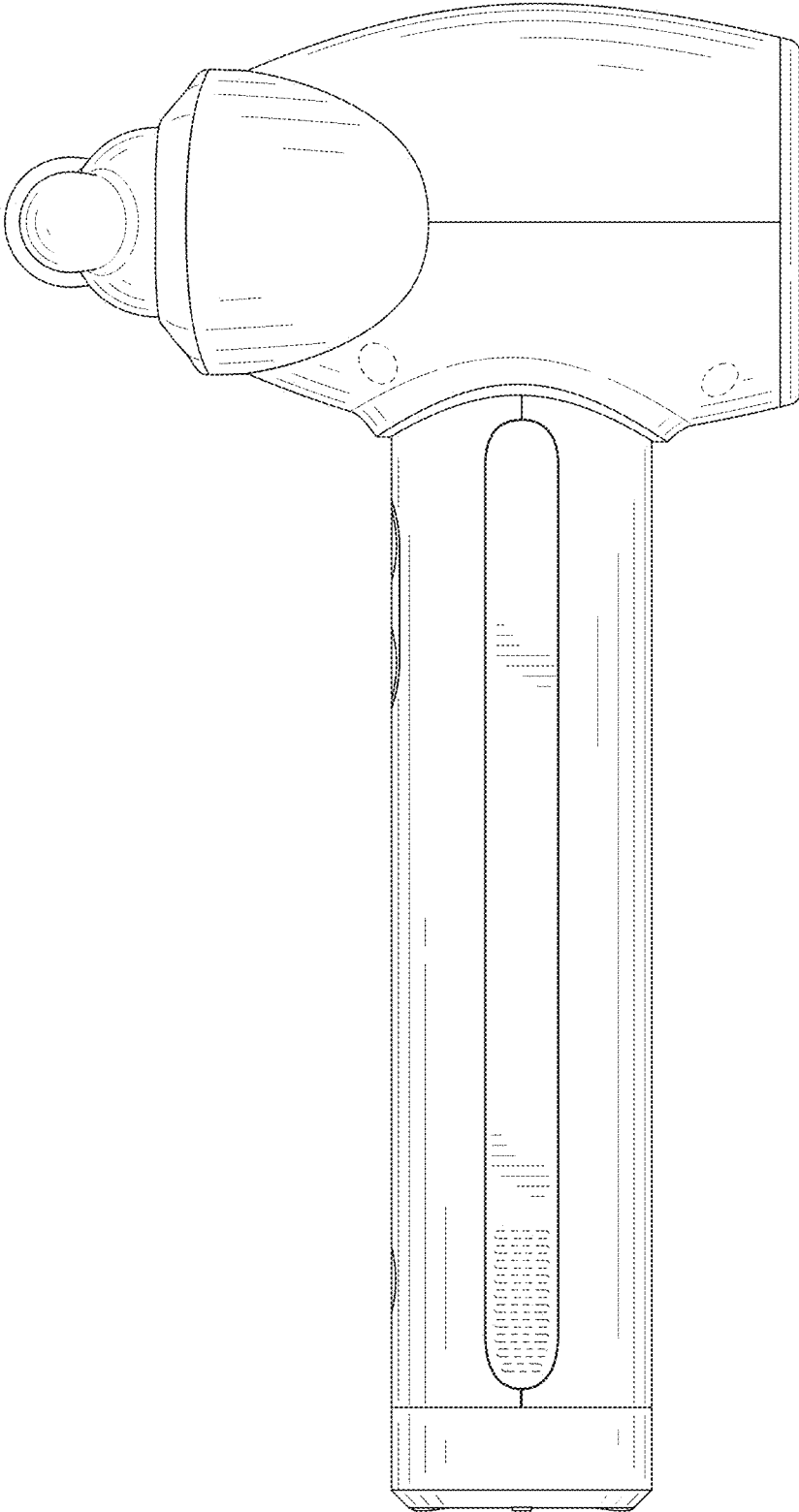


FIG. 6

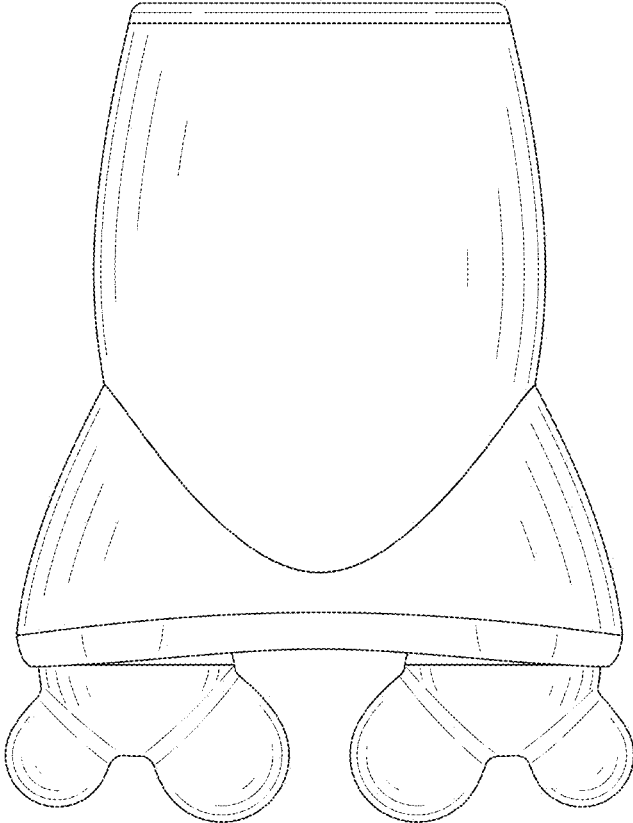


FIG. 7

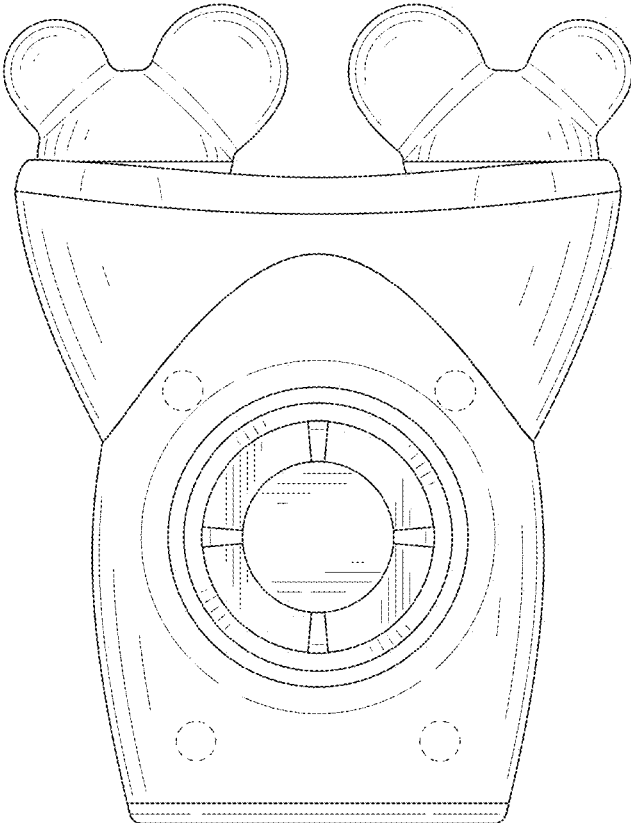


FIG. 8