



US00D970588S

(12) **United States Design Patent**  
**Li**

(10) **Patent No.:** **US D970,588 S**

(45) **Date of Patent:** **\*\* Nov. 22, 2022**

(54) **CAR VIDEO RECORDER**

(71) Applicant: **Suqiong Li, Xiantao (CN)**

(72) Inventor: **Suqiong Li, Xiantao (CN)**

(\*\*) Term: **15 Years**

(21) Appl. No.: **29/778,165**

(22) Filed: **Apr. 12, 2021**

(51) **LOC (13) Cl.** ..... **16-01**

(52) **U.S. Cl.**  
USPC ..... **D16/218; D16/208**

(58) **Field of Classification Search**

USPC ..... D16/200–208, 210, 214, 218, 219;  
D10/65, 70; 348/373–376; 358/906;  
396/419, 427, 428, 535, 539–541  
CPC ..... G03B 15/03; G03B 17/02; G03B 17/04;  
G03B 17/56; G03B 19/04; H04N 5/2251;  
H04N 5/2252; H04N 5/2253; H04N  
5/2254; H04N 2101/00

See application file for complete search history.

(56) **References Cited**

**U.S. PATENT DOCUMENTS**

D822,748 S \* 7/2018 Van Deusen ..... D16/208  
D838,303 S \* 1/2019 Brunner ..... D16/202  
D878,448 S \* 3/2020 Kapuria ..... D16/208

D887,475 S \* 6/2020 Hsu ..... D16/208  
D888,127 S \* 6/2020 Lee ..... D16/202  
D893,578 S \* 8/2020 Denby ..... D16/218  
D910,105 S \* 2/2021 Lin ..... D16/202  
D925,643 S \* 7/2021 Hsu ..... D16/208  
D934,943 S \* 11/2021 Zhao ..... D16/218  
D939,604 S \* 12/2021 Su ..... D16/202

\* cited by examiner

*Primary Examiner* — Ramzi Almatrahi

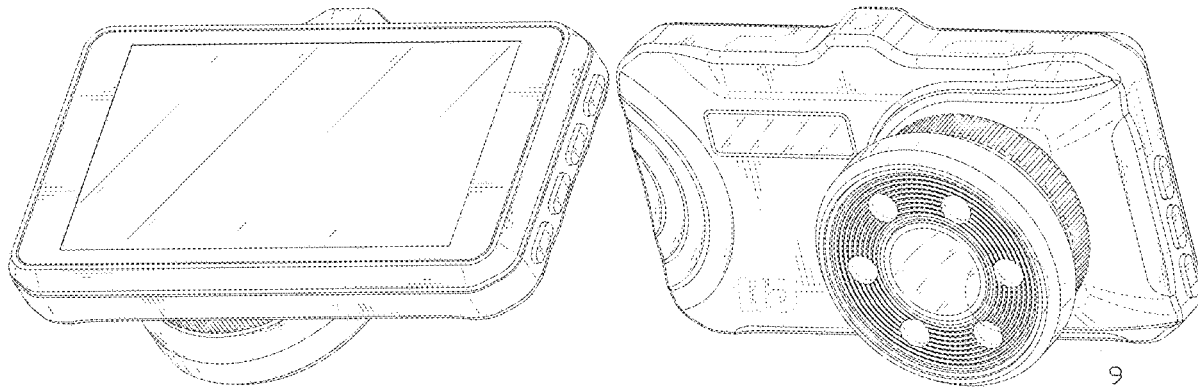
(57) **CLAIM**

The ornamental design for a car video recorder, as shown and described.

**DESCRIPTION**

FIG. 1 is a bottom, front, and right side perspective view of a car video recorder showing my new design; FIG. 2 is a top, rear and left side perspective view thereof; FIG. 3 is a front elevational view thereof; FIG. 4 is a rear elevational view thereof; FIG. 5 is a left side elevational view thereof; FIG. 6 is a right side elevational view thereof; FIG. 7 is a top plan view thereof; FIG. 8 is a bottom plan view thereof; and, FIG. 9 is an enlarged view of portion 9 shown in FIG. 2. The broken lines depict portions of the car video recorder in which the design is embodied that form no part of the claimed design. The dot-dash broken lines encircling an enlargement portion of the design forms no part of the claimed design.

**1 Claim, 9 Drawing Sheets**



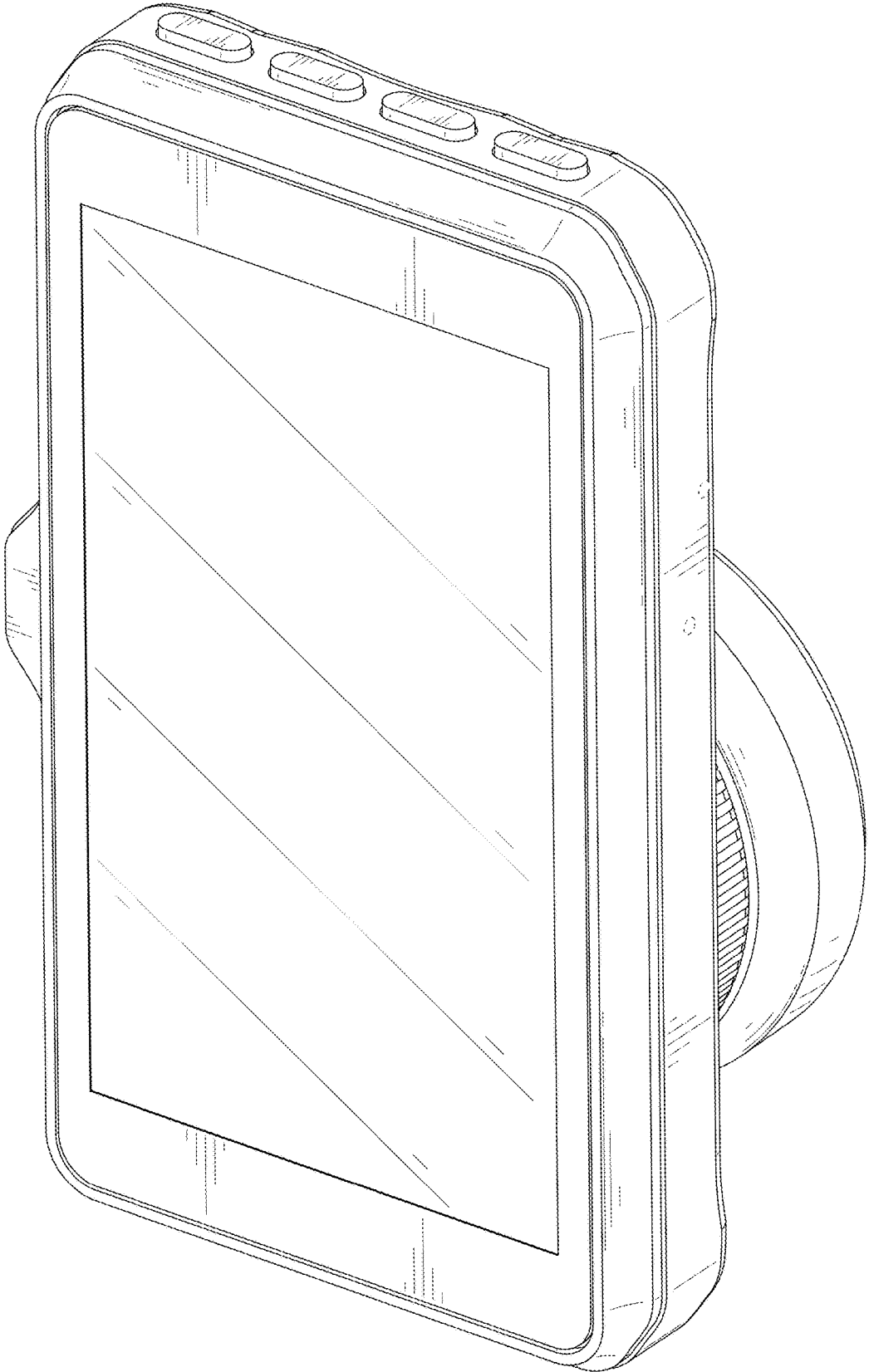


FIG. 1

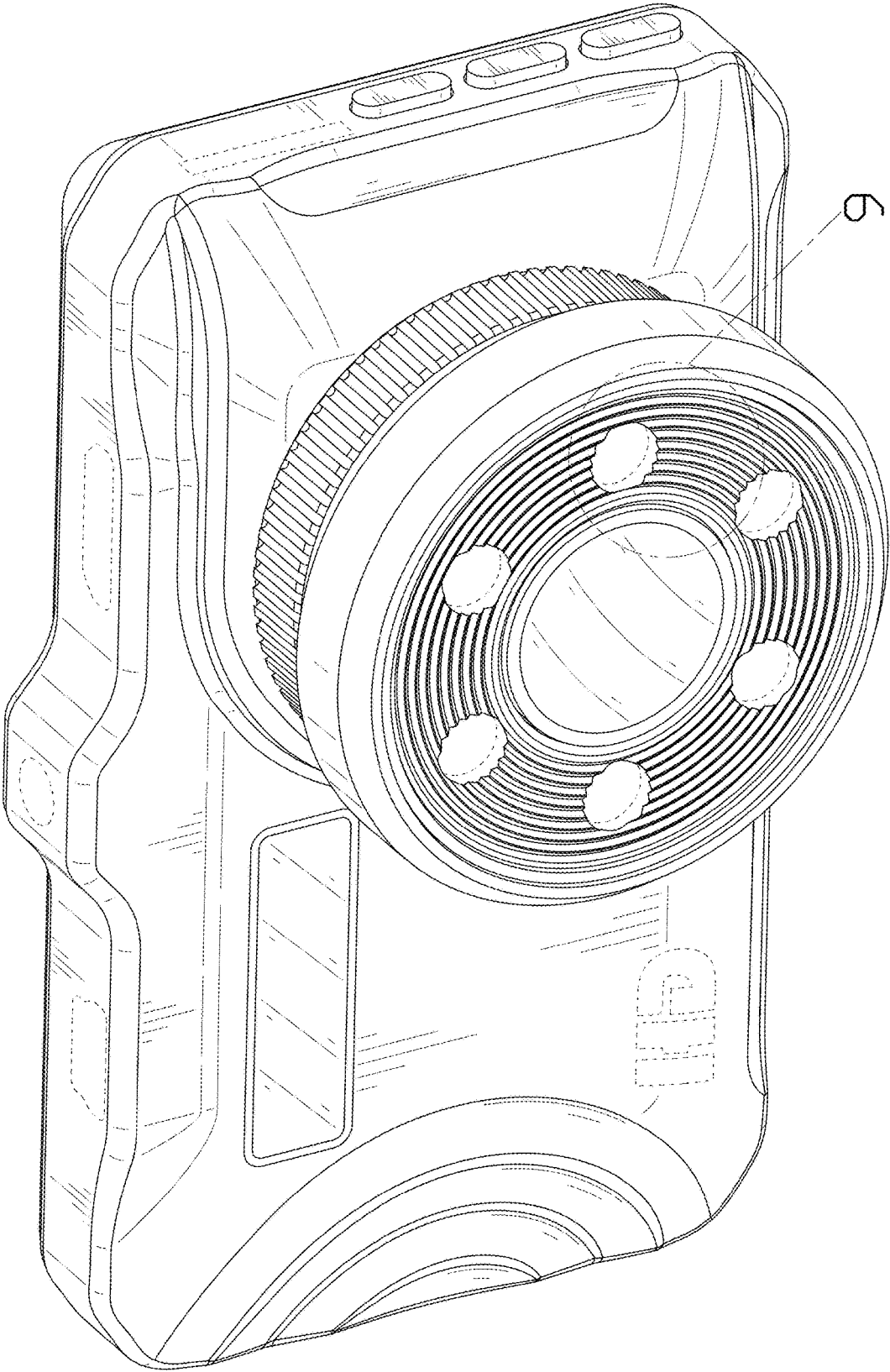


FIG. 2

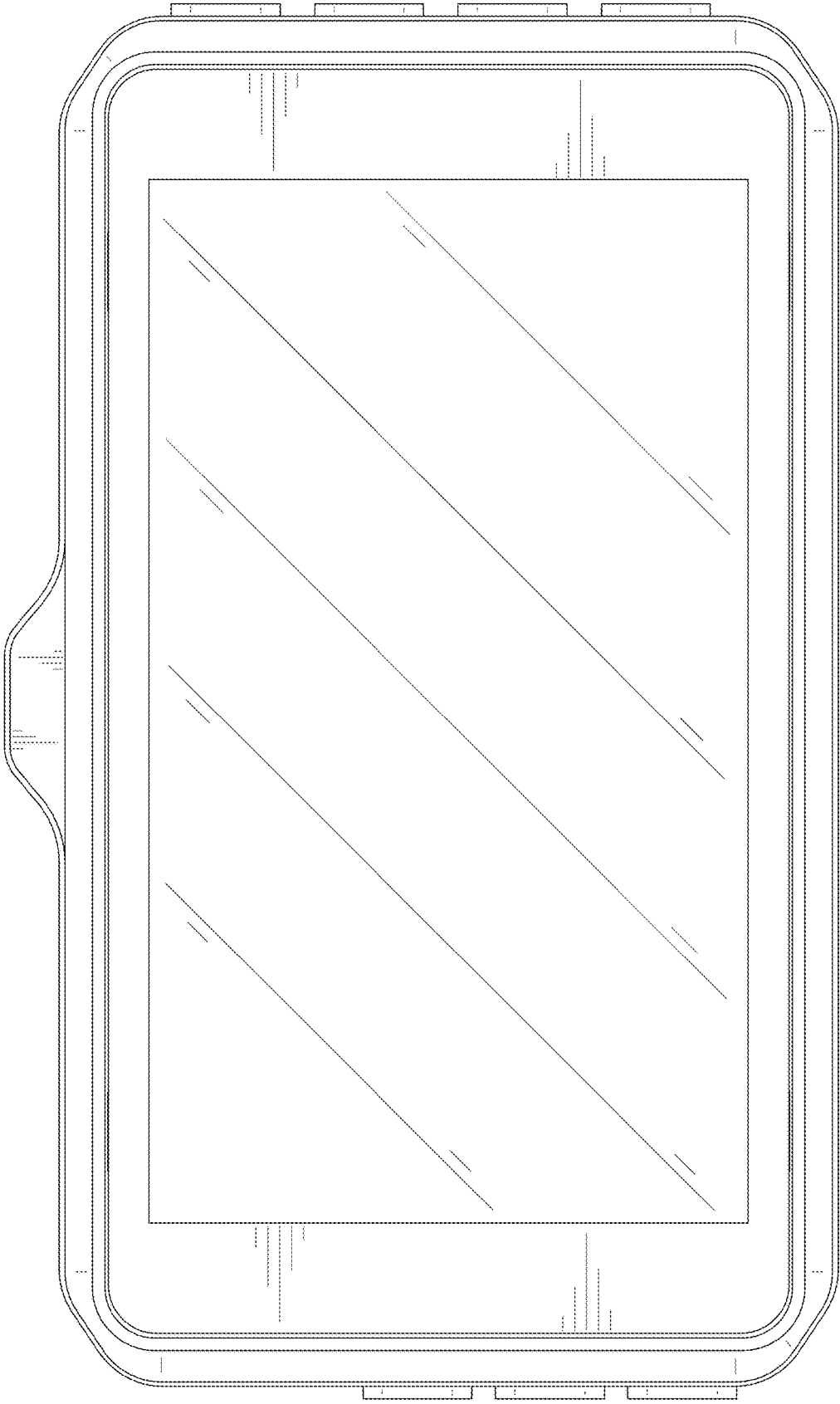


FIG. 3

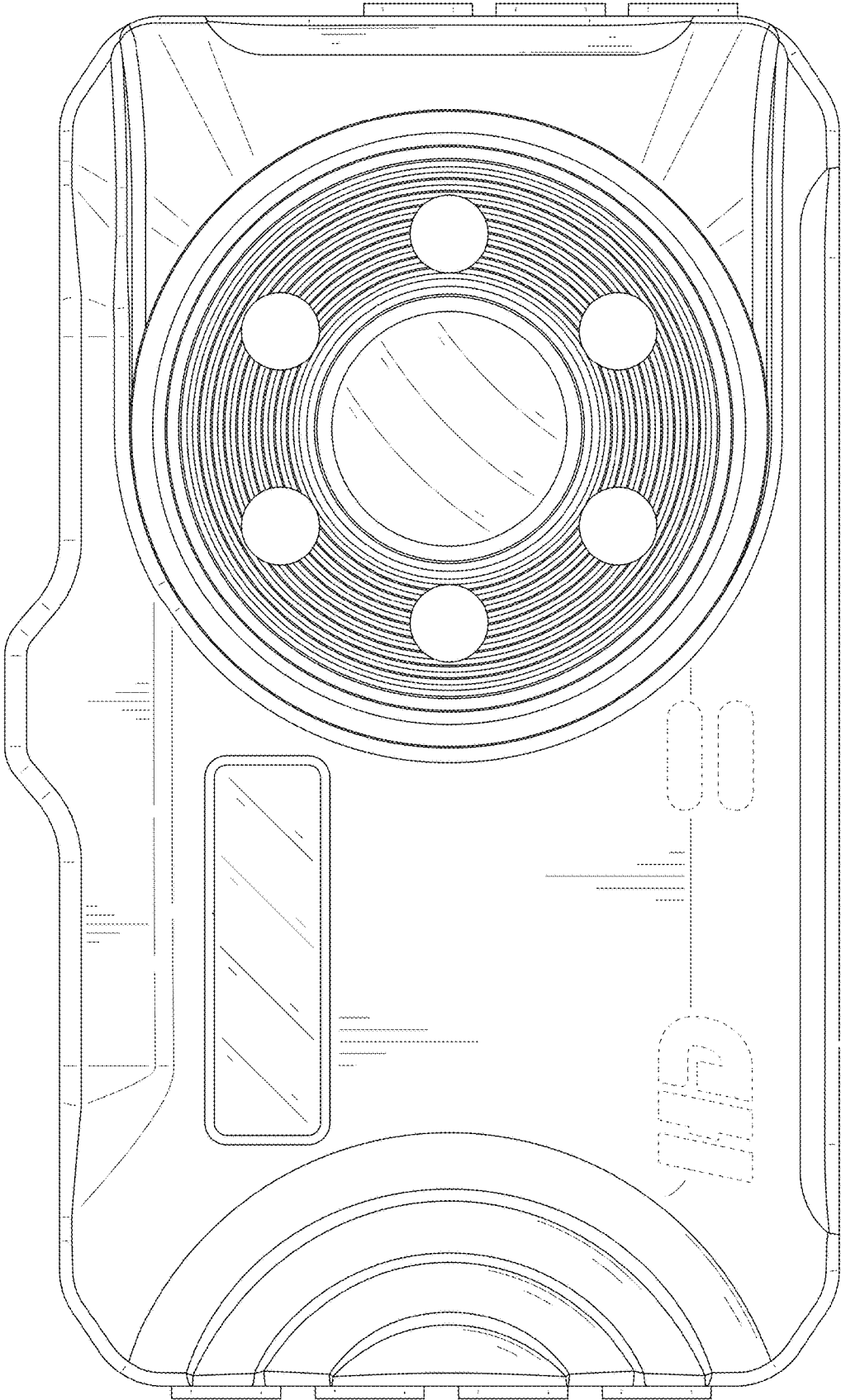


FIG. 4

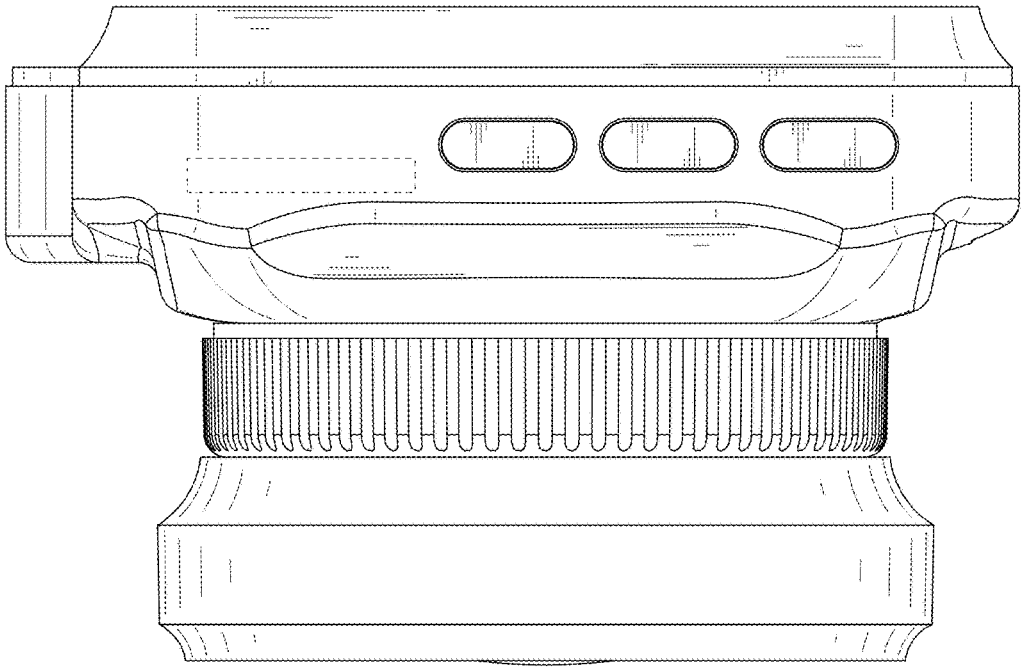


FIG. 5

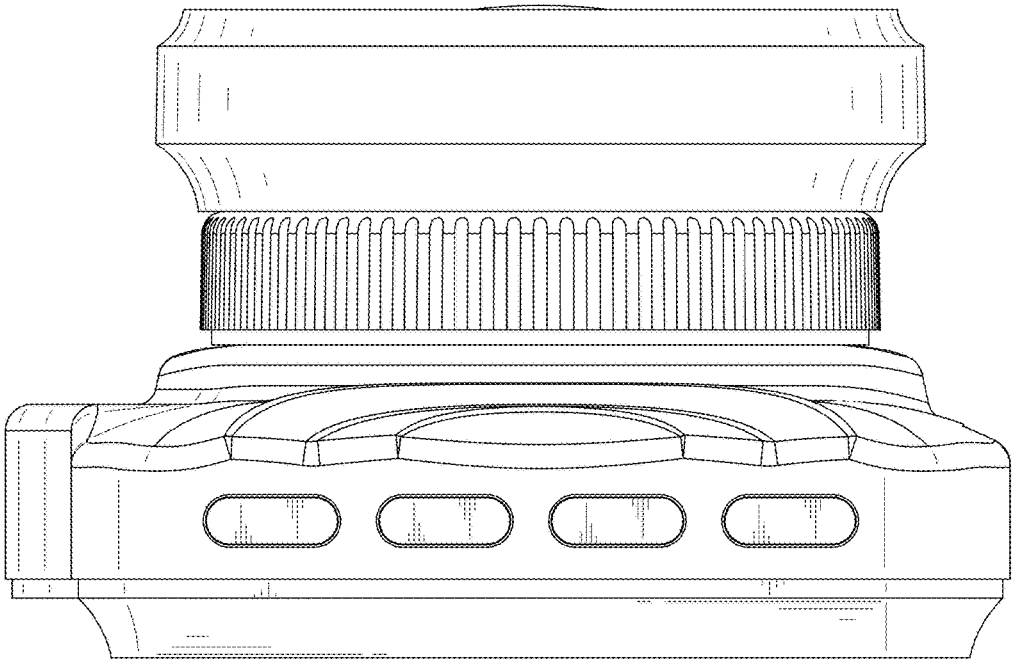


FIG. 6

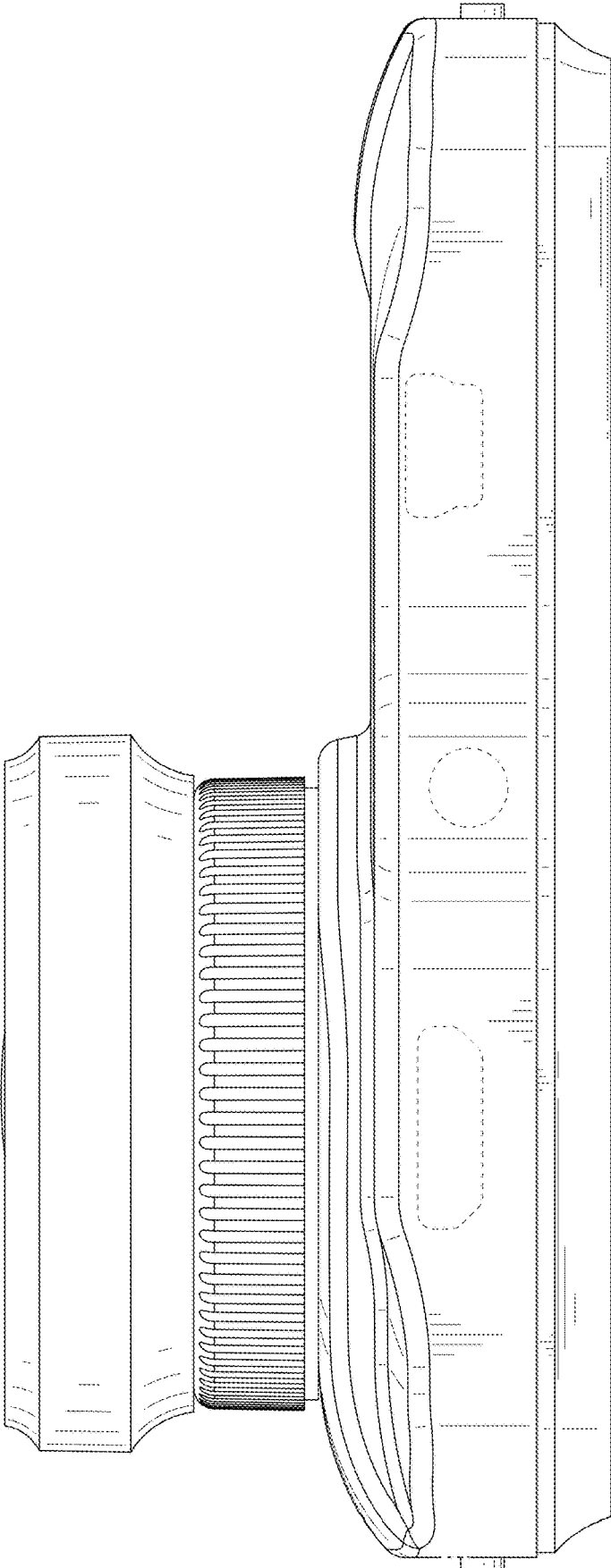


FIG. 7

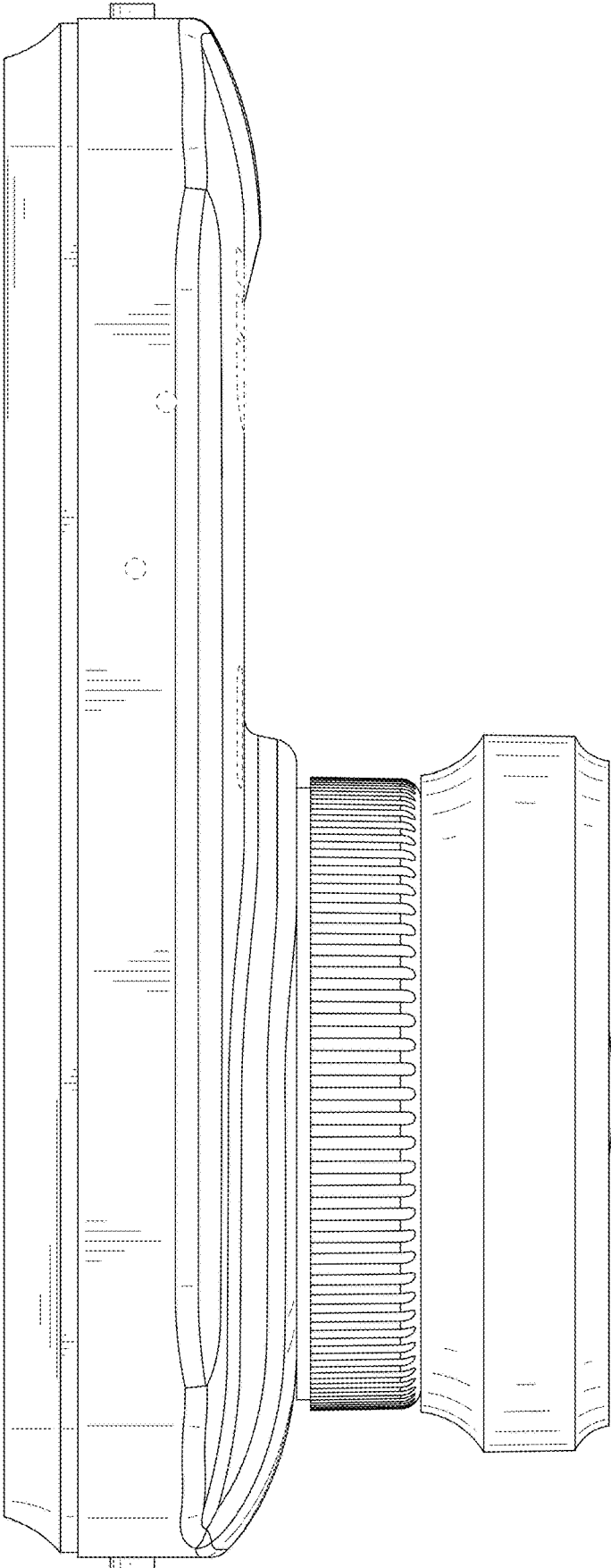


FIG. 8

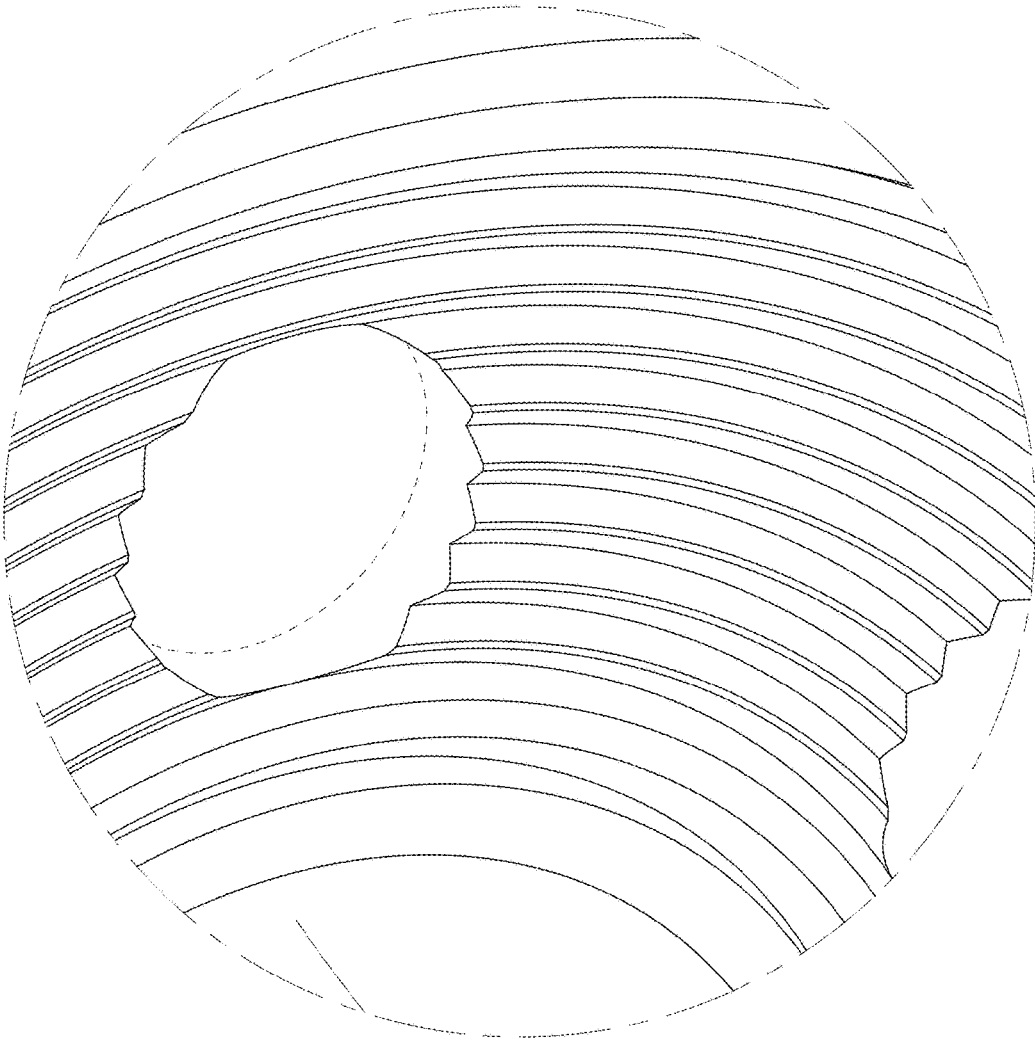


FIG. 9