



(12) **United States Design Patent**
Paterson

(10) **Patent No.:** **US D868,027 S**
(45) **Date of Patent:** **** Nov. 26, 2019**

(54) **COMMUNICATIONS HEADSET OR HEADPHONE**

(71) Applicant: **Plantronics, Inc.**, Santa Cruz, CA (US)

(72) Inventor: **Nicholas W Paterson**, Santa Cruz, CA (US)

(73) Assignee: **Plantronics, Inc.**, Santa Cruz, CA (US)

(**) Term: **15 Years**

(21) Appl. No.: **29/653,425**

(22) Filed: **Jun. 14, 2018**

(51) **LOC (12) Cl.** **14-01**

(52) **U.S. Cl.**

USPC **D14/205**; D14/206; D14/226

(58) **Field of Classification Search**

USPC D14/205, 206, 372; D28/41; 132/275;
D29/112; 2/209; 181/129, 130, 135;
379/430, 431; 381/380, 381, 374, 370,
381/74; 455/90.3, 575.1, 569.1, 575.2
CPC H04R 25/00; H04R 25/02; H04R 1/1066;
H04R 1/1016; H04R 5/033; H04R
5/0335; H04R 1/10; H04R 1/1091; H04R
1/1058

See application file for complete search history.

(56) **References Cited**

U.S. PATENT DOCUMENTS

1,483,315 A * 2/1924 Saal H04R 1/1066
381/374
2,360,027 A * 10/1944 Werner H04M 1/05
379/430
D254,183 S * 2/1980 Doodson D14/205
D262,019 S * 11/1981 Upshaw D14/205
D291,198 S * 8/1987 Bellini D14/205
4,796,307 A * 1/1989 Vantine A63B 71/10
2/13
D302,429 S * 7/1989 Leer D14/137
D315,561 S * 3/1991 Miller D14/192

5,117,465 A * 5/1992 MacDonald H04R 1/10
381/150
D358,391 S * 5/1995 Isono D14/205
6,016,347 A * 1/2000 Magnasco H04R 1/1041
379/430
D423,012 S * 4/2000 Yasutomi D14/205
6,496,589 B1 * 12/2002 Pham H04R 1/08
381/370
D484,485 S * 12/2003 Matsuoka D14/205
(Continued)

FOREIGN PATENT DOCUMENTS

EM 002814079-0001 * 10/2015
EM 002814079-0002 * 10/2015

(Continued)

OTHER PUBLICATIONS

Paterson et al., "Communications Headset or Headphone," Design U.S. Appl. No. 29/606,288, filed Jun. 2, 2017 (12 pages).

Primary Examiner — Paula Allen Greene

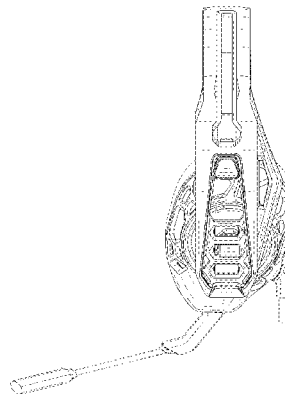
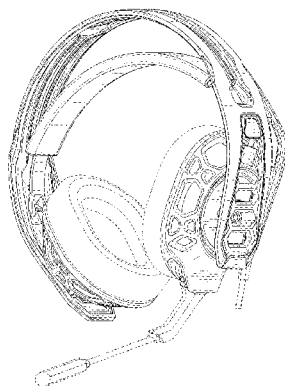
(57) **CLAIM**

The ornamental design for a communications headset or headphone, as shown and described.

DESCRIPTION

FIG. 1 is a front-right perspective view of a communications headset or headphone showing my new design; FIG. 2 is a back-left perspective view thereof; FIG. 3 is a front view thereof; FIG. 4 is a back view thereof; FIG. 5 is a left-side view thereof; FIG. 6 is a right-side view thereof; FIG. 7 is a top view thereof; and, FIG. 8 is a bottom view thereof. The broken lines showing the unclaimed features form no part of the claimed design.

1 Claim, 8 Drawing Sheets



(56)

References Cited

U.S. PATENT DOCUMENTS

6,678,897	B2 *	1/2004	Lindgren	A61F 11/14 181/129
6,724,906	B2 *	4/2004	Naksen	H04R 1/1066 381/370
6,772,853	B2 *	8/2004	Yang	H04R 1/1066 181/129
D502,939	S *	3/2005	Dayan	D14/216
D517,527	S *	3/2006	Suzuki	D14/205
D549,688	S *	8/2007	Suzuki	D14/205
D566,689	S *	4/2008	Wang	D14/206
7,457,649	B1 *	11/2008	Wilson	H04R 1/1025 379/428.02
D604,266	S *	11/2009	Milde	D14/205
7,735,154	B2 *	6/2010	Gellis	A61F 11/14 2/209
D620,474	S *	7/2010	Komiyama	D14/205
D622,490	S *	8/2010	McClaskie	D2/951
D634,732	S *	3/2011	Kondo	D14/205
D635,958	S *	4/2011	Ando	D14/205
D641,727	S *	7/2011	Krauss	D14/206
D645,023	S *	9/2011	Brandis	D14/206
8,050,444	B2 *	11/2011	Smith	H04R 1/1066 381/370
8,213,667	B2 *	7/2012	Nelson	F16C 11/06 381/370
8,443,467	B2 *	5/2013	Chiang	A61F 11/06 2/209
D690,284	S *	9/2013	Brennwald	D14/205
D696,229	S *	12/2013	LoRusso	D14/206
8,732,864	B2 *	5/2014	Fountain	A61F 11/14 2/209
D713,375	S *	9/2014	Dedinas	D14/206
D713,376	S *	9/2014	Dedinas	D14/206
D723,509	S *	3/2015	Garland	D14/205
D725,636	S *	3/2015	McNamara	D14/205
D732,001	S *	6/2015	Licht	D14/205
D745,860	S *	12/2015	Logan	D14/206
D746,793	S *	1/2016	Logan	D14/206
D766,206	S *	9/2016	Paterson	D14/205
D766,207	S *	9/2016	Paterson	D14/205
D766,208	S *	9/2016	Paterson	D14/205
D788,071	S *	5/2017	Logan	D14/205
D800,091	S *	10/2017	Paterson	D14/206
D800,092	S *	10/2017	Paterson	D14/206
9,788,100	B2 *	10/2017	Essabar	H04R 1/1033
D805,257	S *	12/2017	Maansson	D29/122
D807,585	S *	1/2018	Fletcher	D29/112
9,866,946	B2 *	1/2018	Chen	H04B 1/385
D843,343	S *	3/2019	Paterson	D14/205
10,231,055	B2 *	3/2019	Nyegaard	H04R 1/1058
D848,973	S *	5/2019	Karacal	D14/205
2001/0017925	A1 *	8/2001	Ceravolo	H04M 1/05 381/370
2003/0037366	A1 *	2/2003	Lindgren	A61F 11/14 2/209
2003/0210801	A1 *	11/2003	Naksen	H04R 1/1066 381/370
2006/0104471	A1 *	5/2006	Tsunoda	H04R 1/1041 381/374
2011/0194721	A1 *	8/2011	Schmidt	H04R 1/1066 381/370
2014/0177884	A1 *	6/2014	Minarik	H04R 1/1066 381/309
2015/0195640	A1 *	7/2015	Essabar	H04R 1/1033 381/378
2016/0277828	A1 *	9/2016	Oh	H04R 1/105
2017/0347194	A1 *	11/2017	Nyegaard	H04R 1/1058

FOREIGN PATENT DOCUMENTS

EM	002814079-0003	*	10/2015
EM	003494863-0001	*	12/2016
EM	003494897-0001	*	12/2016

* cited by examiner

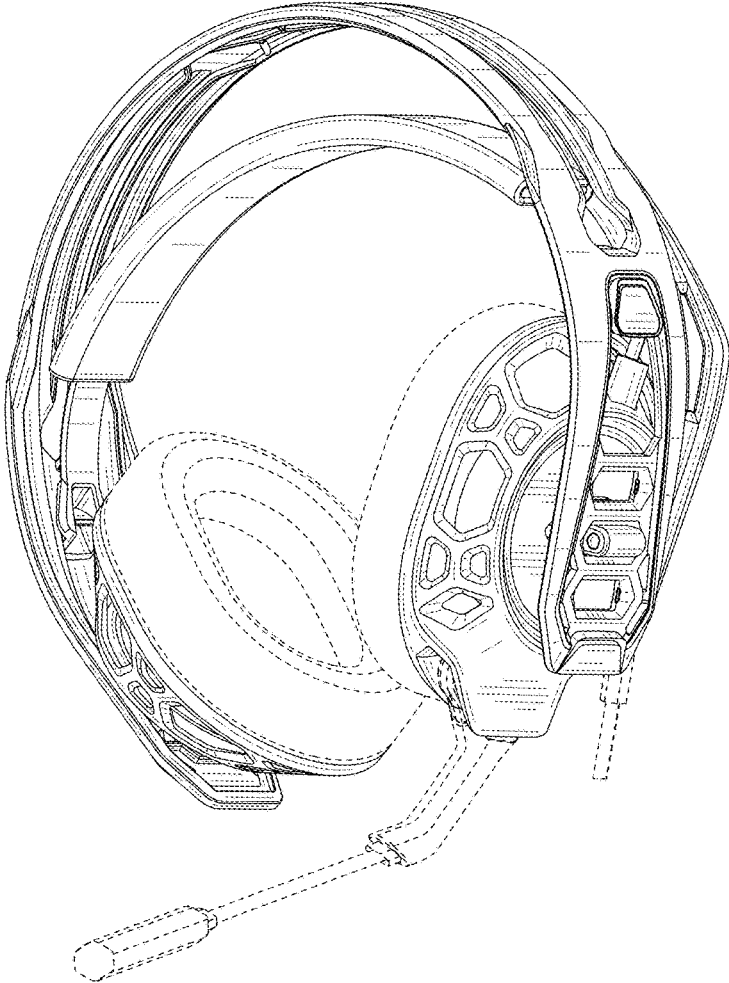


FIG. 1

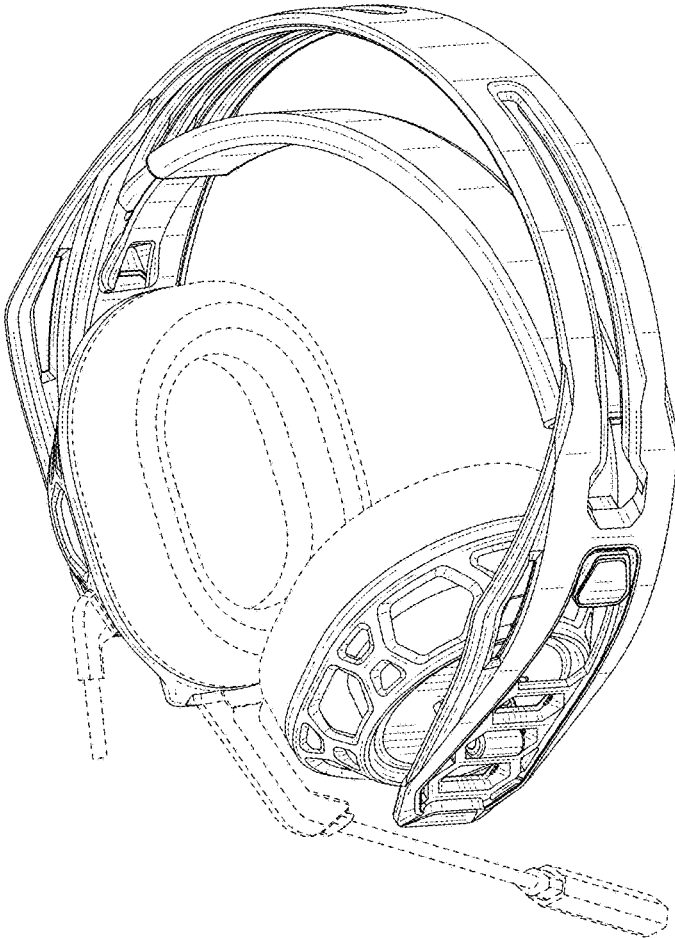


FIG. 2

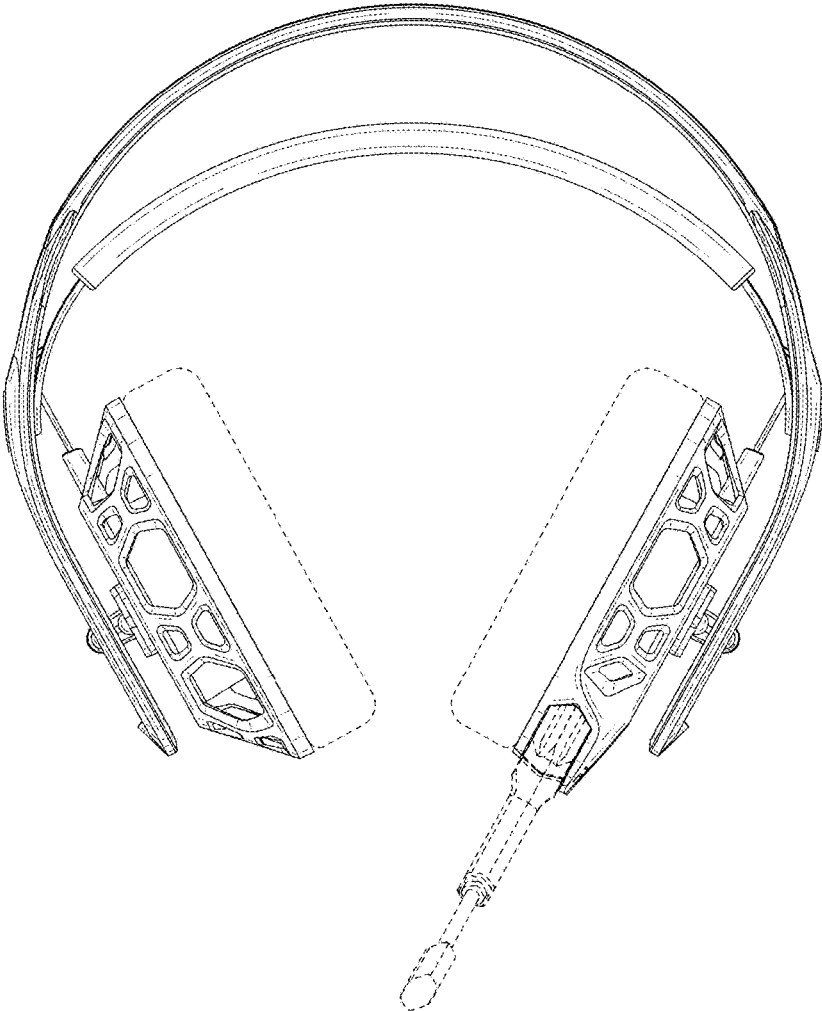


FIG. 3

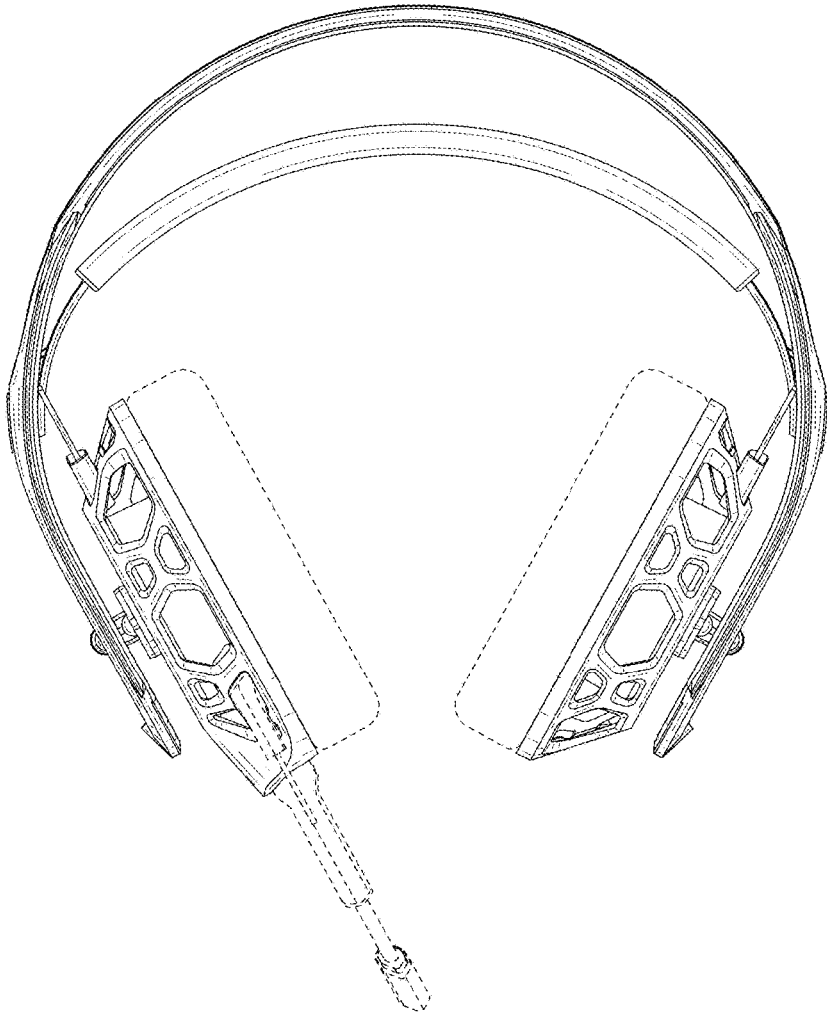


FIG. 4

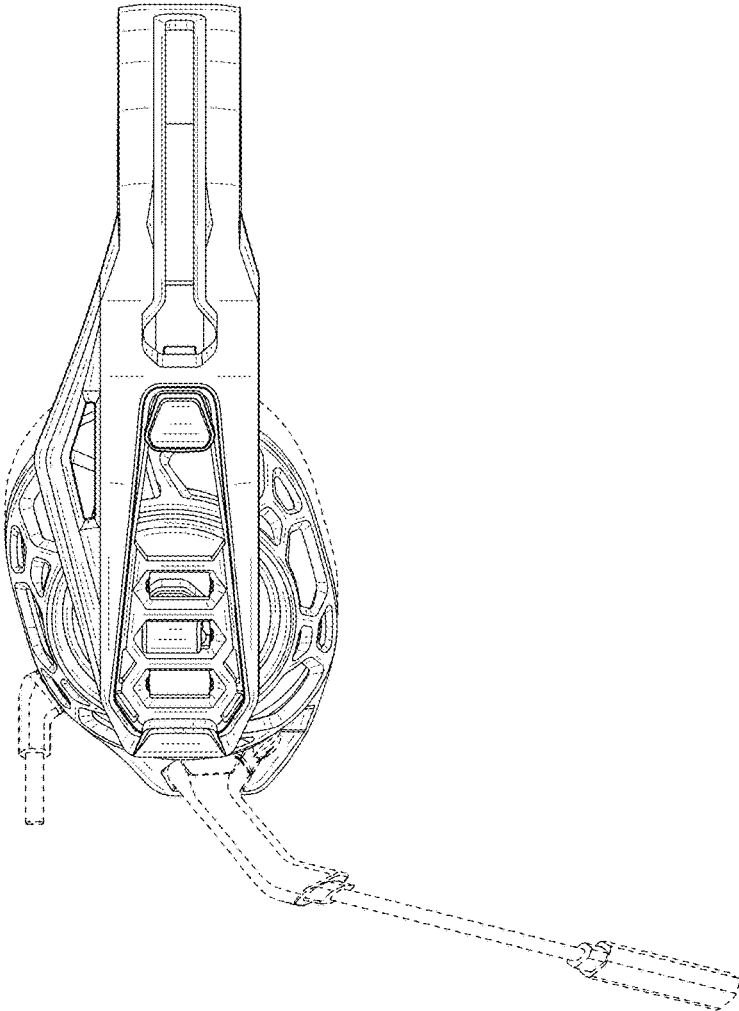


FIG. 5

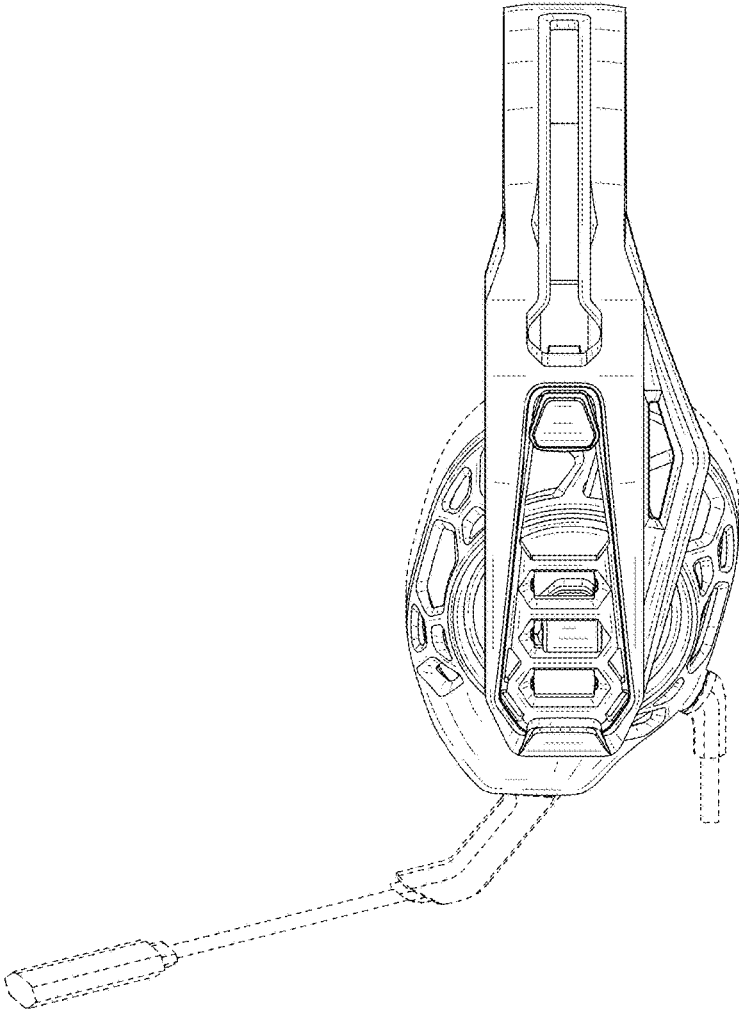


FIG. 6

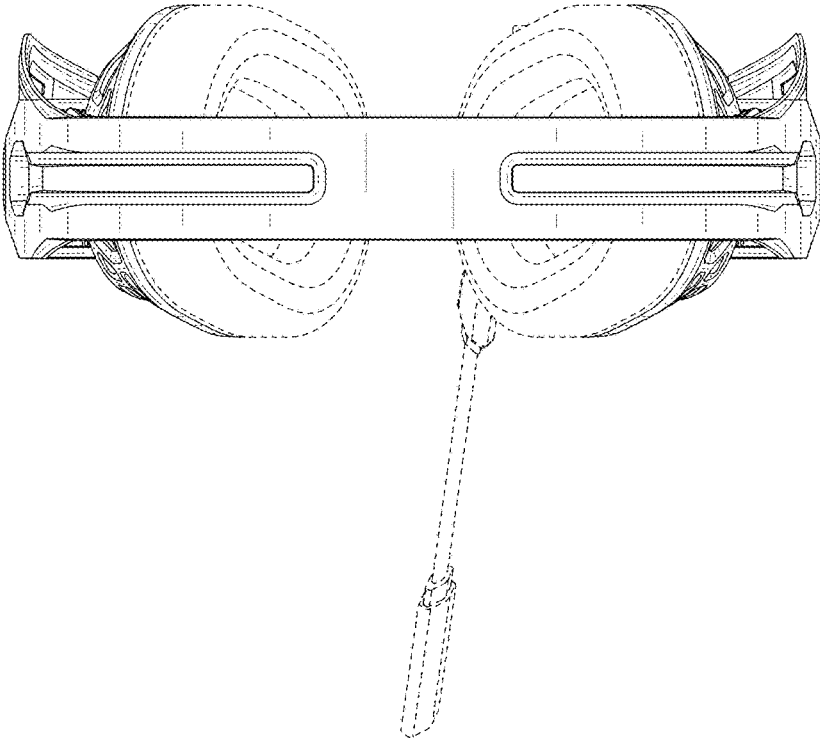


FIG. 7

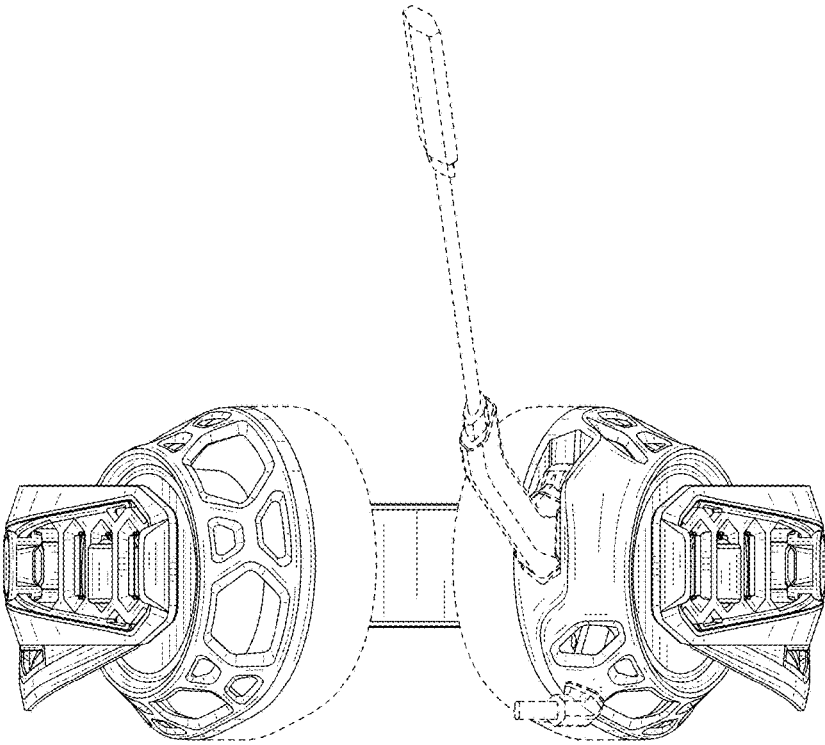


FIG. 8