

(19) World Intellectual Property Organization
International Bureau



(43) International Publication Date
24 July 2008 (24.07.2008)

PCT

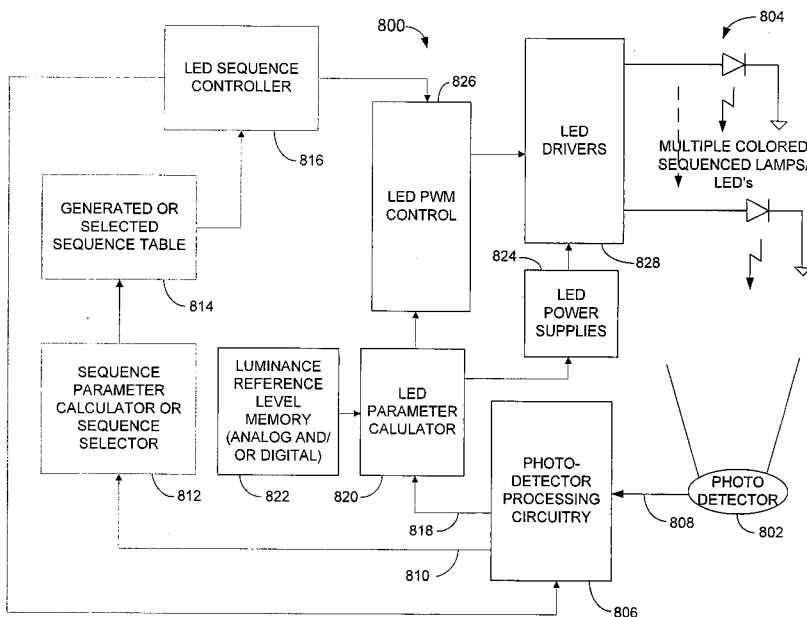
(10) International Publication Number
WO 2008/088892 A3

- (51) International Patent Classification:
G09G 3/34 (2006.01) G02B 26/04 (2006.01)
- (21) International Application Number:
PCT/US2008/000714
- (22) International Filing Date: 18 January 2008 (18.01.2008)
- (25) Filing Language: English
- (26) Publication Language: English
- (30) Priority Data:
60/881,797 19 January 2007 (19.01.2007) US
- (71) Applicant (for all designated States except US): **PIX-TRONIX, INC.** [US/US]; 100 Burt Road, Suite 123, Andover, MA 01810 (US).
- (72) Inventors; and
- (75) Inventors/Applicants (for US only): **LEWIS, Stephen, R.** [US/US]; 40 Catherine Avenue, Reading, MA 01867 (US). **GANDHI, Jignesh** [US/US]; 9 Kingsdale Street, Burlington, MA 01803 (US). **FIJOL, John, J.** [US/US]; 19 Wadsworth Road, Shrewsbury, MA 01545-1432 (US). **MCALLISTER, Abraham** [US/US]; 3806 Hillcrest Lane, Annandale, VA 22003 (US).
- (74) Agents: **KELLY, Edward, J.** et al.; ROPES & GRAY LLP, One International Place, Boston, MA 02110 (US).

- (81) Designated States (unless otherwise indicated, for every kind of national protection available): AE, AG, AL, AM, AO, AT, AU, AZ, BA, BB, BG, BH, BR, BW, BY, BZ, CA, CH, CN, CO, CR, CU, CZ, DE, DK, DM, DO, DZ, EC, EE, EG, ES, FI, GB, GD, GE, GH, GM, GT, HN, HR, HU, ID, IL, IN, IS, JP, KE, KG, KM, KN, KP, KR, KZ, LA, LC, LK, LR, LS, LT, LU, LY, MA, MD, ME, MG, MK, MN, MW, MX, MY, MZ, NA, NG, NI, NO, NZ, OM, PG, PH, PL, PT, RO, RS, RU, SC, SD, SE, SG, SK, SL, SM, SV, SY, TJ, TM, TN, TR, TT, TZ, UA, UG, US, UZ, VC, VN, ZA, ZM, ZW.
- (84) Designated States (unless otherwise indicated, for every kind of regional protection available): ARIPO (BW, GH, GM, KE, LS, MW, MZ, NA, SD, SL, SZ, TZ, UG, ZM, ZW), Eurasian (AM, AZ, BY, KG, KZ, MD, RU, TJ, TM), European (AT, BE, BG, CH, CY, CZ, DE, DK, EE, ES, FI, FR, GB, GR, HR, HU, IE, IS, IT, LT, LU, LV, MC, MT, NL, NO, PL, PT, RO, SE, SI, SK, TR), OAPI (BF, BJ, CF, CG, CI, CM, GA, GN, GQ, GW, ML, MR, NE, SN, TD, TG).

- Published:
 - with international search report
 - before the expiration of the time limit for amending the claims and to be republished in the event of receipt of amendments
- (88) Date of publication of the international search report:
12 September 2008

(54) Title: SENSOR-BASED FEEDBACK FOR DISPLAY APPARATUS



(57) Abstract: The invention relates to methods and apparatus for feedback control of image and color quality in a direct-view MEMS display apparatus. The display apparatus includes a lamp capable of providing light, a sensor capable of detecting information indicative of characteristics of light provided by the lamp and outputting a sensor signal based at least partially on the information, and control circuitry for controlling illumination of the lamp based at least partially on the sensor signal.

WO 2008/088892 A3

INTERNATIONAL SEARCH REPORT

International application No
PCT/US2008/000714

A. CLASSIFICATION OF SUBJECT MATTER INV. G09G3/34 G02B26/04		
According to International Patent Classification (IPC) or to both national classification and IPC		
B. FIELDS SEARCHED		
Minimum documentation searched (classification system followed by classification symbols) G09G G02B		
Documentation searched other than minimum documentation to the extent that such documents are included in the fields searched		
Electronic data base consulted during the international search (name of data base and, where practical, search terms used) EPO-Internal, WPI Data		
C. DOCUMENTS CONSIDERED TO BE RELEVANT		
Category*	Citation of document, with indication, where appropriate, of the relevant passages	Relevant to claim No.
Y	US 2006/250325 A1 (HAGOOD NESBITT W [US] ET AL) 9 November 2006 (2006-11-09) paragraphs [0001] - [0017], [0042] - [0057], [0116], [0131], [0191] - [0208]; figures 1a, 1b, 2, 5a, 9	1-24
Y	EP 1 734 502 A (SONY ERICSSON MOBILE COMM AB [SE]) 20 December 2006 (2006-12-20) the whole document	1-24
Y	US 6 069 676 A (YUYAMA HARUMI [JP]) 30 May 2000 (2000-05-30) the whole document	1, 2, 12, 18
<input type="checkbox"/> Further documents are listed in the continuation of Box C. <input checked="" type="checkbox"/> See patent family annex.		
* Special categories of cited documents : *A* document defining the general state of the art which is not considered to be of particular relevance *E* earlier document but published on or after the international filing date *L* document which may throw doubts on priority claim(s) or which is cited to establish the publication date of another citation or other special reason (as specified) *O* document referring to an oral disclosure, use, exhibition or other means *P* document published prior to the international filing date but later than the priority date claimed *T* later document published after the international filing date or priority date and not in conflict with the application but cited to understand the principle or theory underlying the invention *X* document of particular relevance; the claimed invention cannot be considered novel or cannot be considered to involve an inventive step when the document is taken alone *Y* document of particular relevance; the claimed invention cannot be considered to involve an inventive step when the document is combined with one or more other such documents, such combination being obvious to a person skilled in the art. *8* document member of the same patent family		
Date of the actual completion of the international search 25 June 2008		Date of mailing of the international search report 02/07/2008
Name and mailing address of the ISA/ European Patent Office, P.B. 5818 Patentlaan 2 NL - 2280 HV Rijswijk Tel. (+31-70) 340-2040, Tx. 31 651 epo nl, Fax: (+31-70) 340-3016		Authorized officer Gartlan, Michael

INTERNATIONAL SEARCH REPORT

Information on patent family members

International application No

PCT/US2008/000714

Patent document cited in search report	Publication date	Patent family member(s)	Publication date
US 2006250325 A1	09-11-2006	KR 20070115965 A US 2007195026 A1	06-12-2007 23-08-2007
EP 1734502 A	20-12-2006	NONE	
US 6069676 A	30-05-2000	JP 4050802 B2 JP 10049074 A	20-02-2008 20-02-1998