



US00D439643S

(12) **United States Design Patent**
Negrao et al.

(10) **Patent No.:** **US D439,643 S**

(45) **Date of Patent:** **** Mar. 27, 2001**

(54) **FRONT PANEL FOR A ROOM AIR
CONDITIONER**

D. 423,658 * 4/2000 Negrao et al. D23/354
5,184,475 * 2/1993 Matsumi 62/262
5,315,842 * 5/1994 Bolton et al. 62/262

(75) Inventors: **Rogério Ferreira Negrao; Anna Luiza
Morales de Sa Cavalcanti; Antonio
Jorge Pietruza; Guilherme Nehring,**
all of Joinville SC (BR)

* cited by examiner

Primary Examiner—B. J. Bullock
(74) *Attorney, Agent, or Firm*—Andrea Powers Denklau;
Robert O. Rice; Joel M. Van Winkle

(73) Assignees: **Whirlpool Corporation,** Benton
Harbor, MI (US); **Maltibras S.A.**
Eletrodomesticos, Sao Paulo (BR)

(57) **CLAIM**

The ornamental design for a front panel for a room air
conditioner, as shown and described.

(**) Term: **14 Years**

DESCRIPTION

(21) Appl. No.: **29/125,198**

FIG. 1 is a perspective view of a front panel for a room air
conditioner showing our new design.

(22) Filed: **Jun. 20, 2000**

FIG. 2 is an enlarged front elevational view of a front panel
for a room air conditioner showing our new design.

(51) **LOC (7) Cl.** **23-04**

(52) **U.S. Cl.** **D23/354**

(58) **Field of Search** D23/351-4, 333;
312/236; 62/259.1, 259.4, 262, 263, 304,
324.1, DIG. 16; 454/201, 202, 204

FIG. 3 is an enlarged top plan view of a front panel for a
room air conditioner showing our new design; and,

FIG. 4 is an enlarged left side elevational view of a front
panel for a room air conditioner showing our new design, the
right side elevational view being a mirror image.

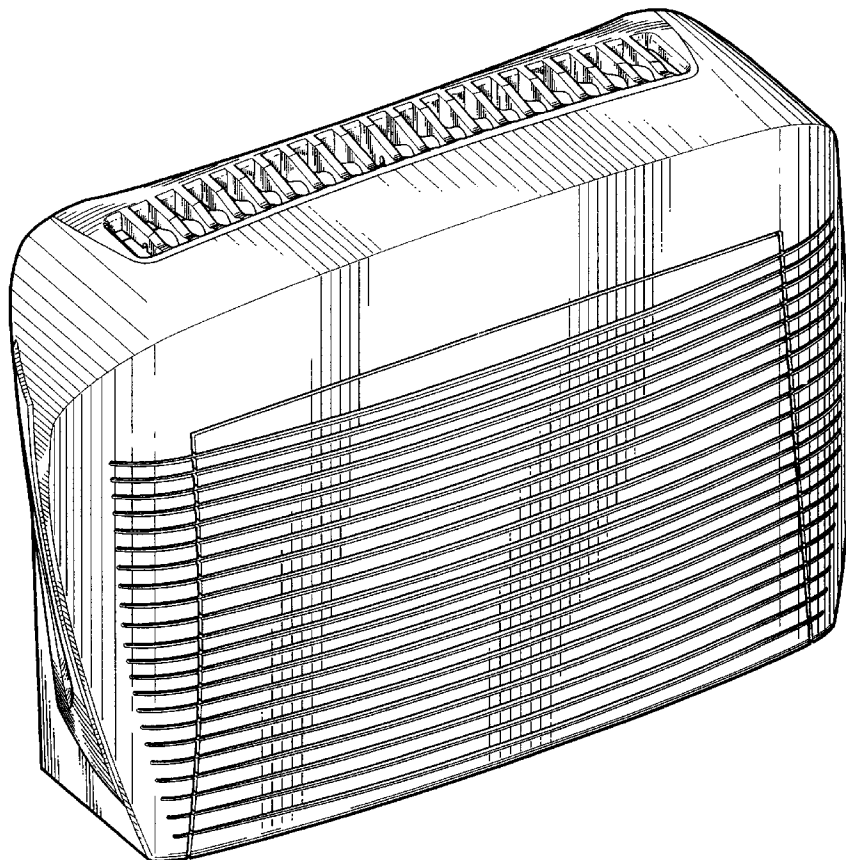
The bottom and rear of the front panel for a room air
conditioner form no part of the claimed design.

(56) **References Cited**

U.S. PATENT DOCUMENTS

D. 154,605 * 7/1949 Guild et al. .
D. 342,781 * 12/1993 Thompson et al. D23/354

1 Claim, 3 Drawing Sheets



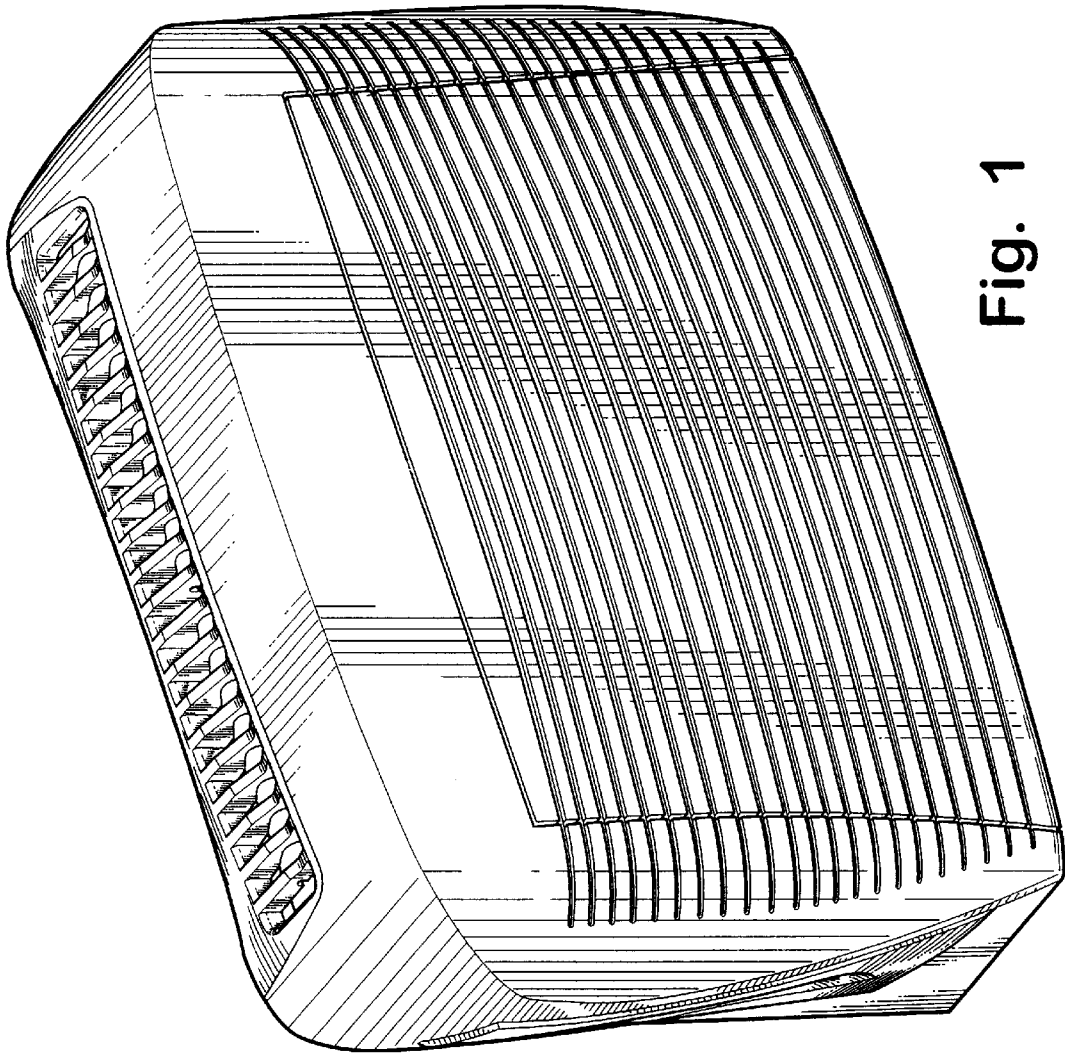


Fig. 1

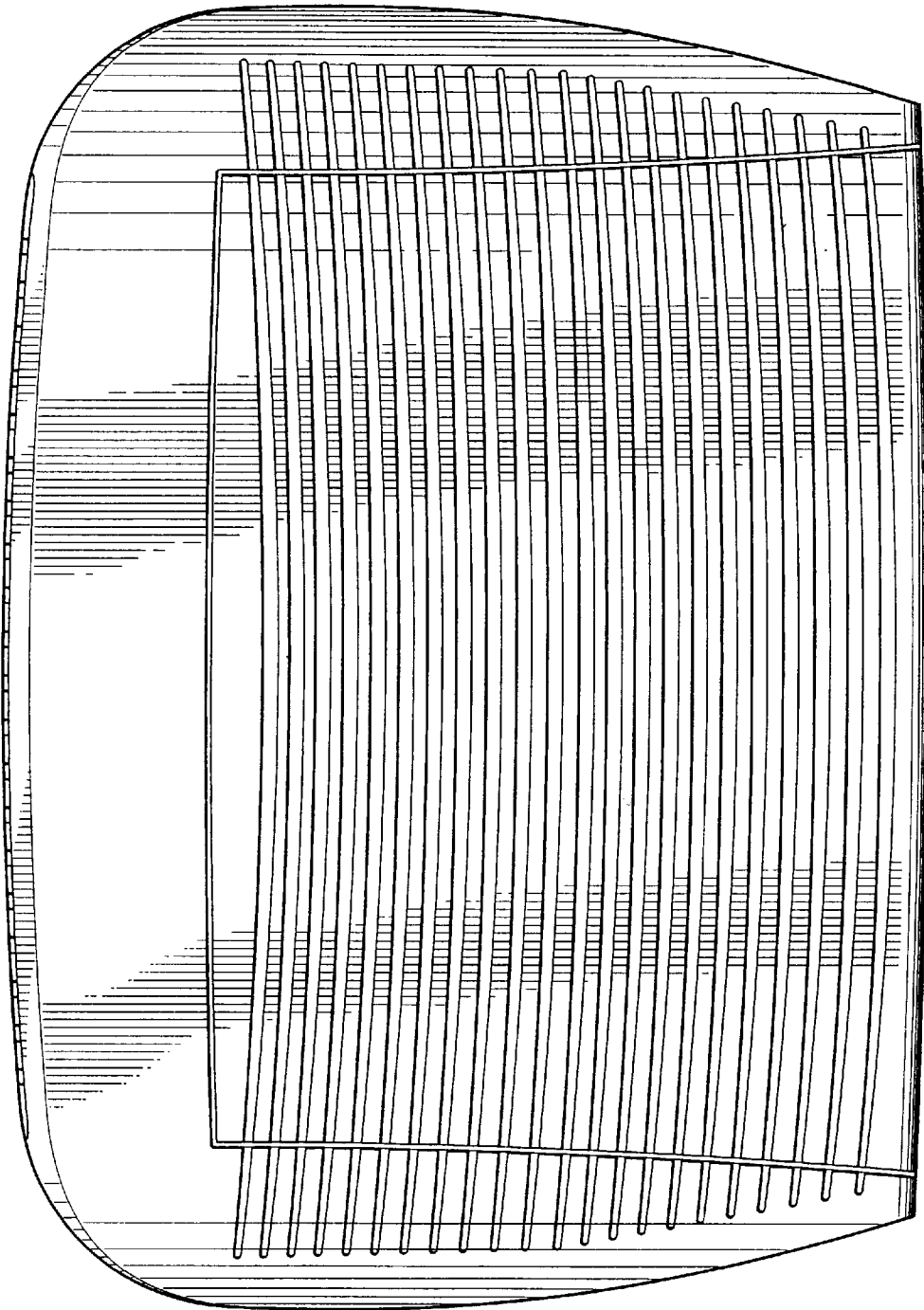


Fig. 2

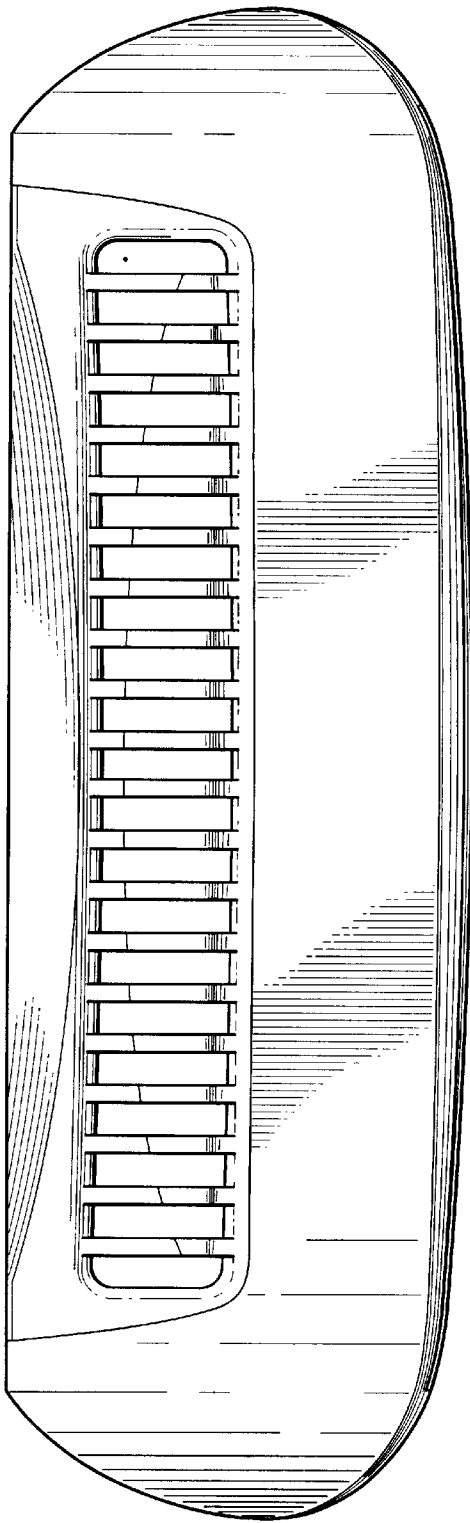


Fig. 3

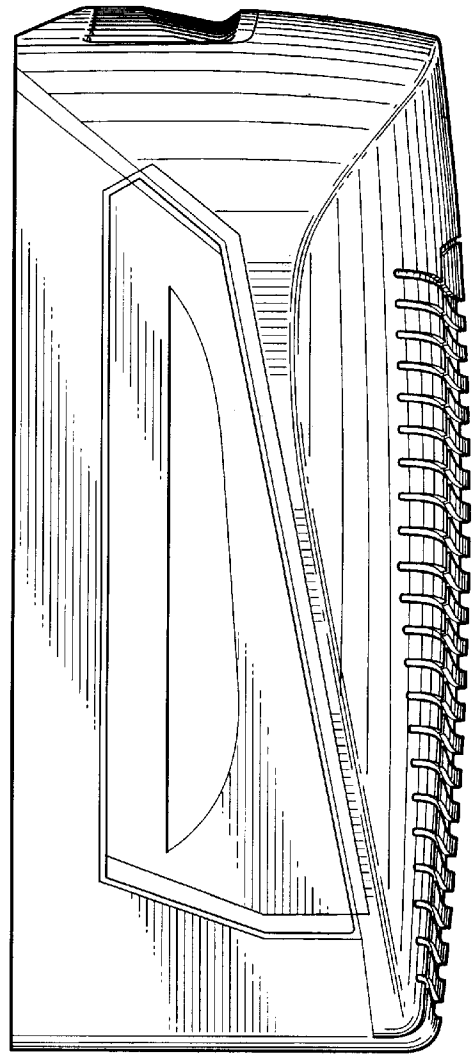


Fig. 4