



US00D487251S

(12) **United States Design Patent**  
**Guion**

(10) **Patent No.:** **US D487,251 S**

(45) **Date of Patent:** **\*\* Mar. 2, 2004**

(54) **WELL SOUND GENERATOR**

2001/0032746 A1 \* 10/2001 Foster ..... 180/300  
2003/0111919 A1 \* 6/2003 Lau ..... 310/89

(76) Inventor: **Walter Guion**, 567 W. Channel Islands Blvd., #139, Port Hueneme, CA (US) 93041

\* cited by examiner

(\*\*) Term: **14 Years**

*Primary Examiner*—Philip S. Hyder  
*Assistant Examiner*—Daniel Bui  
(74) *Attorney, Agent, or Firm*—Jack C. Munro

(21) Appl. No.: **29/174,410**

(57) **CLAIM**

(22) Filed: **Jan. 16, 2003**

The ornamental design for well sound generator, as shown and described.

(51) **LOC (7) Cl.** ..... **13-01**

(52) **U.S. Cl.** ..... **D13/112**

(58) **Field of Search** ..... D13/110, 112-118, D13/184, 199; D15/1-5; 116/56, 61, 62; 248/689; 446/189, 404, 421

**DESCRIPTION**

FIG. 1 is a front elevational view of the well sound generator showing my new design;

FIG. 2 is a top plan view thereof;

FIG. 3 is a bottom plan view thereof;

FIG. 4 is a left end elevational view thereof; and,

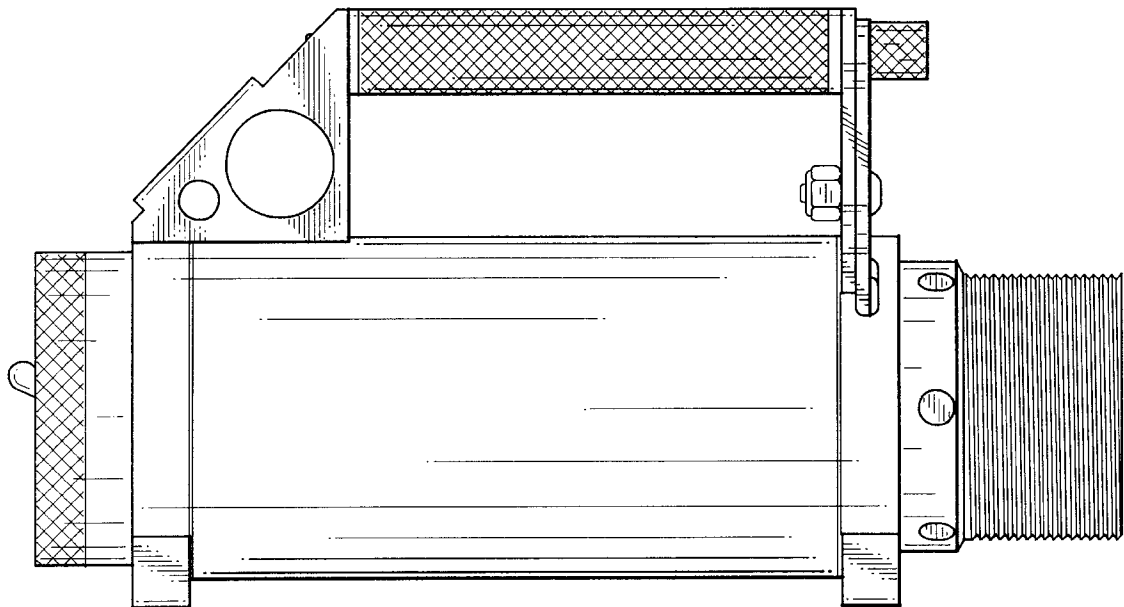
FIG. 5 is a right end elevational view thereof.

(56) **References Cited**

**U.S. PATENT DOCUMENTS**

4,118,644 A \* 10/1978 Schulte et al. .... 310/42  
5,044,509 A \* 9/1991 Petrosky et al. .... 215/366  
6,186,637 B1 \* 2/2001 Murrietta ..... 362/101

**1 Claim, 3 Drawing Sheets**



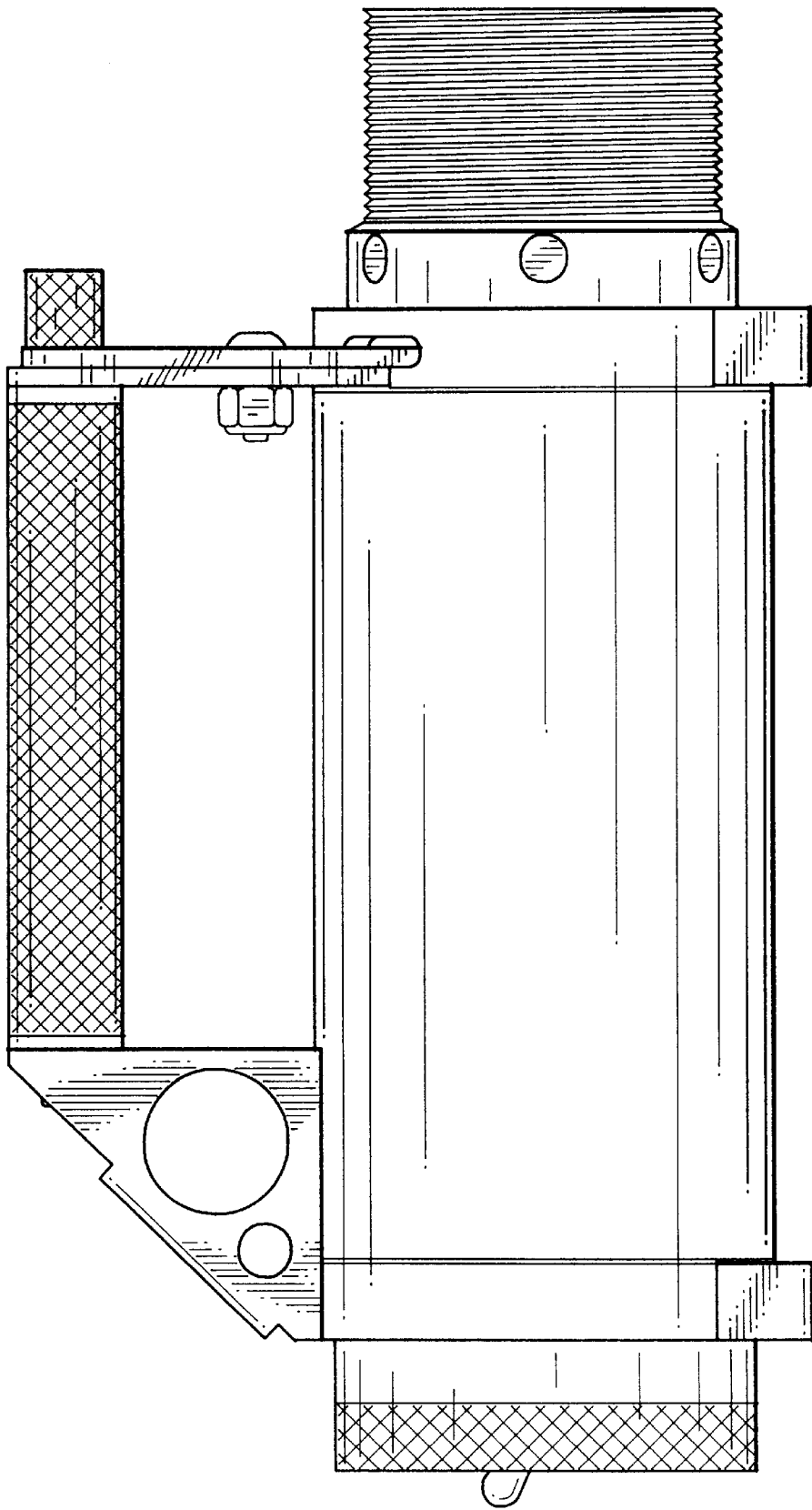


FIG. 1

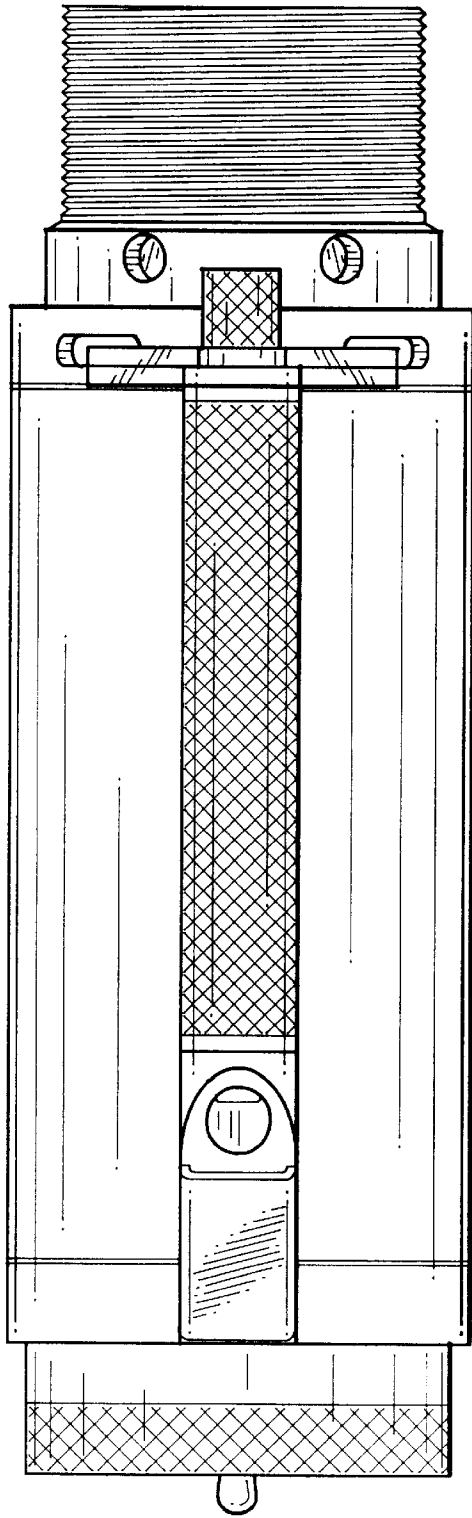


FIG. 2

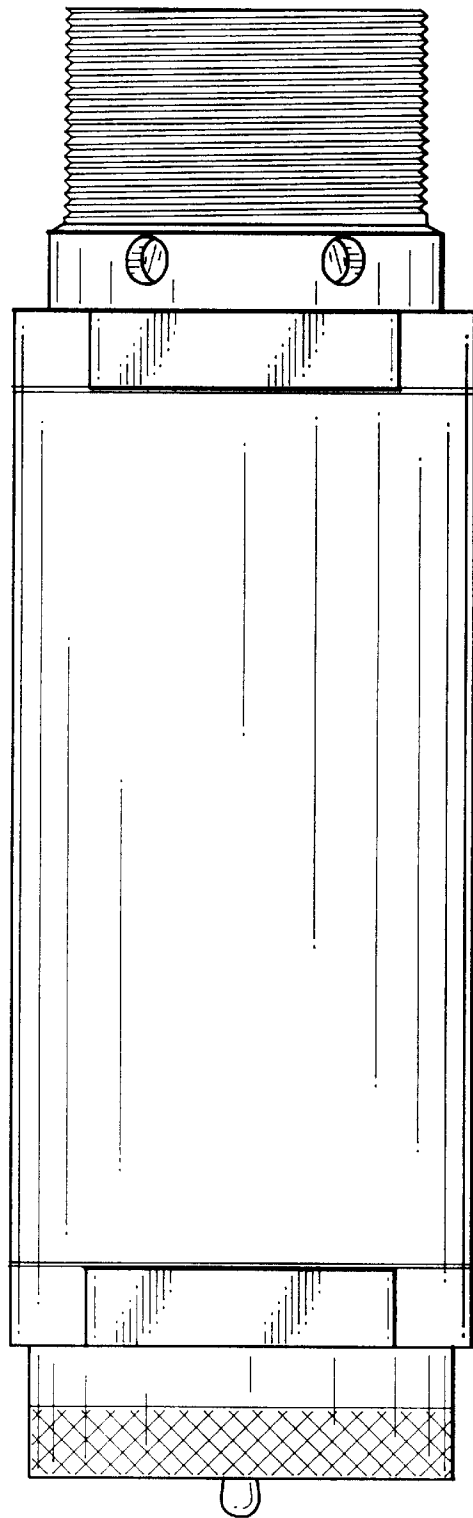


FIG. 3

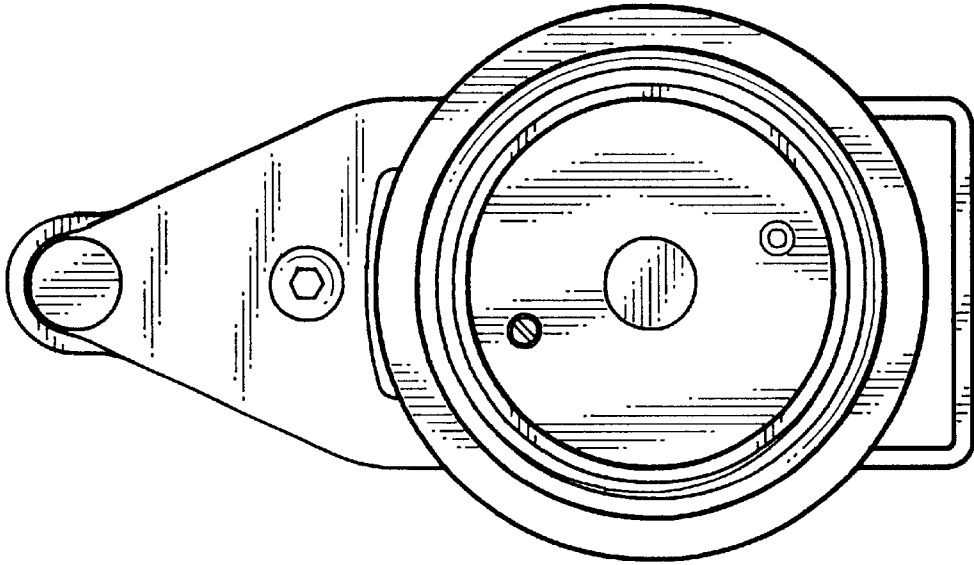


FIG. 5

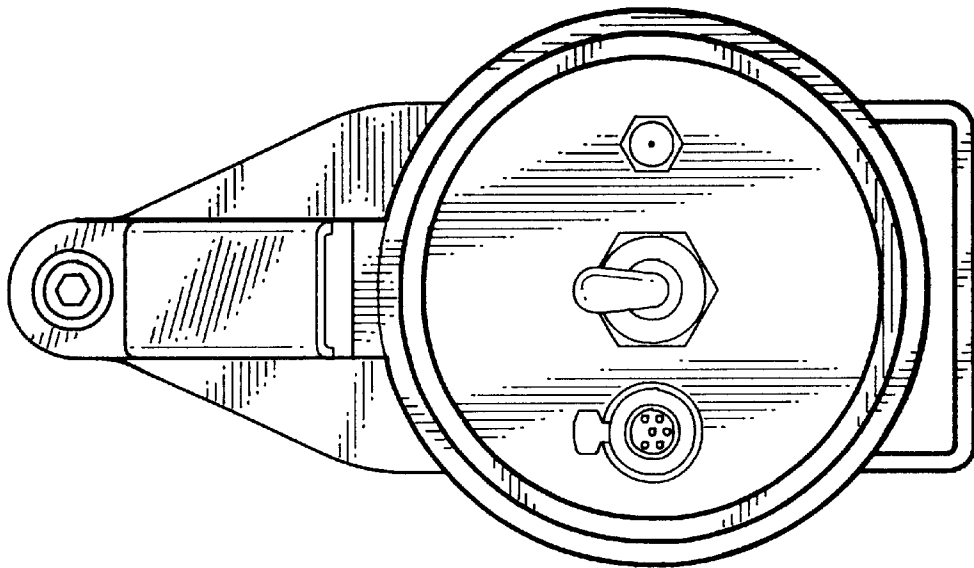


FIG. 4