



US00D734879S

(12) **United States Design Patent**
Chen et al.

(10) **Patent No.:** **US D734,879 S**

(45) **Date of Patent:** **** Jul. 21, 2015**

(54) **REFLECTIONAL LAMP**
(71) Applicant: **Zhejiang Shenghui Lighting Co., Ltd.**,
Jiaxing (CN)
(72) Inventors: **Liang Chen**, Jiaxing (CN); **Yudong**
Liang, Jiaxing (CN); **Yinxiao Zhu**,
Jiaxing (CN)
(73) Assignee: **Zhejiang Shenghui Lighting Co., Ltd.**,
Jiaxing (CN)
(**) Term: **14 Years**

D695,927 S *	12/2013	Anderson et al.	D26/2
D697,239 S *	1/2014	Rupp et al.	D26/2
D697,240 S *	1/2014	Rupp et al.	D26/2
D698,050 S *	1/2014	Jiang et al.	D26/2
D698,051 S *	1/2014	Jiang et al.	D26/2
D698,053 S *	1/2014	Rupp et al.	D26/2
D699,868 S *	2/2014	Zolotykh et al.	D26/2
D699,869 S *	2/2014	Zolotykh et al.	D26/2
D699,870 S *	2/2014	Zolotykh et al.	D26/2
D712,074 S *	8/2014	Rupp et al.	D26/2
D713,565 S *	9/2014	Yang	D26/2
D715,971 S *	10/2014	Jian et al.	D26/2
8,905,600 B2 *	12/2014	Sun et al.	362/373
D722,396 S *	2/2015	Yang	D26/2
D722,710 S *	2/2015	Cho	D26/2
D723,193 S *	2/2015	Taylor et al.	D26/2
D723,194 S *	2/2015	Taylor et al.	D26/2

(21) Appl. No.: **29/484,319**

(22) Filed: **Mar. 7, 2014**

(51) **LOC (10) Cl.** **26-04**

(52) **U.S. Cl.**
USPC **D26/2**

(58) **Field of Classification Search**
USPC D26/1-4; 313/313, 315, 316, 317, 318,
313/493; 315/52, 53, 56, 57, 58; 362/294,
362/373, 327
CPC B60Q 1/0064
See application file for complete search history.

* cited by examiner

Primary Examiner — Ian Simmons
Assistant Examiner — Harold Blackwell, II
(74) *Attorney, Agent, or Firm* — Wang Law Firm, Inc.; Li K.
Wang; Stephen Hsu

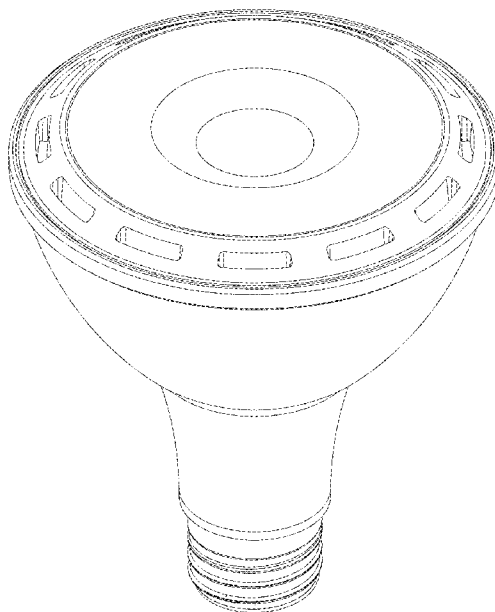
(57) **CLAIM**
The ornamental design for a reflectional lamp, as shown and
described.

DESCRIPTION

FIG. 1 is a side view;
FIG. 2 is a bottom view;
FIG. 3 is a top view;
FIG. 4 is a side view on the side opposite FIG. 1;
FIG. 5 is a top perspective view; and,
FIG. 6 is a bottom perspective view.

1 Claim, 6 Drawing Sheets

(56) **References Cited**
U.S. PATENT DOCUMENTS
D306,765 S * 3/1990 Pavelin D26/2
6,814,470 B2 * 11/2004 Rizkin et al. 362/327
7,319,293 B2 * 1/2008 Maxik 313/636
D613,434 S * 4/2010 Weiss D26/2
8,226,270 B2 * 7/2012 Yamamoto et al. 362/294



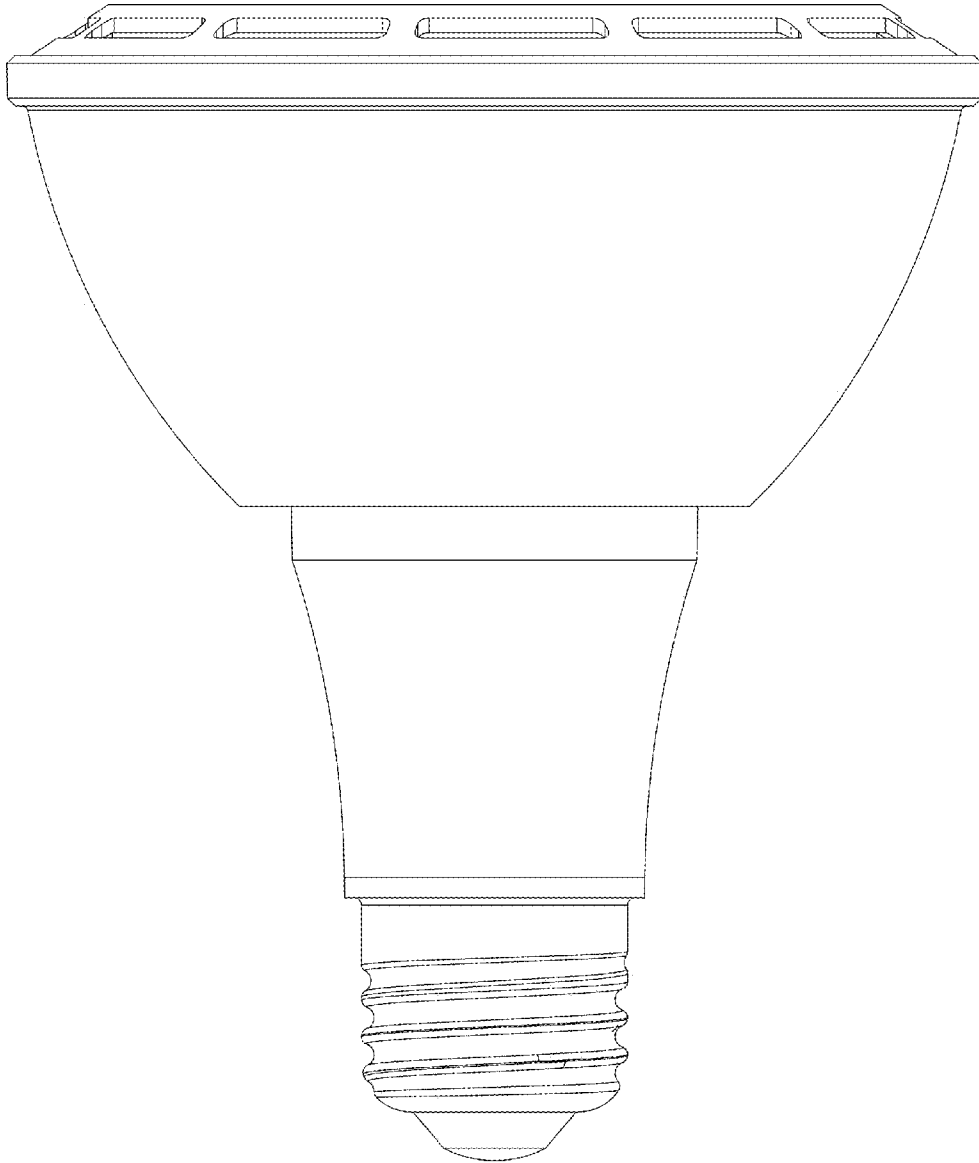


Fig.1



Fig.2

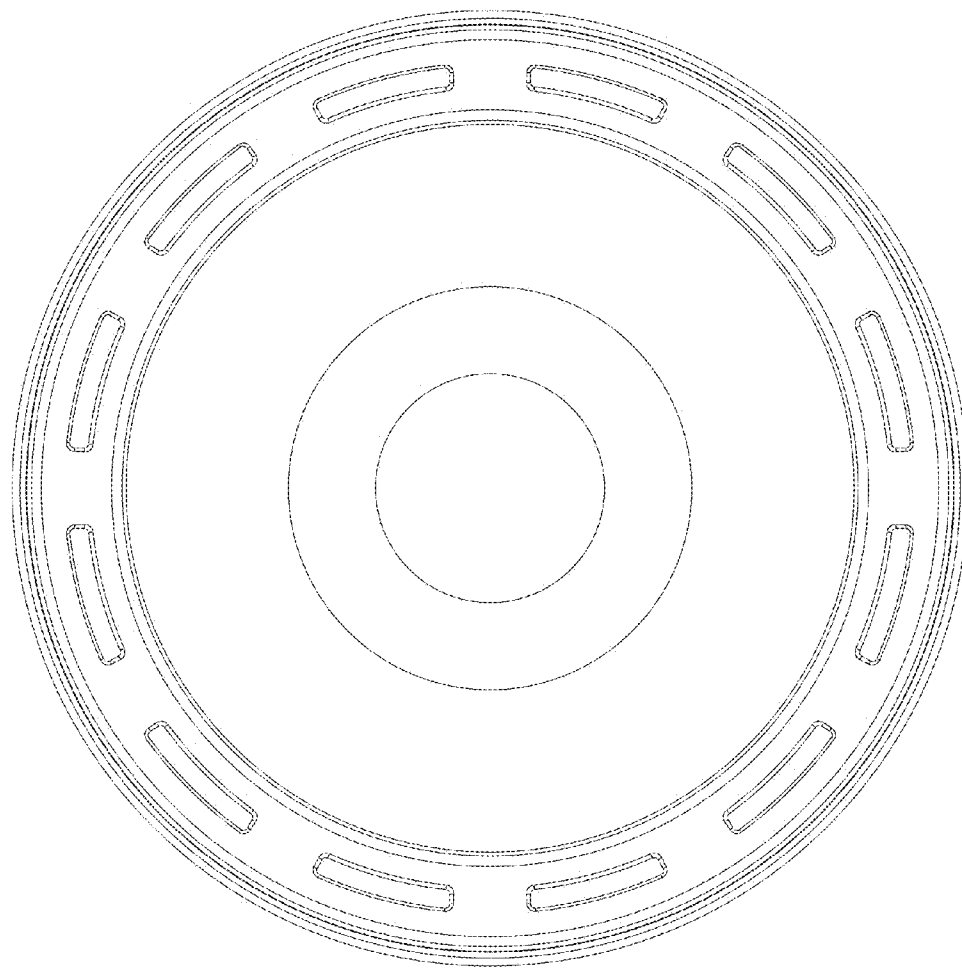


Fig.3

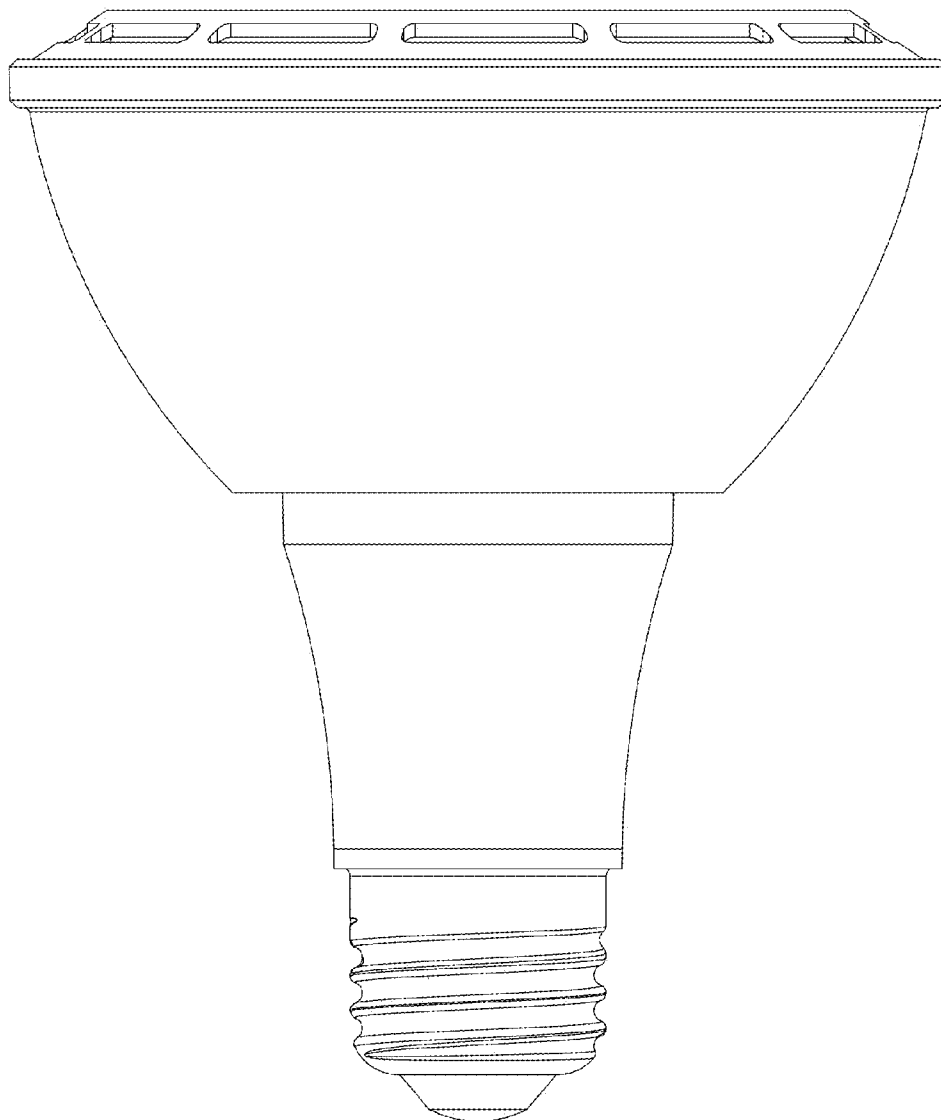


Fig.4

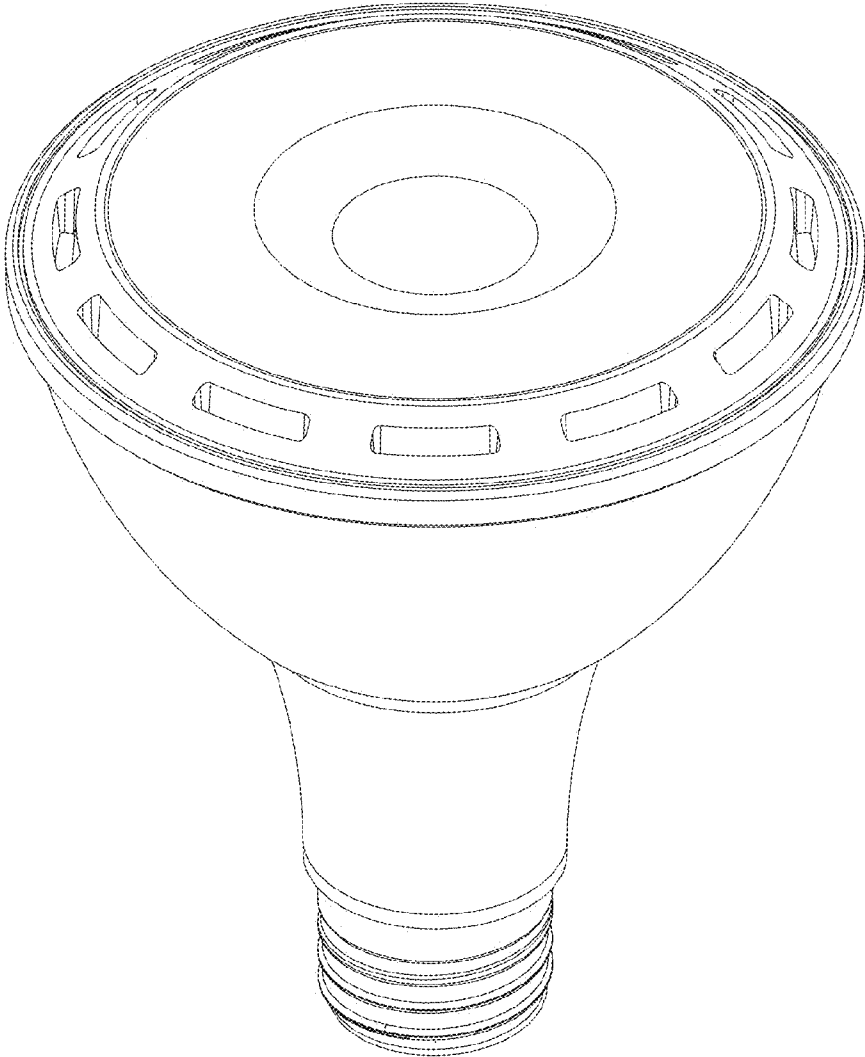


Fig. 5

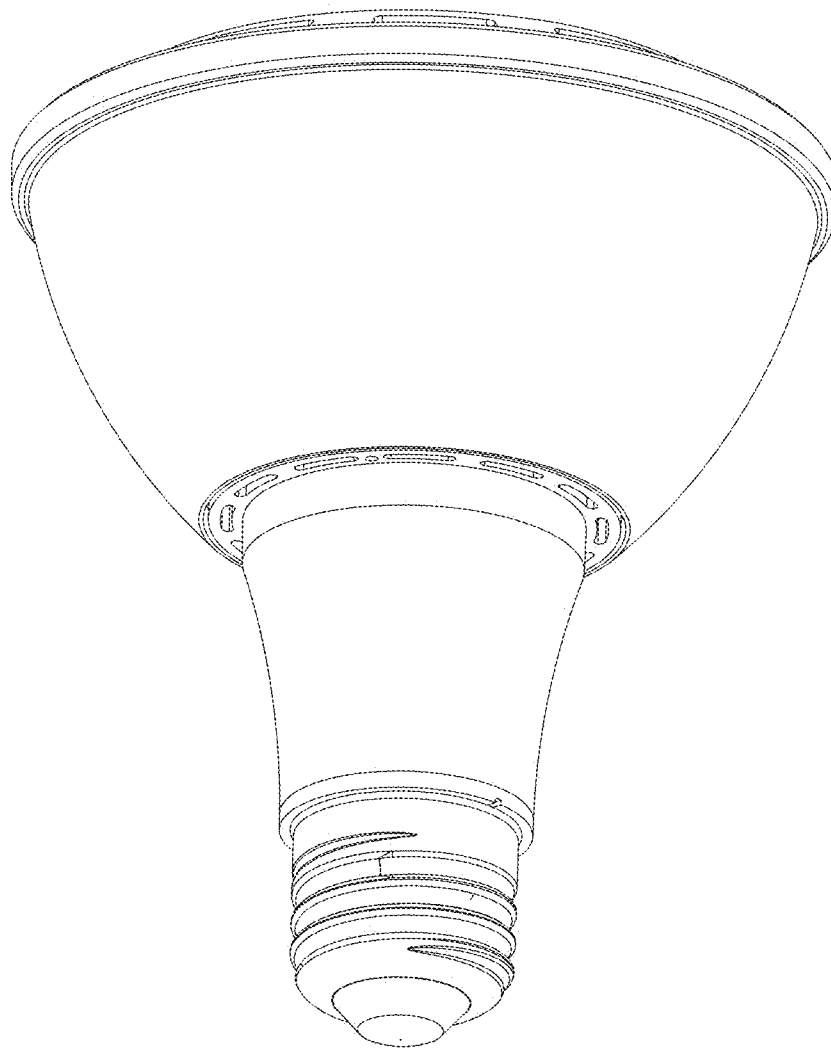


Fig. 6