



US00D760810S

(12) **United States Design Patent**
Dal Moro

(10) **Patent No.:** **US D760,810 S**

(45) **Date of Patent:** **** Jul. 5, 2016**

(54) **AGRICULTURAL MACHINE**
(71) Applicant: **MASCHIO GASPARDO S.P.A.**,
Campodarsego (PD) (IT)
(72) Inventor: **Marco Dal Moro**, Campodarsego (IT)
(73) Assignee: **MASCHIO GASPARDO S.P.A.**,
Campodarsego (PD) (IT)

D559,868 S * 1/2008 Nanlawala et al. D15/27
D644,253 S * 8/2011 Donadon D15/10
9,107,337 B2 * 8/2015 Bassett
2002/0162492 A1 * 11/2002 Juptner 111/140
2007/0215024 A1 * 9/2007 Sanguinetti 111/118
2008/0264312 A1 * 10/2008 Choulet 111/69
2008/0276848 A1 * 11/2008 Schilling 111/149
2009/0025619 A1 * 1/2009 Vandersnick 111/135

* cited by examiner

(**) Term: **14 Years**

Primary Examiner — Mitchell Siegel

(21) Appl. No.: **29/506,691**

(74) *Attorney, Agent, or Firm* — Kristina Castellano;
Castellano PLLC

(22) Filed: **Oct. 18, 2014**

(57) **CLAIM**

(30) **Foreign Application Priority Data**

The ornamental design for an agricultural machine, as shown
and described.

Apr. 18, 2014 (EM) 002449785

(51) **LOC (10) Cl.** **15-03**

(52) **U.S. Cl.**
USPC **D15/27**

(58) **Field of Classification Search**
USPC D15/10, 11, 27, 28–33
CPC .. A01B 71/04; A01C 5/06; A01C 7/00–7/048
See application file for complete search history.

DESCRIPTION

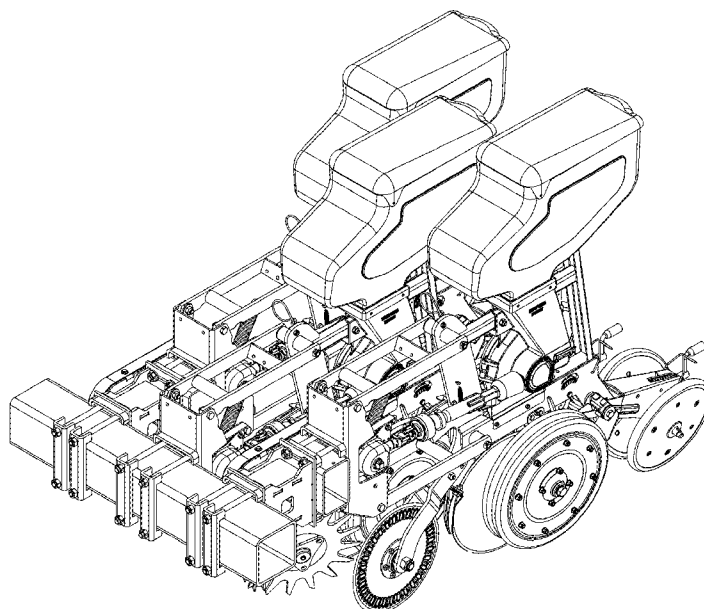
(56) **References Cited**

U.S. PATENT DOCUMENTS

6,520,100 B1 * 2/2003 Spooner et al. 111/59
6,530,334 B2 * 3/2003 Hagny 111/189
6,843,186 B2 * 1/2005 Shoup 111/59
7,152,539 B2 * 12/2006 Swanson 111/119
7,168,376 B2 * 1/2007 Johnston 111/167
7,255,050 B2 * 8/2007 Johannaber et al. 111/185

FIG. 1 is a perspective view from above of a sowing element
of an agricultural machine according to the present design;
FIG. 2 is a lateral view thereof;
FIG. 3 is a rear view thereof;
FIG. 4 is a lateral view thereof
FIG. 5 is a front view thereof;
FIG. 6 is a view from above thereof;
FIG. 7 is a bottom view thereof; and,
FIG. 8 is a reduced rear perspective view thereof; shown
combined with other unclaimed agriculture machines for
clarity of use.
The broken line showing in FIG. 8 is included for illustrative
purposes only and forms no part of the claimed design.

1 Claim, 8 Drawing Sheets



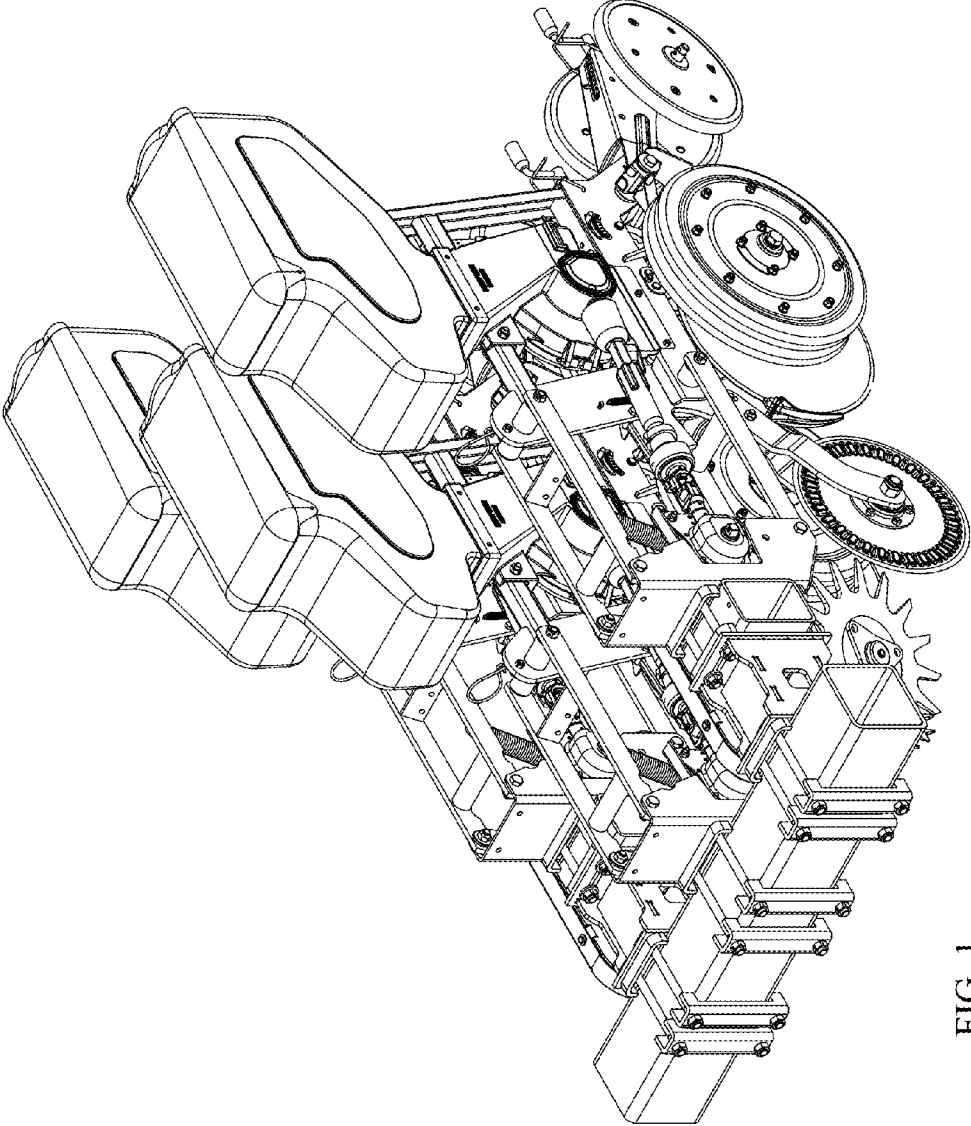


FIG. 1

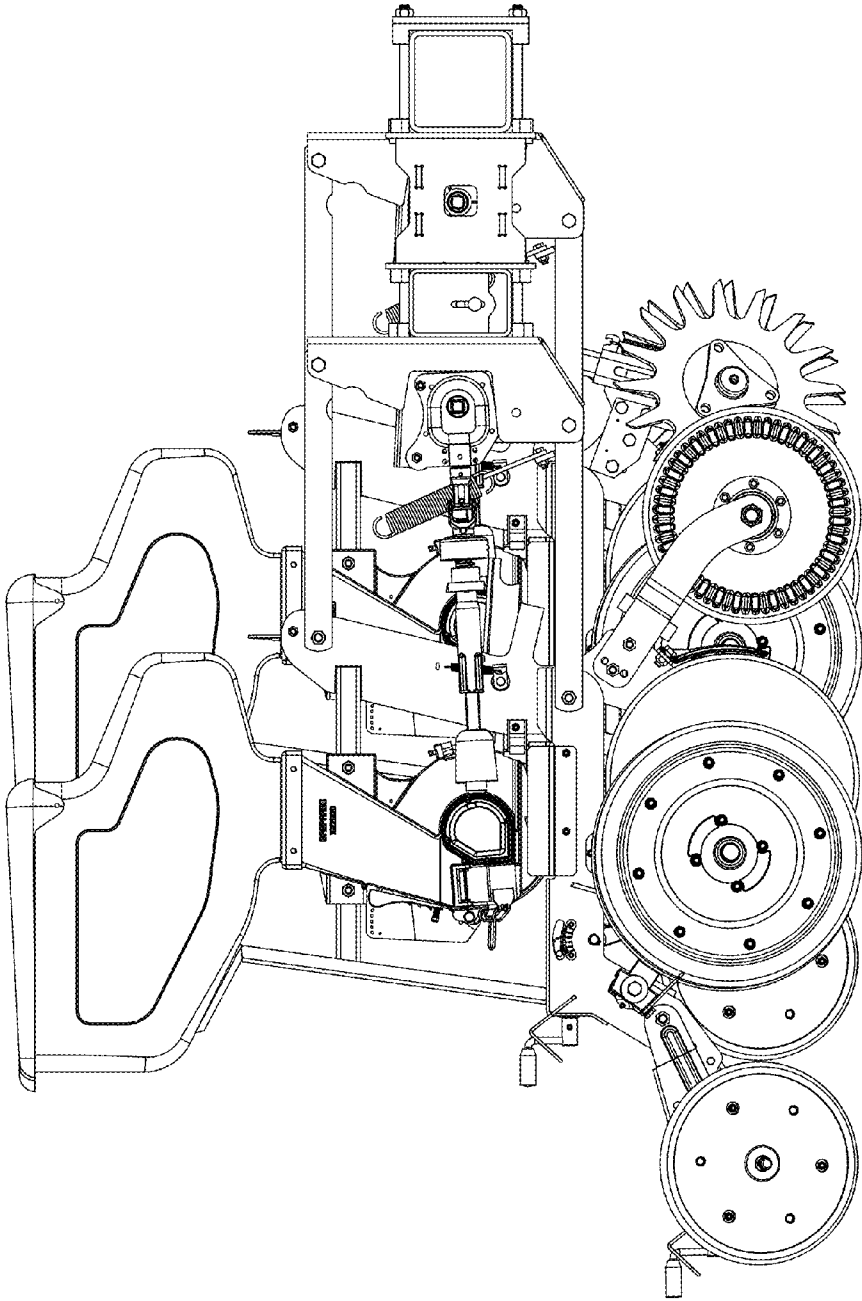


FIG. 2

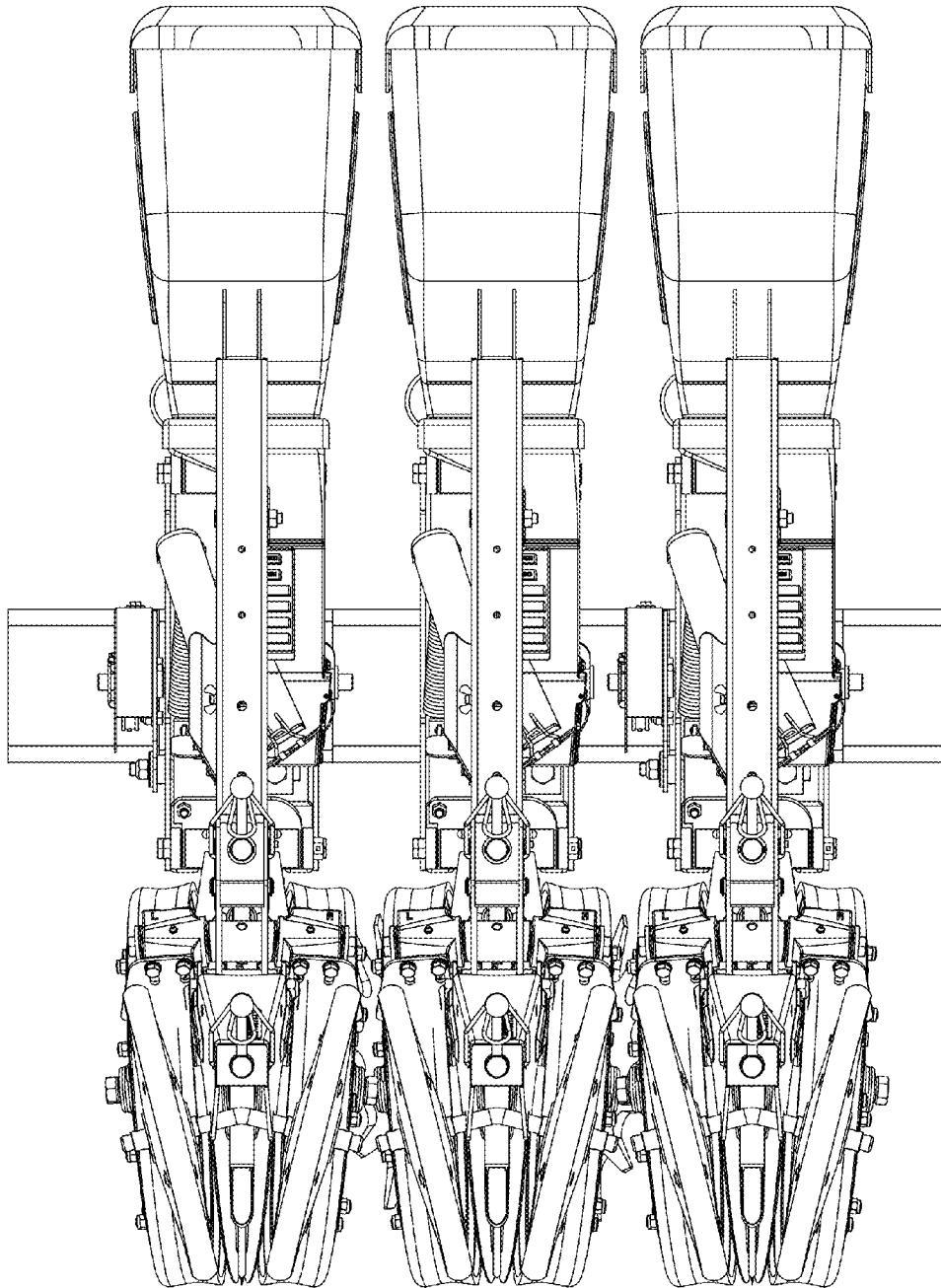


FIG. 3

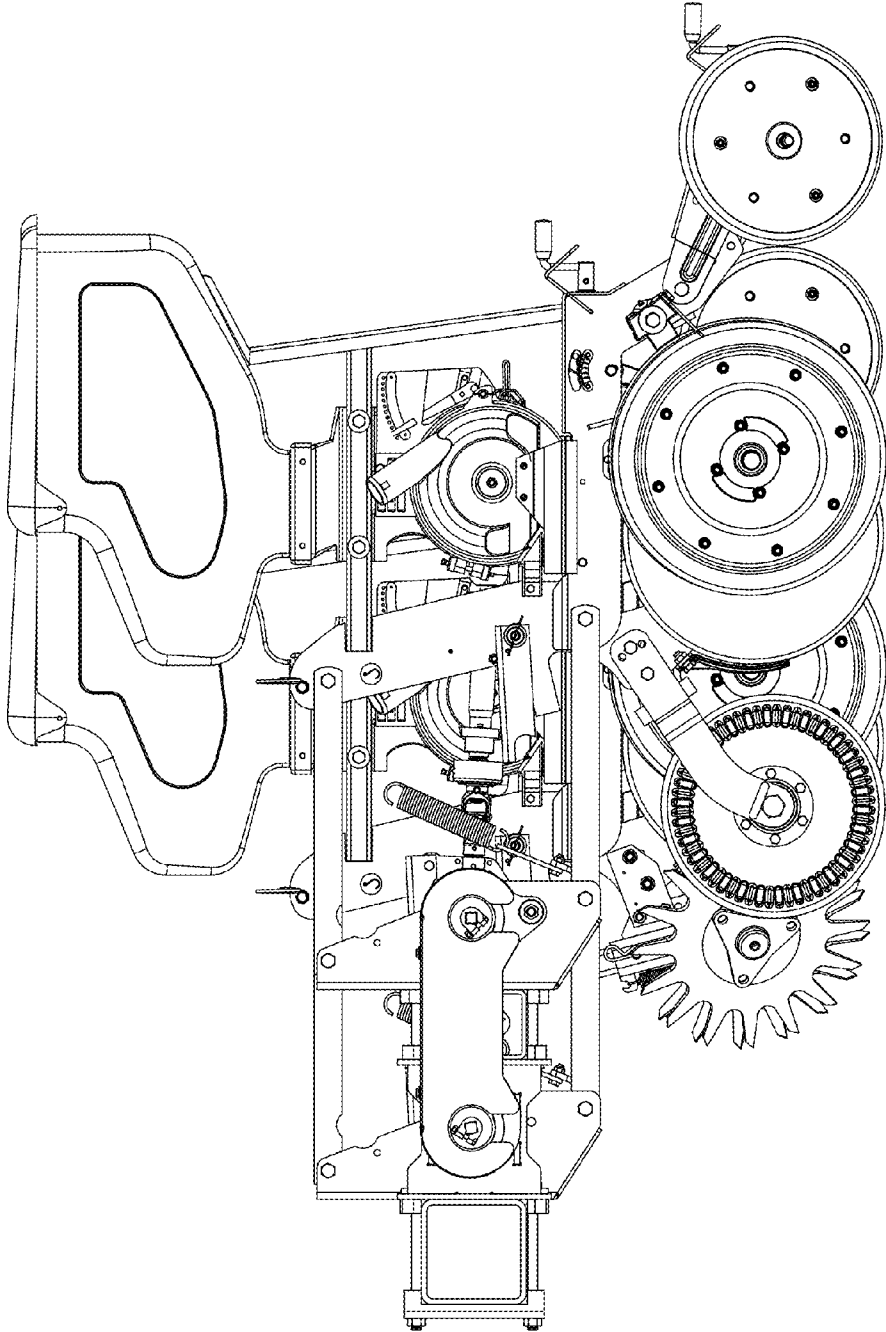


FIG. 4

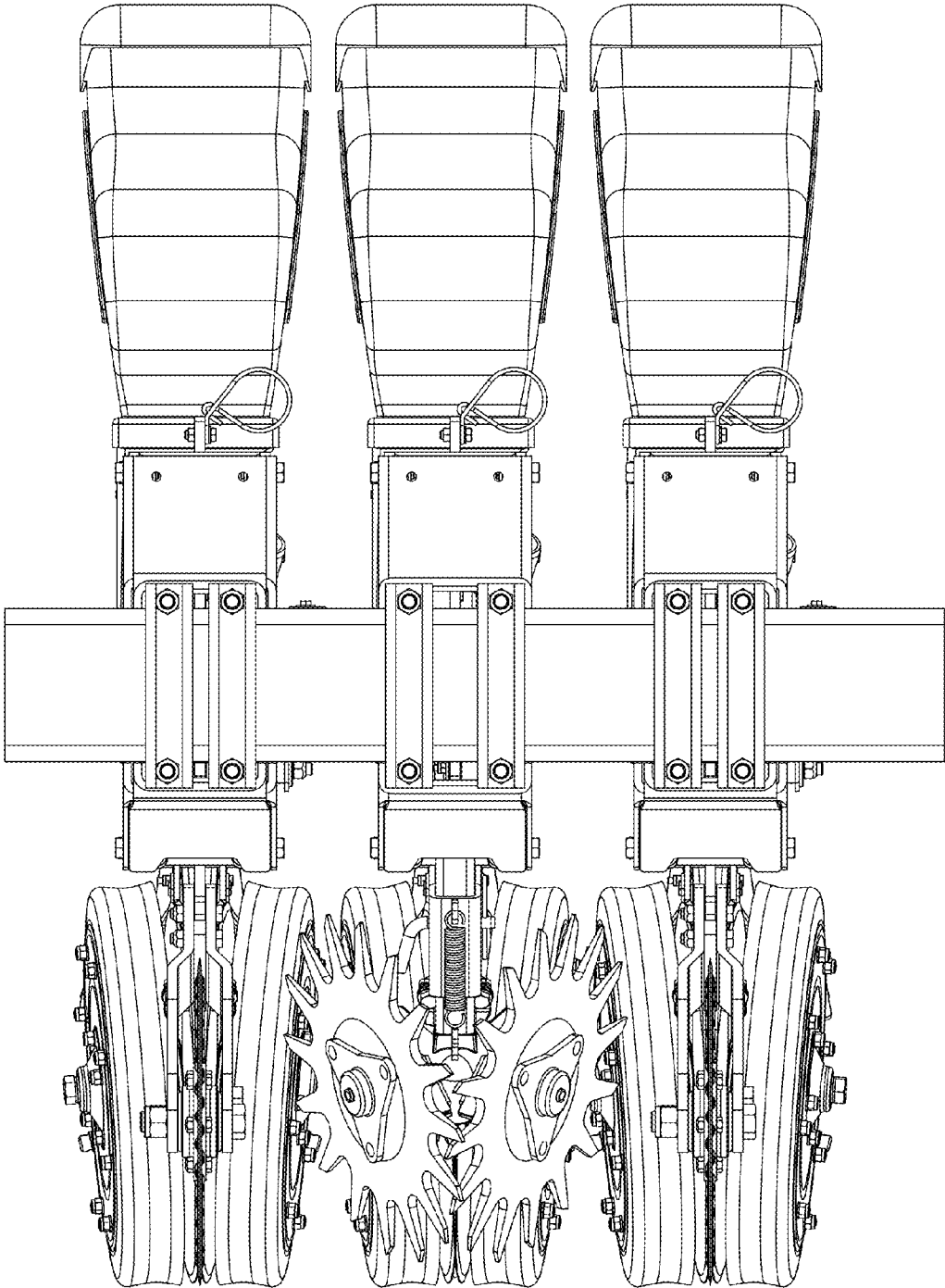


FIG. 5

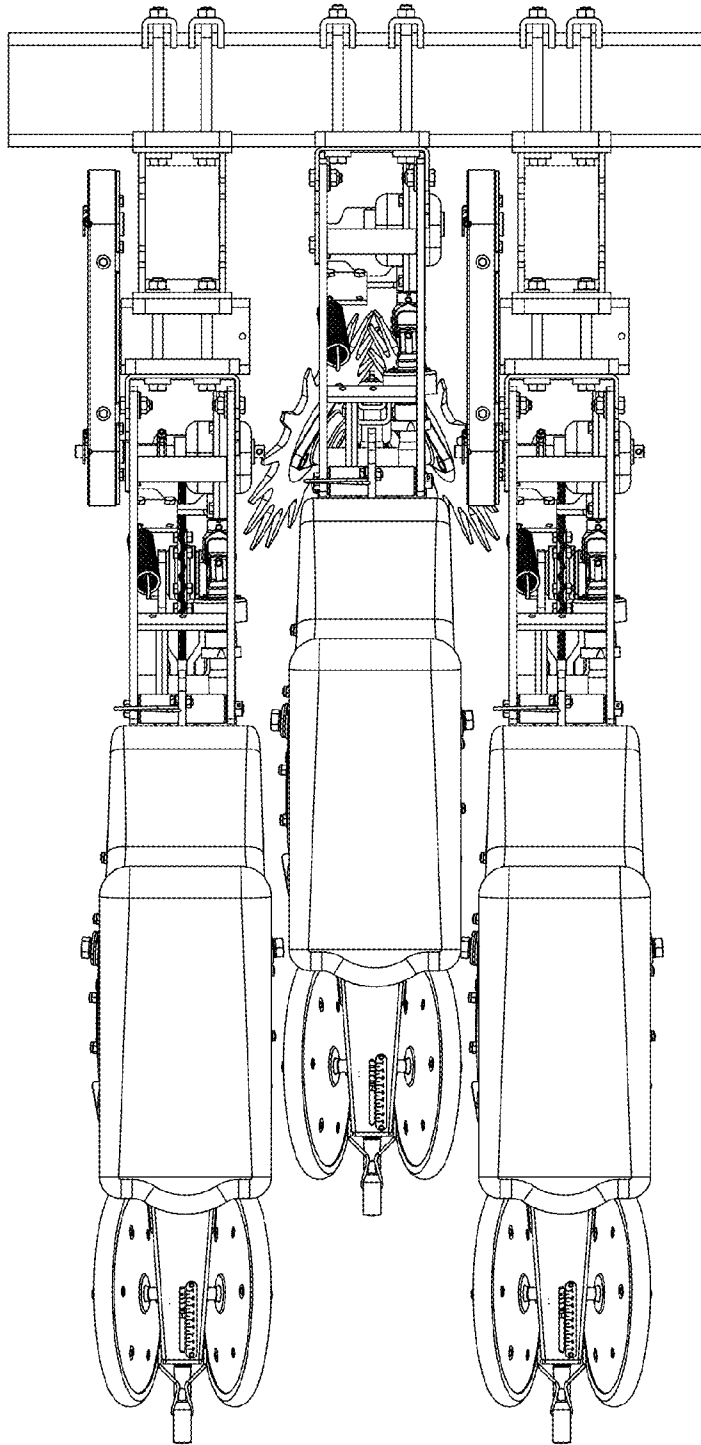


FIG. 6

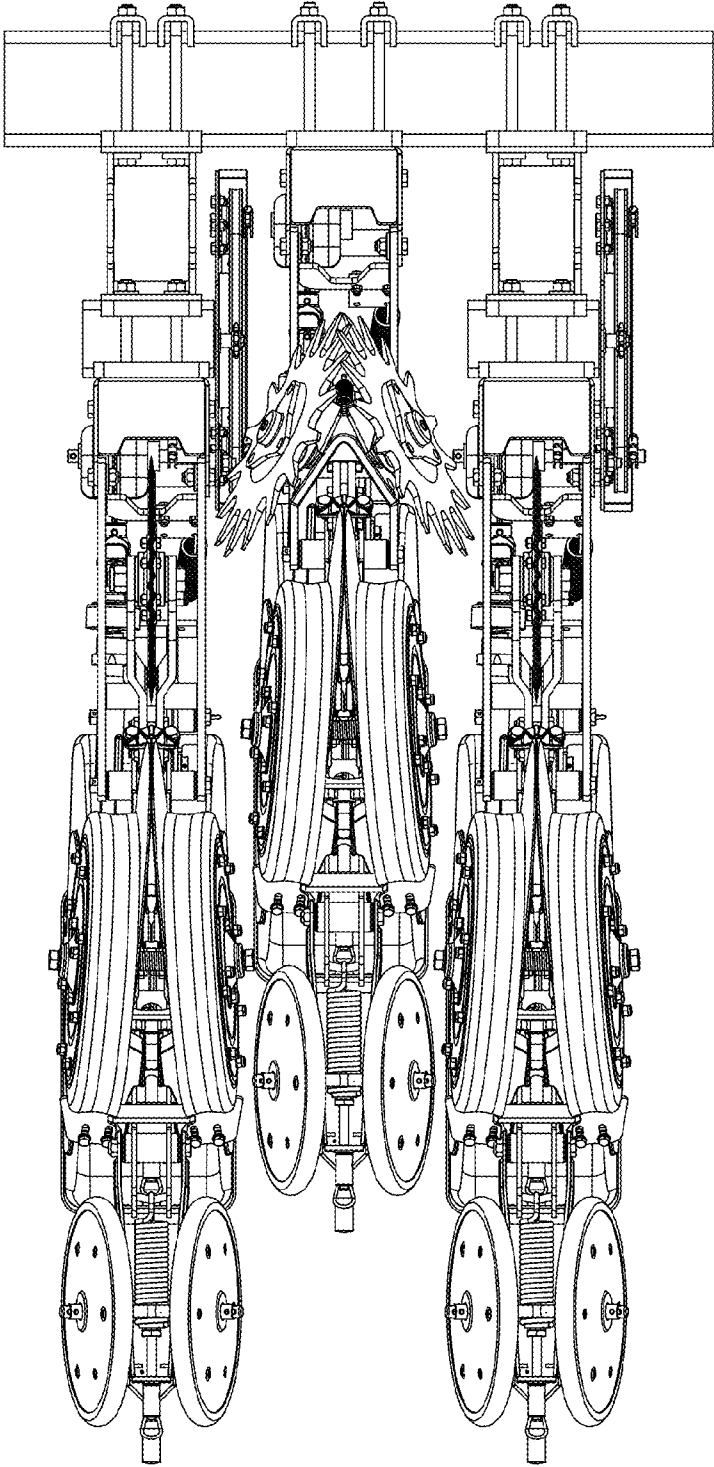


FIG. 7

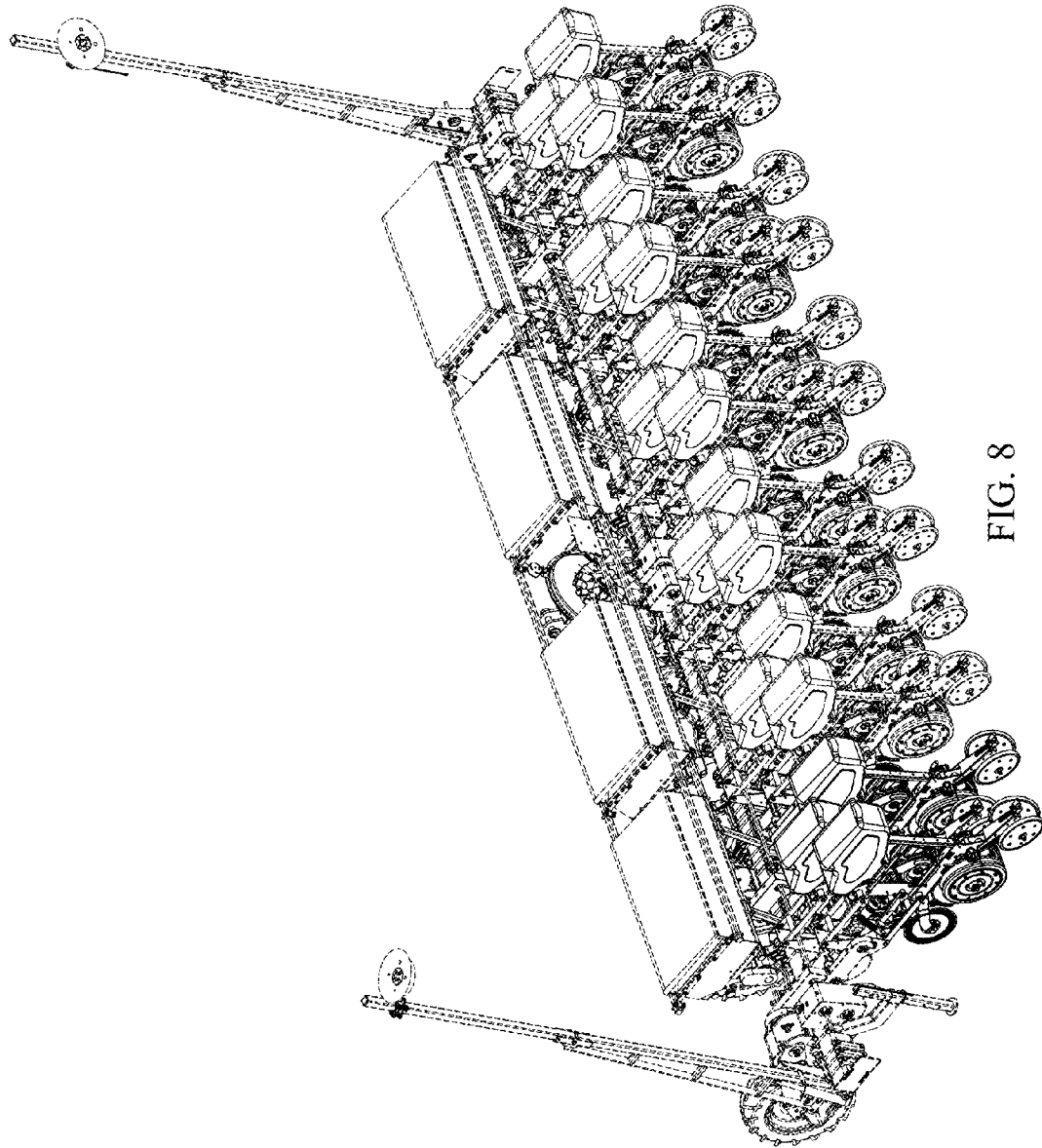


FIG. 8