

(19) World Intellectual Property Organization
International Bureau



(43) International Publication Date
12 July 2007 (12.07.2007)

PCT

(10) International Publication Number
WO 2007/079268 A3

(51) International Patent Classification:

A61B 18/18 (2006.01) A61N 1/00 (2006.01)
A61F 7/00 (2006.01) A61B 19/00 (2006.01)

(21) International Application Number:

PCT/US2006/049679

(22) International Filing Date:

29 December 2006 (29.12.2006)

(25) Filing Language:

English

(26) Publication Language:

English

(30) Priority Data:

60/755,753 30 December 2005 (30.12.2005) US

(71) Applicant (for all designated States except US):

C.R. BARD, INC. [US/US]; 730 Central Avenue, Murray Hill, NJ 07974 (US).

(72) Inventors; and

(75) Inventors/Applicants (for US only): **DEFORD, John, A.** [US/US]; 134 Flocktown Road, Long Valley, NJ 07853 (US). **BRIN, David** [US/US]; 21 River Meadow Drive, West Newbury, MA 01985 (US). **KRAUSS, Charles** [US/US]; 33 Crestview Drive, Clinton, NJ 08809 (US).

(74) Agent: **BEEDE, Melissa; WOLF, GREENFIELD & SACKS, P.C.**, 600 Atlantic Avenue, Boston, MA 02210 (US).

(81) Designated States (unless otherwise indicated, for every kind of national protection available):

AE, AG, AL, AM, AT, AU, AZ, BA, BB, BG, BR, BW, BY, BZ, CA, CH, CN, CO, CR, CU, CZ, DE, DK, DM, DZ, EC, EE, EG, ES, FI, GB, GD, GE, GH, GM, GT, HN, HR, HU, ID, IL, IN, IS, JP, KE, KG, KM, KN, KP, KR, KZ, LA, LC, LK, LR, LS, LT, LU, LV, LY, MA, MD, MG, MK, MN, MW, MX, MY, MZ, NA, NG, NI, NO, NZ, OM, PG, PH, PL, PT, RO, RS, RU, SC, SD, SE, SG, SK, SL, SM, SV, SY, TJ, TM, TN, TR, TT, TZ, UA, UG, US, UZ, VC, VN, ZA, ZM, ZW.

(84) Designated States (unless otherwise indicated, for every kind of regional protection available):

ARIPO (BW, GH, GM, KE, LS, MW, MZ, NA, SD, SL, SZ, TZ, UG, ZM, ZW), Eurasian (AM, AZ, BY, KG, KZ, MD, RU, TJ, TM), European (AT, BE, BG, CH, CY, CZ, DE, DK, EE, ES, FI, FR, GB, GR, HU, IE, IS, IT, LT, LU, LV, MC, NL, PL, PT, RO, SE, SI, SK, TR), OAPI (BF, BJ, CF, CG, CI, CM, GA, GN, GQ, GW, ML, MR, NE, SN, TD, TG).

Published:

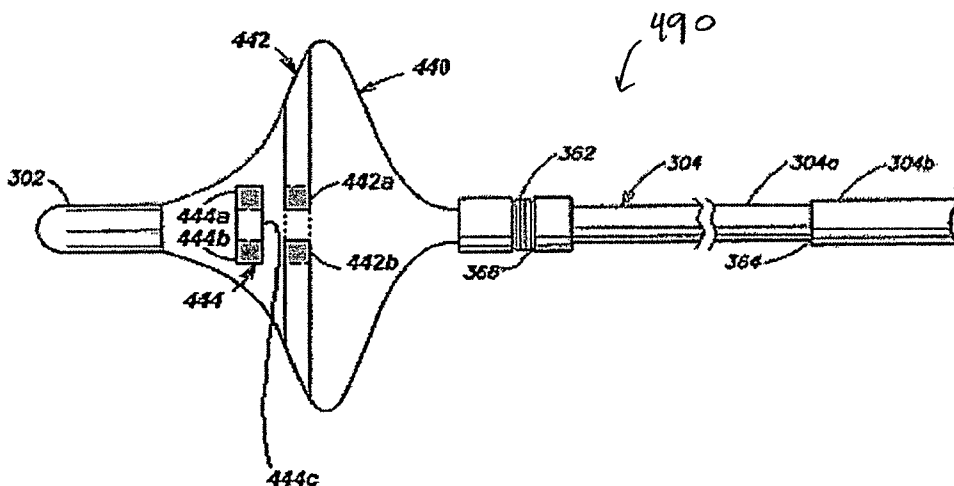
- with international search report
- before the expiration of the time limit for amending the claims and to be republished in the event of receipt of amendments

(88) Date of publication of the international search report:

21 December 2007

[Continued on next page]

(54) Title: METHODS AND APPARATUS FOR ABLATION OF CARDIAC TISSUE



(57) Abstract: Embodiments of the invention relate to electrophysiology catheters and methods of using the same. According to one embodiment, a method of treating a cardiac arrhythmia comprises forming a first lesion about a source of an electrical signal in the heart, the first lesion having an open first perimeter, and forming a second lesion about the source of the electrical signal in the heart. The second lesion has an open second perimeter and is located closer to the source of the electrical signal than the first lesion. The first lesion is discontinuous from the second lesion, and at least the first and second lesions together form a closed, at least substantially complete conduction block. According to other embodiments, catheters are provided for performing this and other methods.

WO 2007/079268 A3



For two-letter codes and other abbreviations, refer to the "Guidance Notes on Codes and Abbreviations" appearing at the beginning of each regular issue of the PCT Gazette.

INTERNATIONAL SEARCH REPORT

International application No.

PCT/US06/49679

A. CLASSIFICATION OF SUBJECT MATTER
 IPC: **A61B 18/18**(2006.01);**A61F 7/00**(2006.01);**A61N 1/00**(2006.01);**A61B 19/00**(2006.01)

 USPC: 606/41;607/96,122;128/898
 According to International Patent Classification (IPC) or to both national classification and IPC

B. FIELDS SEARCHED
 Minimum documentation searched (classification system followed by classification symbols)
 U.S. : 606/41;607/96,122;128/898

Documentation searched other than minimum documentation to the extent that such documents are included in the fields searched

Electronic data base consulted during the international search (name of data base and, where practicable, search terms used)
 EAST search ablation catheter

C. DOCUMENTS CONSIDERED TO BE RELEVANT

Category *	Citation of document, with indication, where appropriate, of the relevant passages	Relevant to claim No.
X	US6502576B1 (LESH) 7 January 2003, fig.s 9A 12a, 12b and 14	1-20

Further documents are listed in the continuation of Box C. See patent family annex.

* Special categories of cited documents:	
"A" document defining the general state of the art which is not considered to be of particular relevance	"T" later document published after the international filing date or priority date and not in conflict with the application but cited to understand the principle or theory underlying the invention
"E" earlier application or patent published on or after the international filing date	"X" document of particular relevance; the claimed invention cannot be considered novel or cannot be considered to involve an inventive step when the document is taken alone
"L" document which may throw doubts on priority claim(s) or which is cited to establish the publication date of another citation or other special reason (as specified)	"Y" document of particular relevance; the claimed invention cannot be considered to involve an inventive step when the document is combined with one or more other such documents, such combination being obvious to a person skilled in the art
"O" document referring to an oral disclosure, use, exhibition or other means	"&" document member of the same patent family
"P" document published prior to the international filing date but later than the priority date claimed	

Date of the actual completion of the international search 12 October 2007 (12.10.2007)	Date of mailing of the international search report 07 NOV 2007
---	--

Name and mailing address of the ISA/US Mail Stop PCT, Attn: ISA/US Commissioner for Patents P.O. Box 1450 Alexandria, Virginia 22313-1450 Facsimile No. (571) 273-3201	Authorized officer Corrine M McDermott Telephone No. 571-272-2975
---	--