



US00D511754S

(12) **United States Design Patent**
Hirano

(10) **Patent No.:** **US D511,754 S**

(45) **Date of Patent:** **** Nov. 22, 2005**

(54) **TELEVISION RECEIVER**

D488,451 S 4/2004 Niitsu

(75) Inventor: **Shinsaku Hirano**, Tokyo (JP)

(73) Assignee: **Sony Corporation**, Tokyo (JP)

(**) Term: **14 Years**

(21) Appl. No.: **29/205,799**

(22) Filed: **May 21, 2004**

(51) **LOC (8) Cl.** **14-03**

(52) **U.S. Cl.** **D14/128**

(58) **Field of Search** D14/125-134,
D14/239, 371, 374-376; 312/7.2; 348/836,
838, 180, 184, 325, 739; 341/12; 248/917-924;
345/104, 133, 156, 168, 87, 173; 353/74

(56) **References Cited**

U.S. PATENT DOCUMENTS

5,467,154 A	*	11/1995	Gale et al.	353/74
D394,057 S	*	5/1998	Bourgerie	D14/128
D411,842 S	*	7/1999	Ota	D14/126
D454,845 S		3/2002	Niitsu		
D486,456 S		2/2004	Fujiki		
D486,803 S	*	2/2004	Fujiki et al.	D14/126

OTHER PUBLICATIONS

Web page "KDL-L26RX2" <http://www.ecat.sony.co.jp/wega/products/index.cfm?PD=16391&KM=KDL-L26RX2>, 1 sheet, Sony(Mar.2004).

* cited by examiner

Primary Examiner—Raphael Barkai
(74) *Attorney, Agent, or Firm*—Rader, Fishman, Grauer PLLC

CLAIM

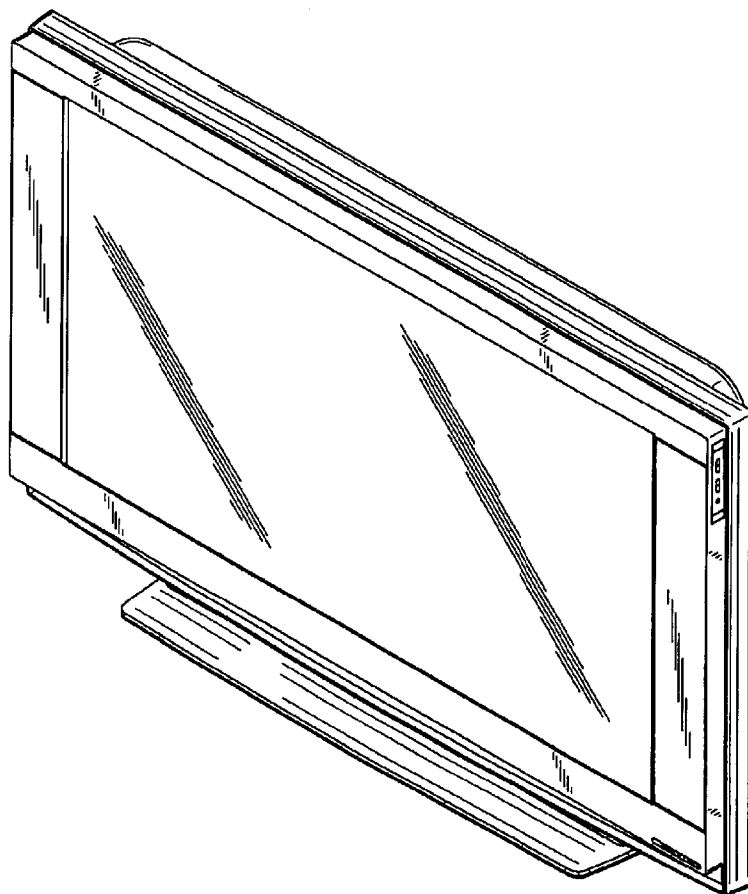
(57)

The ornamental design for a television receiver, as shown.

DESCRIPTION

FIG. 1 is a perspective view of a television receiver showing my new design;
FIG. 2 is a front elevational view thereof;
FIG. 3 is a rear elevational view thereof;
FIG. 4 is a left side elevational view thereof;
FIG. 5 is a right side elevational view thereof;
FIG. 6 is a top plan view thereof; and,
FIG. 7 is a bottom plan view thereof.

1 Claim, 4 Drawing Sheets



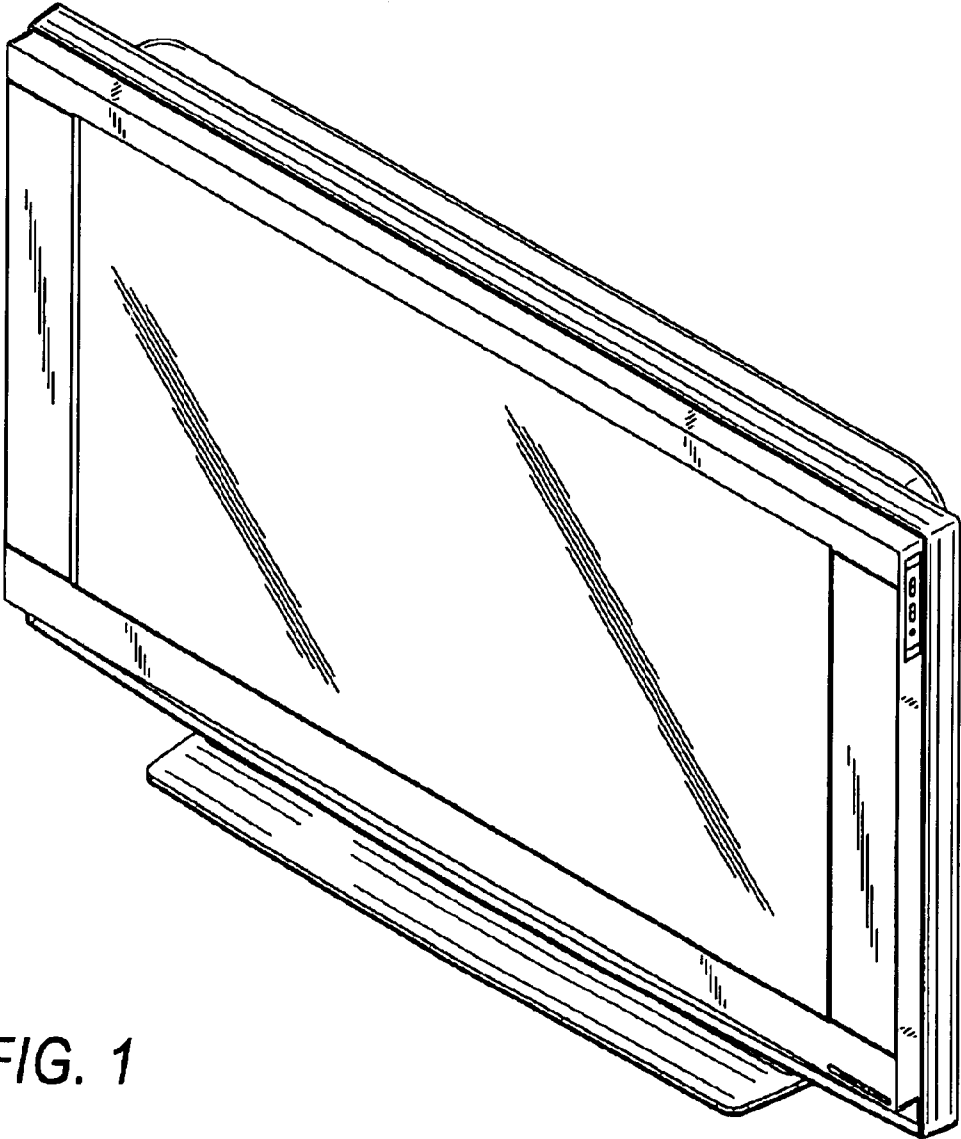


FIG. 1

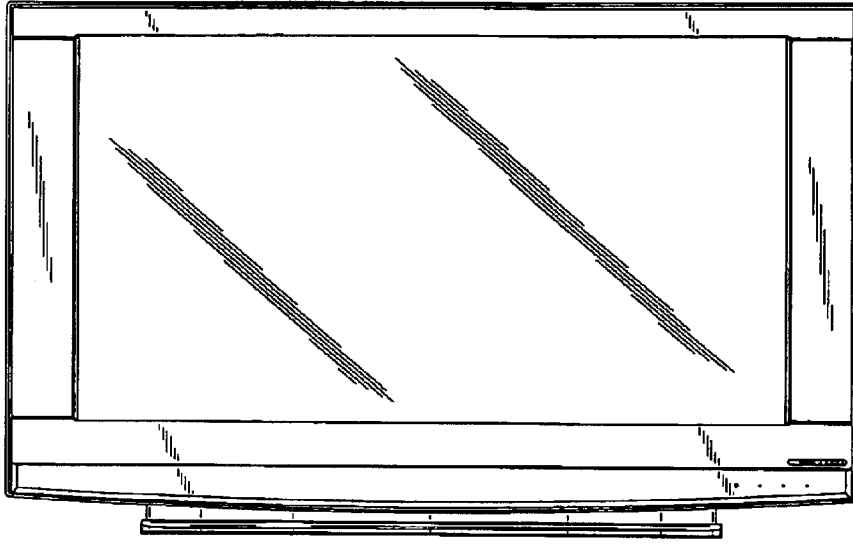


FIG. 2

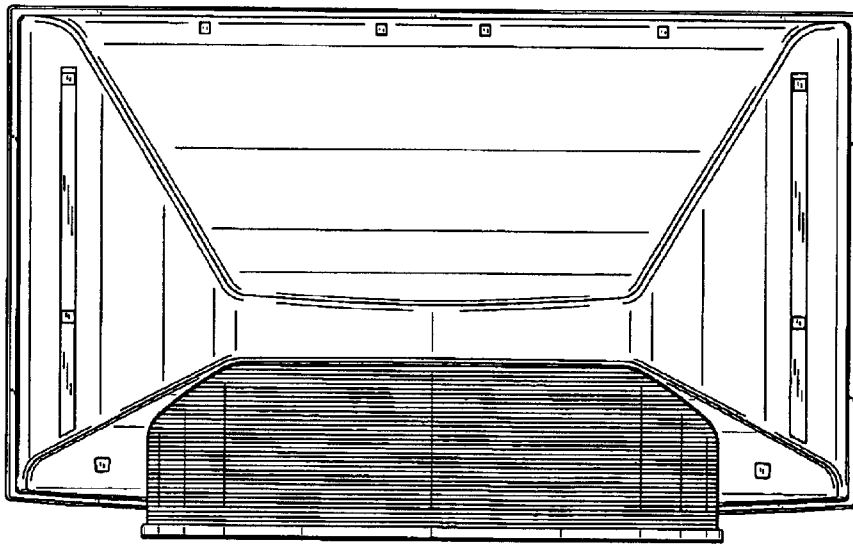


FIG. 3

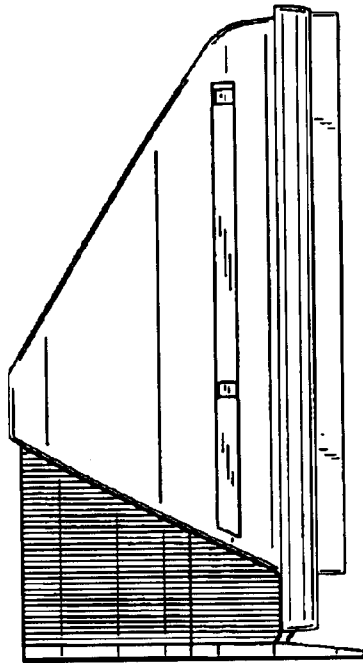


FIG. 4

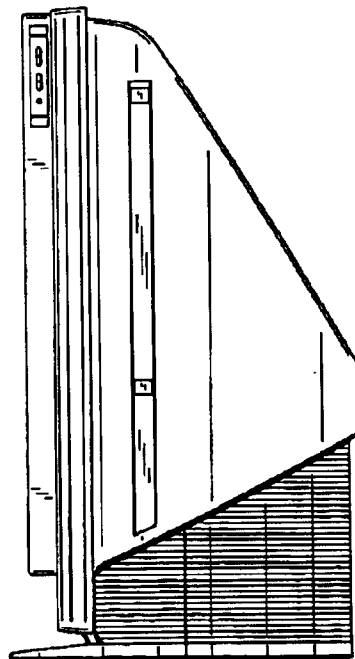


FIG. 5

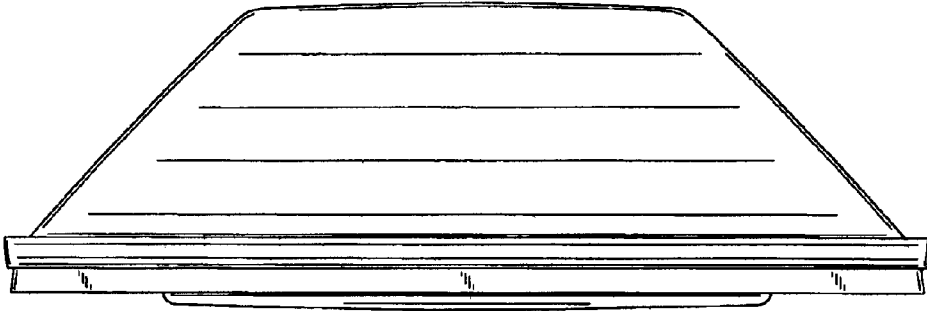


FIG. 6

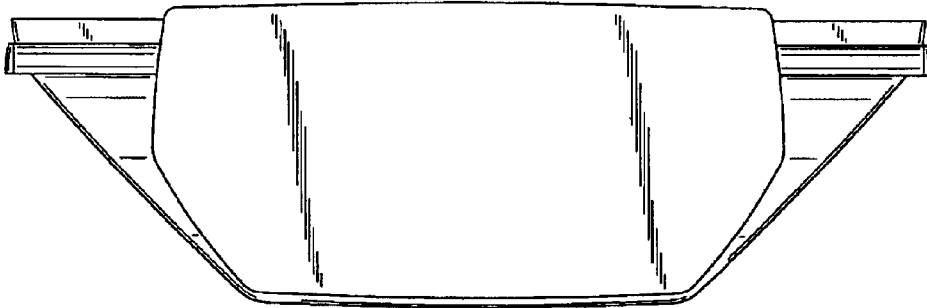


FIG. 7