

(19) World Intellectual Property Organization
International Bureau



(43) International Publication Date
6 March 2008 (06.03.2008)

PCT

(10) International Publication Number
WO 2008/027150 A3

(51) International Patent Classification:
B23Q 15/00 (2006.01)

(21) International Application Number:
PCT/US2007/017217

(22) International Filing Date: 2 August 2007 (02.08.2007)

(25) Filing Language: English

(26) Publication Language: English

(30) Priority Data:
60/841,178 30 August 2006 (30.08.2006) US

(71) Applicant (for all designated States except US): COE
NEWNES/MCGEHEE, INC. [CA/CA]; P.O. box 8, 3550
-45th Street Southeast, Salmon Arm, British Columbia,
V1E 4N2 (CA).

(72) Inventor; and

(75) Inventor/Applicant (for US only): ELY, Gary, W.
[US/US]; 12101 South Mulino Road, Canby, OR 97013
(US).

(74) Agent: HLAVKA, John, R.; Tarolli, Sundheim, Covell &
Tummino, LLP, 1300 East Ninth Street-suite 1700, Cleve-
land, OH 44114 (US).

(81) Designated States (unless otherwise indicated, for every
kind of national protection available): AE, AG, AL, AM,

AT, AU, AZ, BA, BB, BG, BH, BR, BW, BY, BZ, CA, CH,
CN, CO, CR, CU, CZ, DE, DK, DM, DO, DZ, EC, EE, EG,
ES, FI, GB, GD, GE, GH, GM, GT, HN, HR, HU, ID, IL,
IN, IS, JP, KE, KG, KM, KN, KP, KR, KZ, LA, LC, LK,
LR, LS, LT, LU, LY, MA, MD, ME, MG, MK, MN, MW,
MX, MY, MZ, NA, NG, NI, NO, NZ, OM, PG, PH, PL,
PT, RO, RS, RU, SC, SD, SE, SG, SK, SL, SM, SV, SY,
TJ, TM, TN, TR, TT, TZ, UA, UG, US, UZ, VC, VN, ZA,
ZM, ZW.

(84) Designated States (unless otherwise indicated, for every
kind of regional protection available): ARIPO (BW, GH,
GM, KE, LS, MW, MZ, NA, SD, SL, SZ, TZ, UG, ZM,
ZW), Eurasian (AM, AZ, BY, KG, KZ, MD, RU, TJ, TM),
European (AT, BE, BG, CH, CY, CZ, DE, DK, EE, ES, FI,
FR, GB, GR, HU, IE, IS, IT, LT, LU, LV, MC, MT, NL, PL,
PT, RO, SE, SI, SK, TR), OAPI (BF, BJ, CF, CG, CI, CM,
GA, GN, GQ, GW, ML, MR, NE, SN, TD, TG).

Declaration under Rule 4.17:

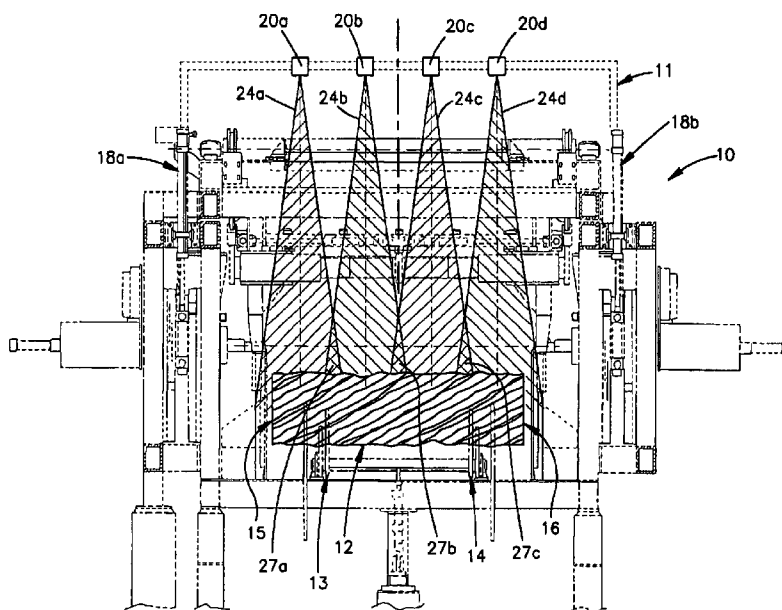
— of inventorship (Rule 4.17(iv))

Published:

— with international search report
— before the expiration of the time limit for amending the
claims and to be republished in the event of receipt of
amendments

[Continued on next page]

(54) Title: CHARGER SCANNER SYSTEM



(57) Abstract: A measurement system and method for computing a geometric center of a log block (12) in three dimensions is provided. The system comprises a charger apparatus and at least one block scanner (20) mechanism. The scanner block mechanism (20) includes an illumination source (23) for projecting light along the length of the surface of the log block, forming a plurality of scan points and an imaging device (32) for receiving the plurality of scan points that are reflected from the surface of the log block (12). The system further comprises processing unit (40) that compiles information from the imaging device (32) representative of a three-dimensional image of the log block. The processing unit calculated an optimum yield axis from the three dimensional image.

WO 2008/027150 A3



(88) Date of publication of the international search report:
20 November 2008

INTERNATIONAL SEARCH REPORT

International application No.

PCT/US07/17217

A. CLASSIFICATION OF SUBJECT MATTER
 IPC: B23Q 15/00(2006.01)

USPC: 144/357,382
 According to International Patent Classification (IPC) or to both national classification and IPC

B. FIELDS SEARCHED

Minimum documentation searched (classification system followed by classification symbols)
 U.S. : 144/357, 382, 356, 394, 404, 209.1, 215

Documentation searched other than minimum documentation to the extent that such documents are included in the fields searched

Electronic data base consulted during the international search (name of data base and, where practicable, search terms used)

C. DOCUMENTS CONSIDERED TO BE RELEVANT

Category *	Citation of document, with indication, where appropriate, of the relevant passages	Relevant to claim No.
A	US 6,116,306 A (Ely, Gary) 12 September 2000 (12.09.2000) Entire Document	1-18
A	US 4,884,605 A (Ely, Gary) 5 December 1989 (05.12.1989) Entire Document	1-18
A	US 4,412,297 A (Halgrimson et al.) 25 October 1983 (10.25.1983) Entire Document	1-18
A	US 4,248,532 A (Nosler, John) 3 February 1981 (03.02.1981) Entire Document	1-18

Further documents are listed in the continuation of Box C. See patent family annex.

* Special categories of cited documents:		
"A"	document defining the general state of the art which is not considered to be of particular relevance	"T" later document published after the international filing date or priority date and not in conflict with the application but cited to understand the principle or theory underlying the invention
"E"	earlier application or patent published on or after the international filing date	"X" document of particular relevance; the claimed invention cannot be considered novel or cannot be considered to involve an inventive step when the document is taken alone
"L"	document which may throw doubts on priority claim(s) or which is cited to establish the publication date of another citation or other special reason (as specified)	"Y" document of particular relevance; the claimed invention cannot be considered to involve an inventive step when the document is combined with one or more other such documents, such combination being obvious to a person skilled in the art
"O"	document referring to an oral disclosure, use, exhibition or other means	
"P"	document published prior to the international filing date but later than the priority date claimed	"&" document member of the same patent family

Date of the actual completion of the international search: 28 August 2008 (28.08.2008)

Date of mailing of the international search report: 16 SEP 2008

Name and mailing address of the ISA/US: Mail Stop PCT, Attn: ISA/US, Commissioner for Patents, P.O. Box 1450, Alexandria, Virginia 22313-1450, Facsimile No. (571) 273-3201

Authorized officer: /Shelley Self (Signature: *Leslie Self*)
 Telephone No. 571-272-4524

INTERNATIONAL SEARCH REPORT

International application No.

PCT/US07/17217

Box No. II Observations where certain claims were found unsearchable (Continuation of item 2 of first sheet)

This international search report has not been established in respect of certain claims under Article 17(2)(a) for the following reasons:

1. Claims Nos.:
because they relate to subject matter not required to be searched by this Authority, namely:

2. Claims Nos.:
because they relate to parts of the international application that do not comply with the prescribed requirements to such an extent that no meaningful international search can be carried out, specifically:

3. Claims Nos.:
because they are dependent claims and are not drafted in accordance with the second and third sentences of Rule 6.4(a).

Box No. III Observations where unity of invention is lacking (Continuation of item 3 of first sheet)

This International Searching Authority found multiple inventions in this international application, as follows:
Please See Continuation Sheet

1. As all required additional search fees were timely paid by the applicant, this international search report covers all searchable claims.
 2. As all searchable claims could be searched without effort justifying additional fees, this Authority did not invite payment of any additional fees.
 3. As only some of the required additional search fees were timely paid by the applicant, this international search report covers only those claims for which fees were paid, specifically claims Nos.:

 4. No required additional search fees were timely paid by the applicant. Consequently, this international search report is restricted to the invention first mentioned in the claims; it is covered by claims Nos.:
- Remark on Protest**
- The additional search fees were accompanied by the applicant's protest and, where applicable, the payment of a protest fee.
 - The additional search fees were accompanied by the applicant's protest but the applicable protest fee was not paid within the time limit specified in the invitation.
 - No protest accompanied the payment of additional search fees.

BOX III. OBSERVATIONS WHERE UNITY OF INVENTION IS LACKING

This application contains the following inventions or groups of inventions which are not so linked as to form a single general inventive concept under PCT Rule 13.1. In order for all inventions to be examined, the appropriate additional examination fees must be paid.

Group I, claim(s) 1-11, drawn to measurement system for computing a center of a log block.

Group II, claim(s) 12-18, drawn to method for scanning a log profile generating a plurality of scan points.

The inventions listed as Groups I and II do not relate to a single general inventive concept under PCT Rule 13.1 because, under PCT Rule 13.2, they lack the same or corresponding special technical features for the following reasons: the invention of Group II includes generating multiple scan paths from an imaging device, while the invention of Group I is drawn to calculating an optimum yield axis of a log block. Accordingly the claimed inventions of Groups I and II do not include a single inventive concept and are thus separable and lack unit.