

(19) World Intellectual Property Organization
International Bureau



(43) International Publication Date
19 January 2012 (19.01.2012)

(10) International Publication Number
WO 2012/009264 A3

(51) International Patent Classification:
C23C 14/34 (2006.01)

(21) International Application Number:
PCT/US2011/043532

(22) International Filing Date:
11 July 2011 (11.07.2011)

(25) Filing Language: English

(26) Publication Language: English

(30) Priority Data:
61/363,308 12 July 2010 (12.07.2010) US

(71) Applicant (for all designated States except US): **MATERION ADVANCED MATERIALS TECHNOLOGIES AND SERVICES INC.** [US/US]; 2978 Main Street, Buffalo, NY 14214 (US).

(72) Inventors; and

(75) Inventors/Applicants (for US only): **WITYAK, George, Michael** [US/US]; 1109 Camino Ranchitos NW, Albuquerque, NM 87114 (US). **COX, Luther, Wilburn** [US/US]; 10423 Oso Grande Rd. NE, Albuquerque, NM 87111 (US).

(74) Agent: **WOMER, Jason, R.**; Hiscock & Barclay, LLP, 2000 HSBC Plaza, 100 Chestnut Street, Rochester, NY 14604 (US).

(81) Designated States (unless otherwise indicated, for every kind of national protection available): AE, AG, AL, AM,

AO, AT, AU, AZ, BA, BB, BG, BH, BR, BW, BY, BZ, CA, CH, CL, CN, CO, CR, CU, CZ, DE, DK, DM, DO, DZ, EC, EE, EG, ES, FI, GB, GD, GE, GH, GM, GT, HN, HR, HU, ID, IL, IN, IS, JP, KE, KG, KM, KN, KP, KR, KZ, LA, LC, LK, LR, LS, LT, LU, LY, MA, MD, ME, MG, MK, MN, MW, MX, MY, MZ, NA, NG, NI, NO, NZ, OM, PE, PG, PH, PL, PT, RO, RS, RU, SC, SD, SE, SG, SK, SL, SM, ST, SV, SY, TH, TJ, TM, TN, TR, TT, TZ, UA, UG, US, UZ, VC, VN, ZA, ZM, ZW.

(84) Designated States (unless otherwise indicated, for every kind of regional protection available): ARIPO (BW, GH, GM, KE, LR, LS, MW, MZ, NA, SD, SL, SZ, TZ, UG, ZM, ZW), Eurasian (AM, AZ, BY, KG, KZ, MD, RU, TJ, TM), European (AL, AT, BE, BG, CH, CY, CZ, DE, DK, EE, ES, FI, FR, GB, GR, HR, HU, IE, IS, IT, LT, LU, LV, MC, MK, MT, NL, NO, PL, PT, RO, RS, SE, SI, SK, SM, TR), OAPI (BF, BJ, CF, CG, CI, CM, GA, GN, GQ, GW, ML, MR, NE, SN, TD, TG).

Published:

- with international search report (Art. 21(3))
- before the expiration of the time limit for amending the claims and to be republished in the event of receipt of amendments (Rule 48.2(h))

(88) Date of publication of the international search report:
19 April 2012

(54) Title: ROTARY TARGET BACKING TUBE BONDING ASSEMBLY

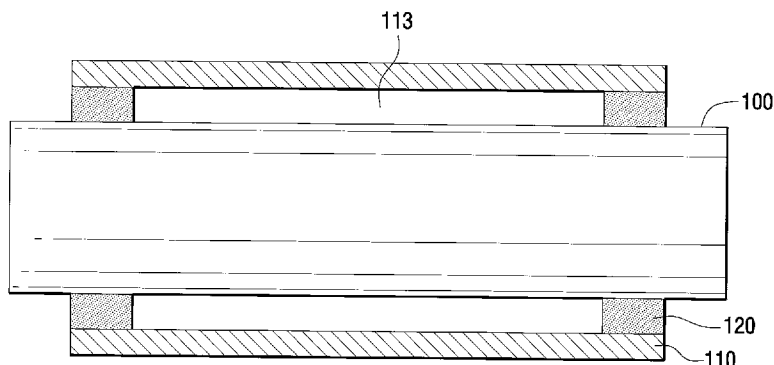


FIG. 2

(57) Abstract: A rotary sputtering target bonded to a backing tube such that the bonding material is applied only proximate the ends of the rotary sputtering target and is also between the target and the backing tube to form a gap between the rotary sputtering target and the backing tube and a device for bonding a rotary sputtering target to a backing tube.



WO 2012/009264 A3

INTERNATIONAL SEARCH REPORT

International application No.
PCT/US2011/043532**A. CLASSIFICATION OF SUBJECT MATTER***C23C 14/34(2006.01)i*

According to International Patent Classification (IPC) or to both national classification and IPC

B. FIELDS SEARCHED

Minimum documentation searched (classification system followed by classification symbols)

C23C 14/34; H01J 37/34; C23C 14/35

Documentation searched other than minimum documentation to the extent that such documents are included in the fields searched

Korean utility models and applications for utility models
Japanese utility models and applications for utility models

Electronic data base consulted during the international search (name of data base and, where practicable, search terms used)

eKOMPASS(KIPO internal) & Keywords: rotary, target, bond

C. DOCUMENTS CONSIDERED TO BE RELEVANT

Category*	Citation of document, with indication, where appropriate, of the relevant passages	Relevant to claim No.
A	JP 2005-520935 A (WURCZINGER, Dieter) 14 July 2005 See abstract; figures 2,3; claim 1.	1-20
A	JP 2008-505250 A (Cardinal CG Company, General Plasma, Inc.) 21 February 2008 See abstract; figures 1-5; claim 1.	1-20
A	JP 2010-100930 A (TOSOH CORP) 06 May 2010 See abstract; figure 1; claims 1,5.	1-20
A	JP 2010-070842 A (TOSOH CORP) 02 April 2010 See abstract; figure 3; claim 1.	1-20

 Further documents are listed in the continuation of Box C. See patent family annex.

* Special categories of cited documents:

"A" document defining the general state of the art which is not considered to be of particular relevance

"E" earlier application or patent but published on or after the international filing date

"L" document which may throw doubts on priority claim(s) or which is cited to establish the publication date of citation or other special reason (as specified)

"O" document referring to an oral disclosure, use, exhibition or other means

"P" document published prior to the international filing date but later than the priority date claimed

"T" later document published after the international filing date or priority date and not in conflict with the application but cited to understand the principle or theory underlying the invention

"X" document of particular relevance; the claimed invention cannot be considered novel or cannot be considered to involve an inventive step when the document is taken alone

"Y" document of particular relevance; the claimed invention cannot be considered to involve an inventive step when the document is combined with one or more other such documents, such combination being obvious to a person skilled in the art

"&" document member of the same patent family

Date of the actual completion of the international search

09 FEBRUARY 2012 (09.02.2012)

Date of mailing of the international search report

17 FEBRUARY 2012 (17.02.2012)

Name and mailing address of the ISA/KR

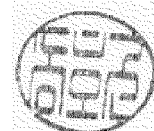
Korean Intellectual Property Office
Government Complex-Daejeon, 189 Cheongsu-ro,
Seo-gu, Daejeon 302-701, Republic of Korea

Facsimile No. 82-42-472-7140

Authorized officer

Song Ho Keun

Telephone No. 82-42-481-8418



INTERNATIONAL SEARCH REPORT

Information on patent family members

International application No.

PCT/US2011/043532

Patent document cited in search report	Publication date	Patent family member(s)	Publication date
JP 2005-520935 A	14.07.2005	AU 2003-223879 A1	08.10.2003
		DE 10213049 A1	02.10.2003
		EP 1490528 A1	29.12.2004
		EP 1490528 B1	29.06.2005
		JP 2005-520935 T	14.07.2005
		US 2005-0178662 A1	18.08.2005
		WO 03-080891 A1	02.10.2003
JP 2008-505250 A	21.02.2008	CA 2567372 A1	19.01.2006
		EP 1774563 A1	18.04.2007
		JP 2008-505250 T	21.02.2008
		WO 2006-007504 A1	19.01.2006
JP 2010-100930 A	06.05.2010	CN 102165092 A	24.08.2011
		EP 2339046 A1	29.06.2011
		KR 10-2011-0060938 A	08.06.2011
		TW 201020333 A	01.06.2010
		US 2011-0240467 A1	06.10.2011
		WO 2010-035718 A1	01.04.2010
JP 2010-070842 A	02.04.2010	None	