



(51) International Patent Classification:
H04R 1/10 (2006.01)

(21) International Application Number:
PCT/US20 12/047975

(22) International Filing Date:
24 July 2012 (24.07.2012)

(25) Filing Language: English

(26) Publication Language: English

(30) Priority Data:
13/193,288 28 July 2011 (28.07.2011) US

(71) Applicant (for all designated States except US): **BOSE CORPORATION** [US/US]; The Mountain, MS40, Framingham, Massachusetts 01701-9168 (US).

(72) Inventors; and

(75) Inventors/Applicants (for US only): **MONAHAN, Michael** [US/US]; c/o BOSE CORPORATION, The Mountain, MS 40, Framingham, Massachusetts 01701-9168 (US). **SILVESTRI, Ryan C.** [US/US]; c/o BOSE CORPORATION, The Mountain, MS 40, Framingham, Massachusetts 01701-9168 (US). **WALLACE, Eric M.** [US/US]; c/o BOSE CORPORATION, The Mountain, MS 40, Framingham, Massachusetts 01701-9168 (US). **ANNUNZIATO, Kevin P.** [US/US]; c/o BOSE CORPORATION, The Mountain, MS 40, Framingham, Massachusetts 01701-9168 (US).

tion, The Mountain, MS 40, Framingham, Massachusetts 01701-9168 (US).

(74) Agent: **SATOW, Clayton L.**; BOSE CORPORATION, The Mountain, MS 40, Framingham, Massachusetts 01701-9168 (US).

(81) Designated States (unless otherwise indicated, for every kind of national protection available): AE, AG, AL, AM, AO, AT, AU, AZ, BA, BB, BG, BH, BN, BR, BW, BY, BZ, CA, CH, CL, CN, CO, CR, CU, CZ, DE, DK, DM, DO, DZ, EC, EE, EG, ES, FI, GB, GD, GE, GH, GM, GT, HN, HR, HU, ID, IL, IN, IS, JP, KE, KG, KM, KN, KR, KZ, LA, LC, LK, LR, LS, LT, LU, LY, MA, MD, ME, MG, MK, MN, MW, MX, MY, MZ, NA, NG, NI, NO, NZ, OM, PE, PG, PH, PL, PT, QA, RO, RS, RU, RW, SC, SD, SE, SG, SK, SL, SM, ST, SV, SY, TH, TJ, TM, TN, TR, TT, TZ, UA, UG, US, UZ, VC, VN, ZA, ZM, ZW.

(84) Designated States (unless otherwise indicated, for every kind of regional protection available): ARIPO (BW, GH, GM, KE, LR, LS, MW, MZ, NA, RW, SD, SL, SZ, TZ, UG, ZM, ZW), Eurasian (AM, AZ, BY, KG, KZ, RU, TJ, TM), European (AL, AT, BE, BG, CH, CY, CZ, DE, DK, EE, ES, FI, FR, GB, GR, HR, HU, IE, IS, IT, LT, LU, LV, MC, MK, MT, NL, NO, PL, PT, RO, RS, SE, SI, SK, SM, TR), OAPI (BF, BJ, CF, CG, CI, CM, GA, GN, GQ, GW, ML, MR, NE, SN, TD, TG).

[Continued on nextpage]

(54) Title: EARPIECE PASSIVE NOISE ATTENUATING

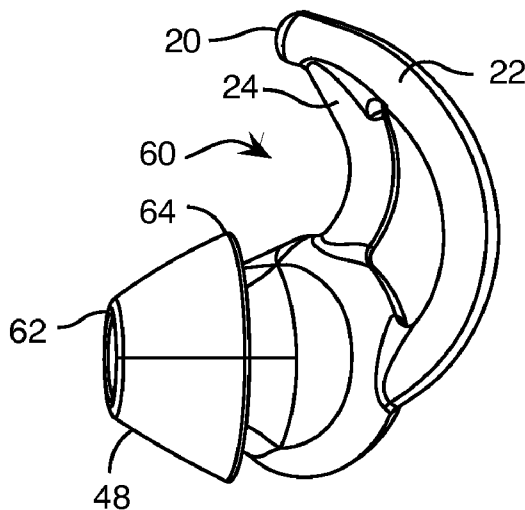


FIG. 5C

(57) Abstract: An earpiece with structure for positioning and retaining the earpiece and with structure for sealing against the entrance to the ear canal to provide passive noise attenuation. The positioning and retaining structure engages features of the lateral surface of the ear. The structure for sealing against the entrance to the ear canal includes a conical structure.



Published:

— *with international search report (Art. 21(3))*

(88) Date of publication of the international search report:

11 July 2013

INTERNATIONAL SEARCH REPORT

International application No
PCT/US2012/047975

A. CLASSIFICATION OF SUBJECT MATTER
INV. H04R1/10
ADD.

According to International Patent Classification (IPC) or to both national classification and IPC

B. FIELDS SEARCHED

Minimum documentation searched (classification system followed by classification symbols)
H04R A61F

Documentation searched other than minimum documentation to the extent that such documents are included in the fields searched

Electronic data base consulted during the international search (name of data base and, where practicable, search terms used)

EPO-Internal , WPI Data

C. DOCUMENTS CONSIDERED TO BE RELEVANT

Category*	Citation of document, with indication, where appropriate, of the relevant passages	Relevant to claim No.
X	wo 2010/040351 AI (WIDEX AS [DK] ; LARSEN TINA AHLBERG [DK] ; JENSEN LARS BAEKGAARD [DK] ; N) 15 April 2010 (2010-04-15) page 10, line 25 - page 11, line 30; figures 5,6,8 -----	1-24
X	wo 2010/040350 AI (WIDEX AS [DK] ; LARSEN TINA AHLBERG [DK] ; OLSEN JØRGEN MEJNER [DK]) 15 April 2010 (2010-04-15) the whole document -----	1-24
X	US 2007/116309 AI (SMITH RICHARD C [US]) 24 May 2007 (2007-05-24) paragraph [0046] - paragraph [0065] ; figures 7,8, 15-18 ----- -/- .	1-24

Further documents are listed in the continuation of Box C.

See patent family annex.

* Special categories of cited documents :

"A" document defining the general state of the art which is not considered to be of particular relevance

"E" earlier application or patent but published on or after the international filing date

"L" document which may throw doubts on priority claim(s) or which is cited to establish the publication date of another citation or other special reason (as specified)

"O" document referring to an oral disclosure, use, exhibition or other means

"P" document published prior to the international filing date but later than the priority date claimed

"T" later document published after the international filing date or priority date and not in conflict with the application but cited to understand the principle or theory underlying the invention

"X" document of particular relevance; the claimed invention cannot be considered novel or cannot be considered to involve an inventive step when the document is taken alone

"Y" document of particular relevance; the claimed invention cannot be considered to involve an inventive step when the document is combined with one or more other such documents, such combination being obvious to a person skilled in the art

"&" document member of the same patent family

Date of the actual completion of the international search

6 March 2013

Date of mailing of the international search report

18/03/2013

Name and mailing address of the ISA/

European Patent Office, P.B. 5818 Patentlaan 2
NL - 2280 HV Rijswijk
Tel. (+31-70) 340-2040,
Fax: (+31-70) 340-3016

Authorized officer

Timms , Ol egs

INTERNATIONAL SEARCH REPORT

International application No
PCT/US2012/047975

C(Continuation). DOCUMENTS CONSIDERED TO BE RELEVANT		
Category*	Citation of document, with indication, where appropriate, of the relevant passages	Relevant to claim No.
X	US 2 538 339 A (THOMAS MARY J) 16 January 1951 (1951-01-16) the whole document -----	1
X	wo 2004/068896 A2 (SMITH RICHARD C [US] ; SMITH DIANN Y [US]) 12 August 2004 (2004-08-12) the whole document -----	1-24
X	wo 2010/031775 AI (SENNHEISER ELECTRONIC [DE] ; TAN CHEE KEONG [SG] ; WONG YUEN SHEN [SG]) 25 March 2010 (2010-03-25) the whole document -----	1-24

INTERNATIONAL SEARCH REPORT

Information on patent family members

International application No PCT/US2012/047975
--

Patent document cited in search report	Publication date	Patent family member(s)	Publication date
WO 2010040351 A1	15-04-2010	AU 2008362610 A1 CA 2739942 A1 CN 102132587 A EP 2338288 A1 JP 2011524704 A US 2011188690 A1 WO 2010040351 A1	15-04-2010 15-04-2010 20-07-2011 29-06-2011 01-09-2011 04-08-2011 15-04-2010

WO 2010040350 A1	15-04-2010	AU 2008362609 A1 CA 2740006 A1 CN 102742296 A EP 2332343 A1 JP 2011524703 A US 2011182454 A1 WO 2010040350 A1	15-04-2010 15-04-2010 17-10-2012 15-06-2011 01-09-2011 28-07-2011 15-04-2010

US 2007116309 A1	24-05-2007	NONE	

US 2538339 A	16-01-1951	NONE	

wo 2004068896 A2	12-08-2004	US 2005008180 A1 WO 2004068896 A2	13-01-2005 12-08-2004

wo 2010031775 A1	25-03-2010	CN 102217329 A DE 102008047520 A1 EP 2332342 A1 US 2011255729 A1 WO 2010031775 A1	12-10-2011 15-04-2010 15-06-2011 20-10-2011 25-03-2010
