



(12) **United States Design Patent**
Lenz et al.

(10) **Patent No.:** **US D803,592 S**
(45) **Date of Patent:** **** Nov. 28, 2017**

- (54) **SEAT**
- (71) Applicant: **ongo GmbH**, Stuttgart (DE)
- (72) Inventors: **Eberhard Lenz**, Stuttgart (DE); **Stefan Lippert**, Stuttgart (DE); **Thorsten Wickert**, Stuttgart (DE)
- (73) Assignee: **ONGO GMBH**, Stuttgart (DE)
- (**) Term: **15 Years**
- (21) Appl. No.: **29/577,361**
- (22) Filed: **Sep. 12, 2016**

D458,765 S *	6/2002	Barbieri	D6/349
D523,251 S *	6/2006	Parpala	D6/352
D581,705 S *	12/2008	Li	D6/692.3
D595,969 S *	7/2009	Hanusiak	D6/349
D651,422 S *	1/2012	Unterrainer	D6/349
D668,464 S *	10/2012	Du	D6/353
D671,772 S *	12/2012	Lee	D6/692.3
D683,975 S *	6/2013	Starck	D6/349
D686,829 S *	7/2013	Elmaleh	D6/352
D721,526 S *	1/2015	Bosman	D6/692.3
D741,073 S *	10/2015	Keen	D6/349
D745,287 S *	12/2015	Chadwick	D6/352
D746,073 S *	12/2015	Elmaleh	D6/349
D748,924 S *	2/2016	Walser	D6/352
D764,200 S *	8/2016	Elmaleh	D6/349

- (30) **Foreign Application Priority Data**
Mar. 10, 2016 (EP) 003023282-0001
- (51) **LOC (10) Cl.** **06-01**
- (52) **U.S. Cl.**
USPC **D6/349**
- (58) **Field of Classification Search**
USPC D6/349-353, 358-360, 364-367,
D6/370-371, 374, 403-405, 601,
D6/691-691.9, 692-692.6, 703.6, 703.7,
D6/705, 716.1; D25/62-65
CPC A47C 9/00-9/105; A47C 7/00-7/02; A47C
16/00-16/04; A47B 7/00-7/02; A47B
3/00; A47B 3/02; A47B 3/04; A47B 3/12
See application file for complete search history.

- (56) **References Cited**
U.S. PATENT DOCUMENTS
D109,674 S * 5/1938 Ranko D6/352
D283,856 S * 5/1986 Elmaleh D6/349
D292,147 S * 10/1987 Lomedico D6/349
D313,896 S * 1/1991 Kaye D6/360
D428,721 S * 8/2000 Jenkins D6/364

OTHER PUBLICATIONS

Ongo Free GmbH. [online] Published on Mar. 18, 2017. Retrieved Jul. 6, 2017 from URL:<http://www.ongo.eu/en/products/ongofree/>.*

(Continued)

Primary Examiner — Vy Koenig
(74) *Attorney, Agent, or Firm* — Symbus Law Group, LLC; Clifford D. Hya

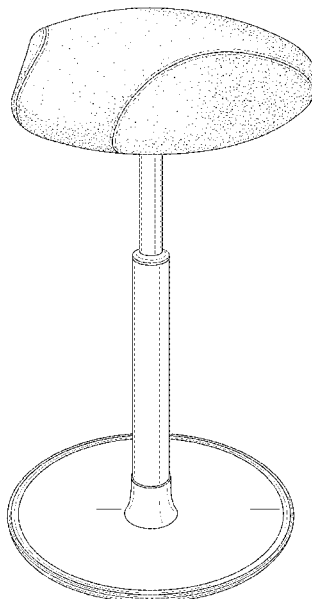
(57) **CLAIM**

The ornamental design for a seat, as shown and described.

DESCRIPTION

FIG. 1 is a perspective view of a seat, showing the front, top and right sides thereof;
FIG. 2 is a front view thereof;
FIG. 3 is a rear view thereof;
FIG. 4 is a left side view thereof;
FIG. 5 is a right side view thereof;
FIG. 6 is a top view thereof; and,
FIG. 7 is a bottom view thereof.

1 Claim, 7 Drawing Sheets



(56)

References Cited

OTHER PUBLICATIONS

Variier Move Ergonomic Stool Office Chairs USA. [online]
Retrieved Jul. 6, 2017 from URL:<[https://officechairsusa.com/
varier-move-ergonomic-stool-quickship/?gclid=
CKDI3PTS9NQCFUhWDQod_1sOdA#sthash.R4uteSsQ.dpbs](https://officechairsusa.com/varier-move-ergonomic-stool-quickship/?gclid=CKDI3PTS9NQCFUhWDQod_1sOdA#sthash.R4uteSsQ.dpbs)>.*
Kontorstol Back App 2. [online] Published on Feb. 18, 2016.
Retrieved Jul. 6, 2017 from URL:<[https://www.daaarbak.dk/
kontorstol-back-app-20-soelvgraa-stel-roed-kugle-66405.aspx](https://www.daaarbak.dk/kontorstol-back-app-20-soelvgraa-stel-roed-kugle-66405.aspx)>.*

* cited by examiner

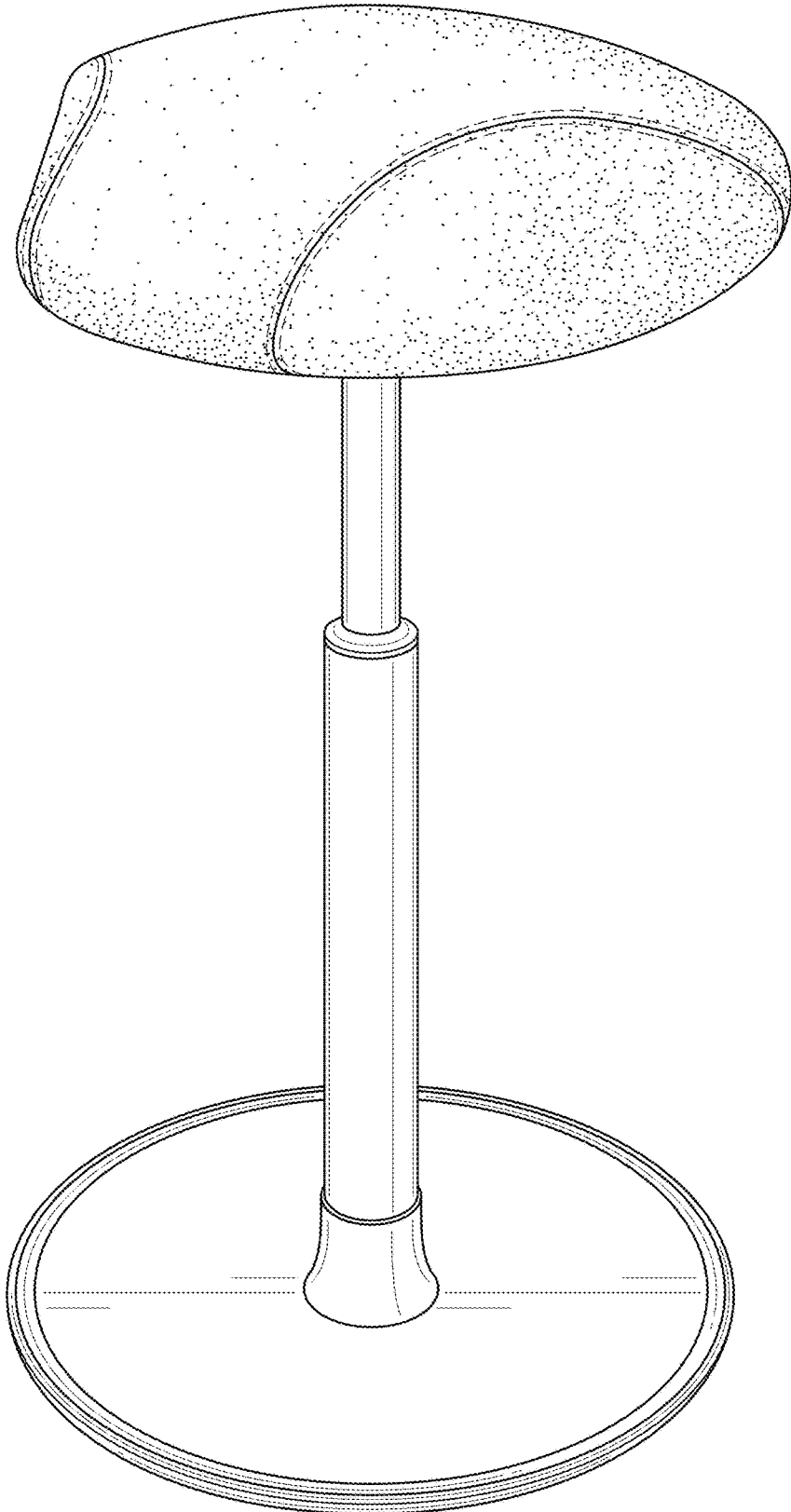


FIG. 1

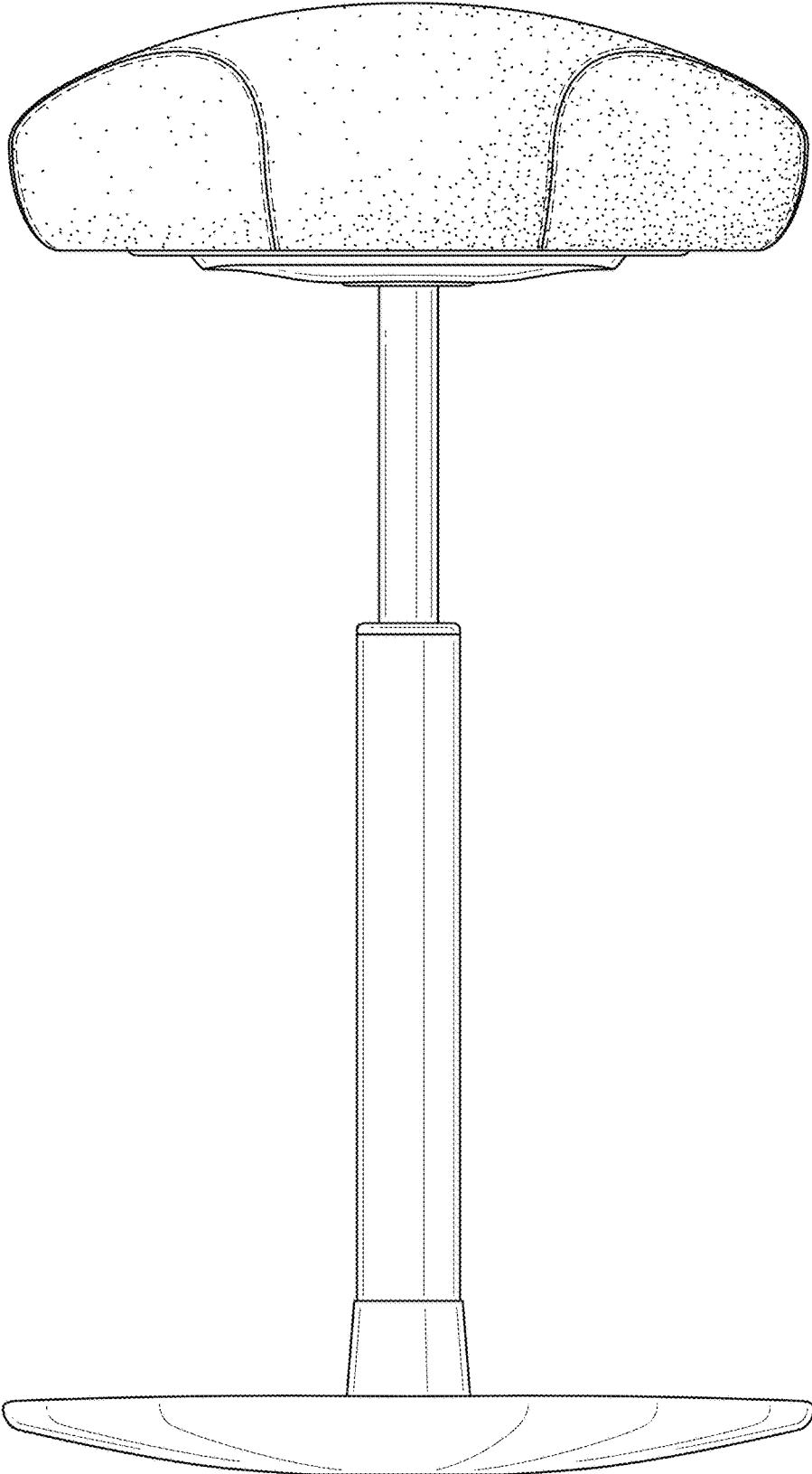


FIG. 2

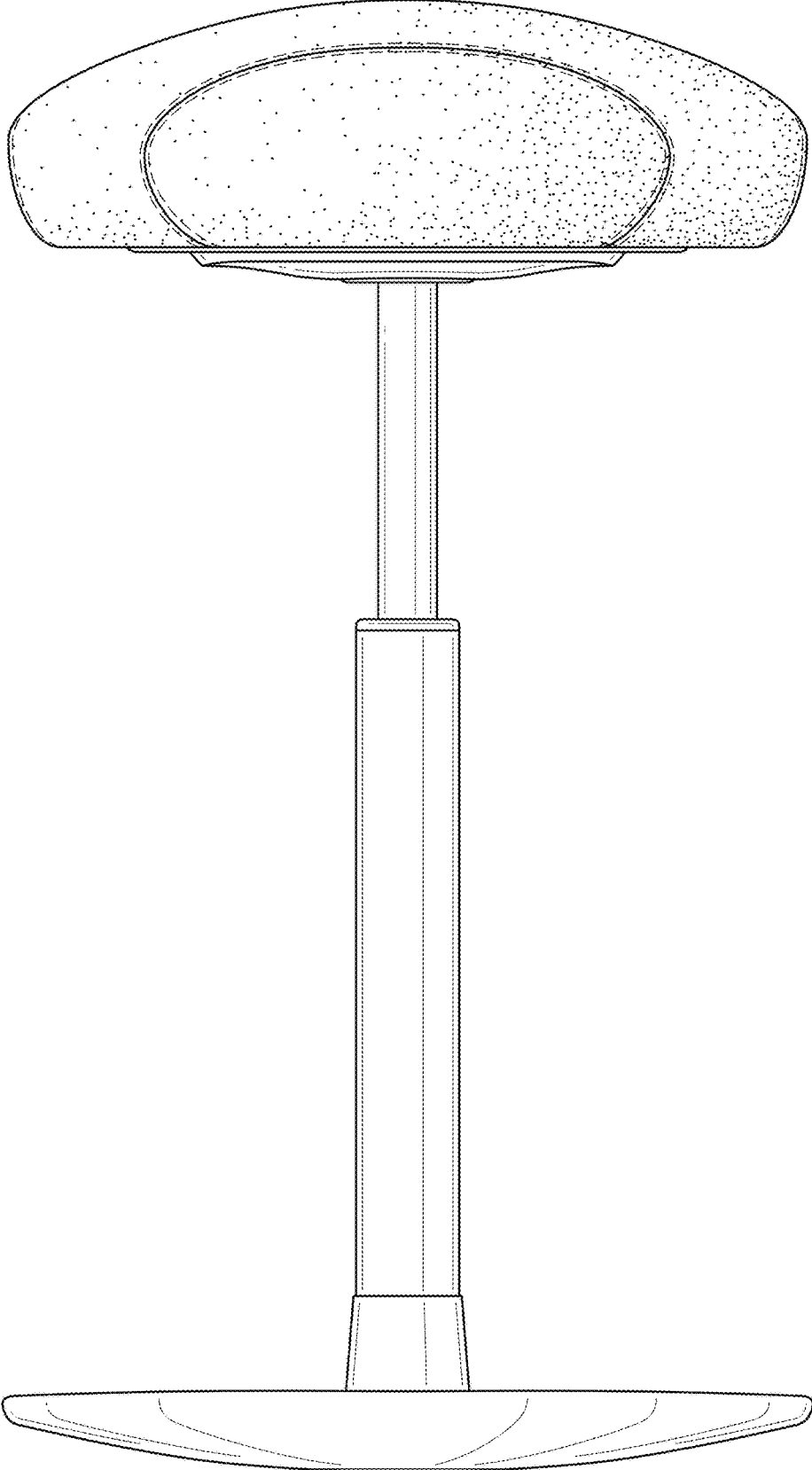


FIG. 3

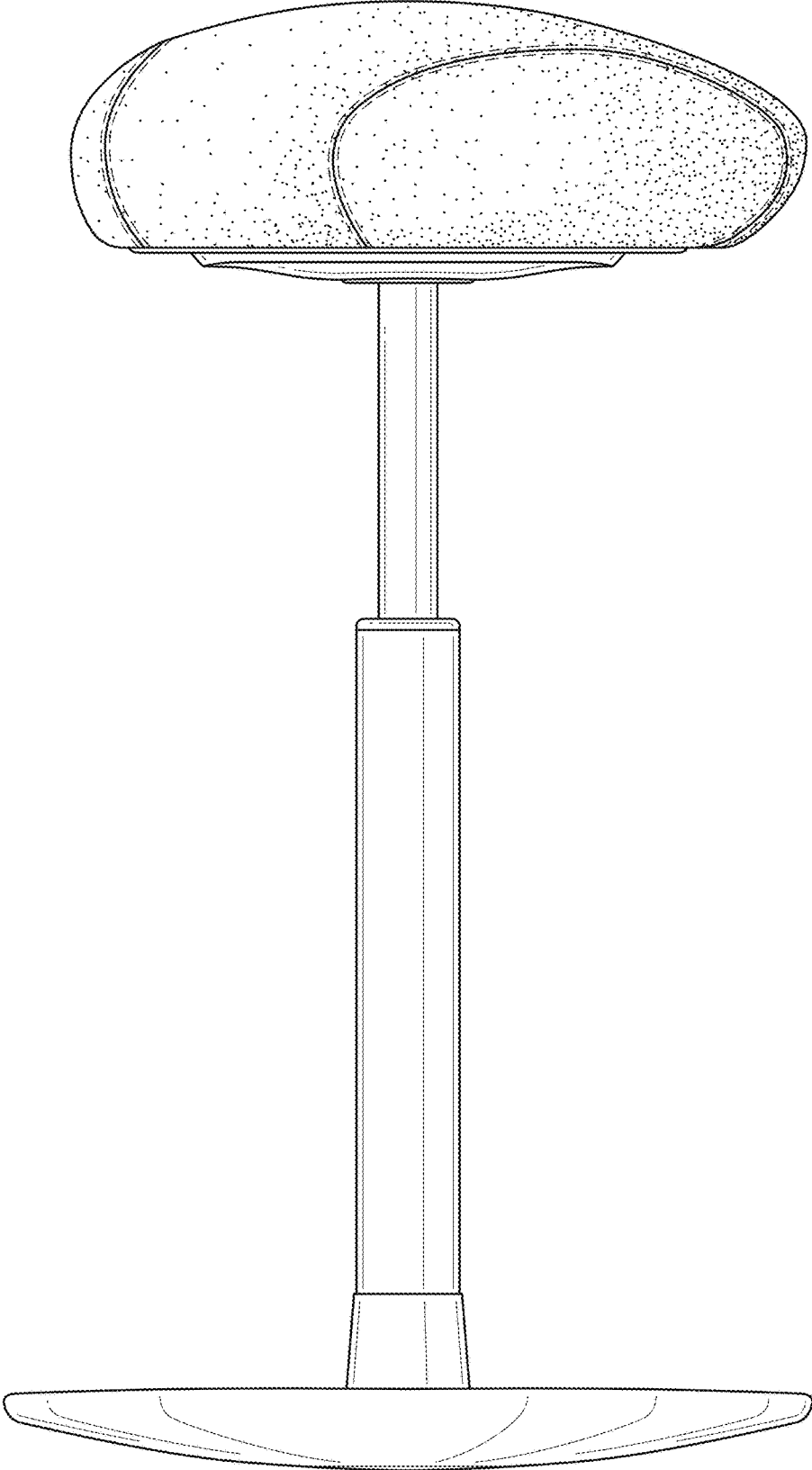


FIG. 4

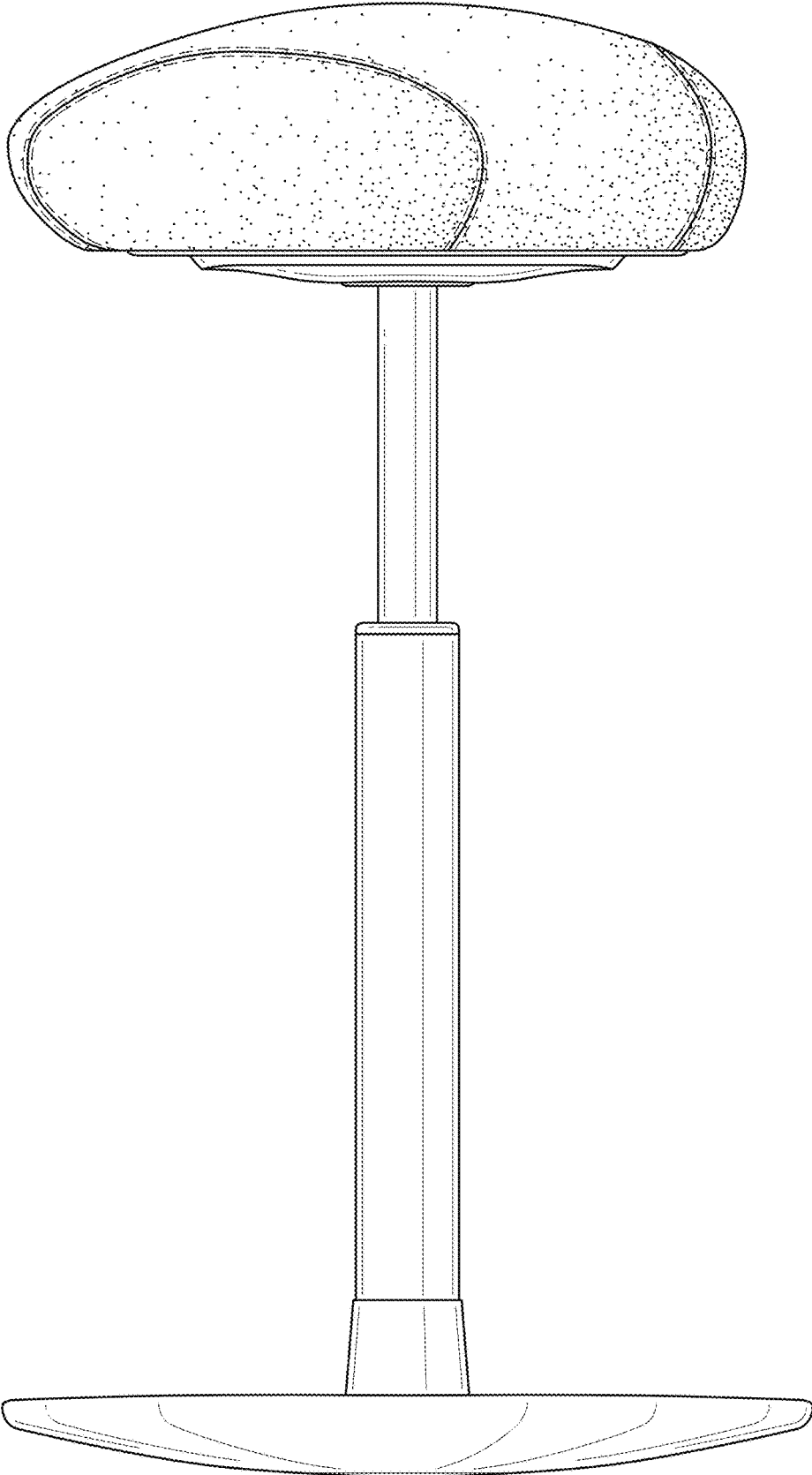


FIG. 5

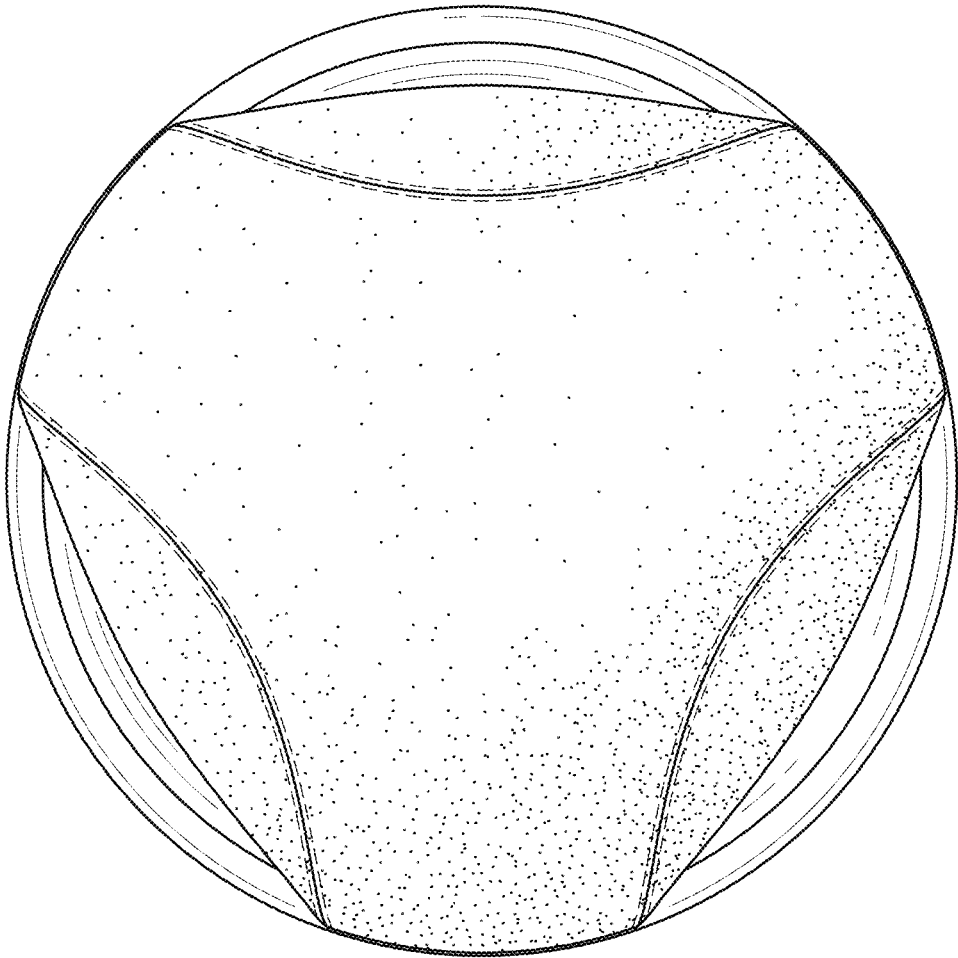


FIG. 6

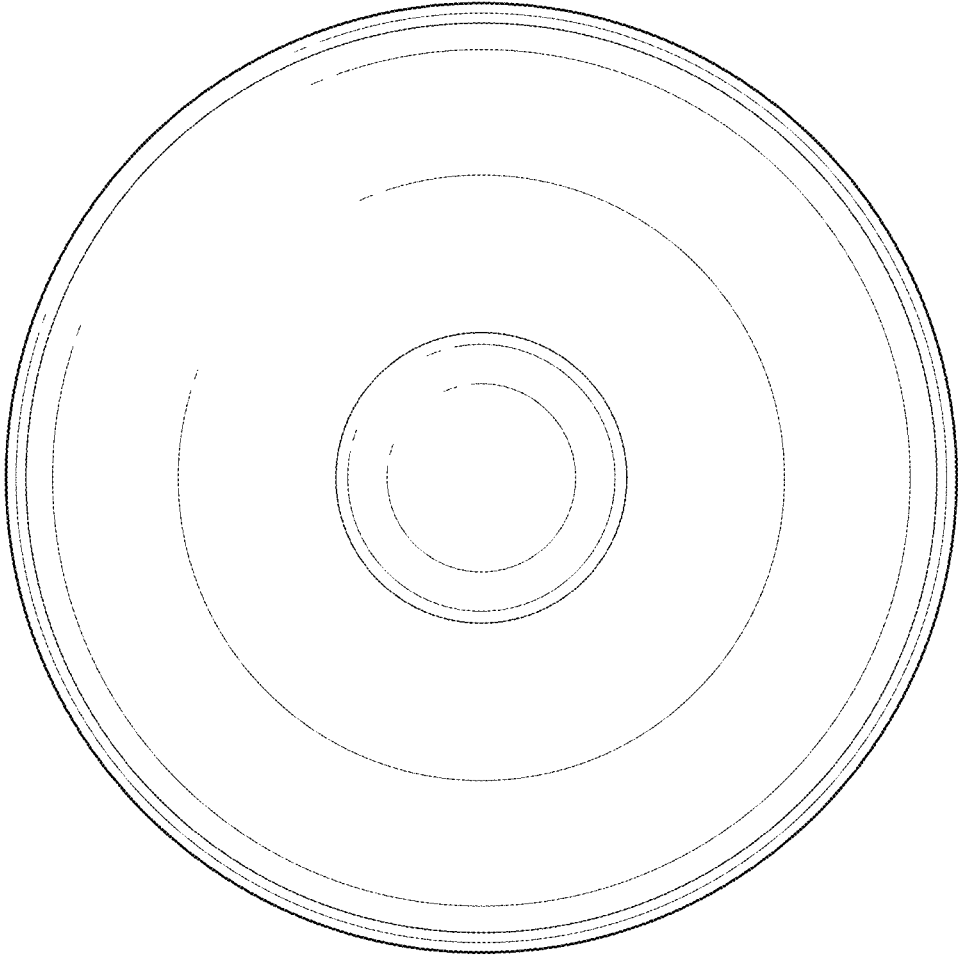


FIG. 7