



(51) International Patent Classification:

E03C 1/084 (2006.01) *B05B 1/12* (2006.01)
E03C 1/086 (2006.01) *B05B 1/34* (2006.01)

(21) International Application Number:

PCT/US2024/033034

(22) International Filing Date:

07 June 2024 (07.06.2024)

(25) Filing Language:

English

(26) Publication Language:

English

(30) Priority Data:

63/471,832 08 June 2023 (08.06.2023) US

(71) Applicant: **AS AMERICA, INC.** [US/US]; 865 Centennial Avenue, Piscataway, New Jersey 08854 (US).

(72) Inventors: **NITZ, Jacob**; c/o AS America, Inc., 865 Centennial Avenue, Piscataway, New Jersey 08854 (US).
SWEDBERG, Lydia; c/o AS America, Inc., 865 Centennial Avenue, Piscataway, New Jersey 08854 (US).

L'HENAFF, Jean-Jacques; c/o AS America, Inc., 865 Centennial Avenue, Piscataway, New Jersey 08854 (US).
MARINOV, Marin; c/o AS America, Inc., 865 Centennial Avenue, Piscataway, New Jersey 08854 (US).
YE, Xiao-jing; c/o AS America, Inc., 865 Centennial Avenue, Piscataway, New Jersey 08854 (US).

(74) Agent: **POLITO, Lea C.** et al.; Morrison & Foerster LLP, 2100 L Street, NW, Suite 900, Washington, District of Columbia 20037 (US).

(81) Designated States (unless otherwise indicated, for every kind of national protection available): AE, AG, AL, AM, AO, AT, AU, AZ, BA, BB, BG, BH, BN, BR, BW, BY, BZ, CA, CH, CL, CN, CO, CR, CU, CV, CZ, DE, DJ, DK, DM, DO, DZ, EC, EE, EG, ES, FI, GB, GD, GE, GH, GM, GT, HN, HR, HU, ID, IL, IN, IQ, IR, IS, IT, JM, JO, JP, KE, KG, KH, KN, KP, KR, KW, KZ, LA, LC, LK, LR, LS, LU, LY, MA, MD, MG, MK, MN, MU, MW, MX, MY, MZ, NA, NG, NI, NO, NZ, OM, PA, PE, PG, PH, PL, PT, QA, RO, RS, RU, RW, SA, SC, SD, SE, SG, SK, SL, ST, SV, SY, TH,

(54) Title: MULTI-FUNCTION FAUCET ASSEMBLY

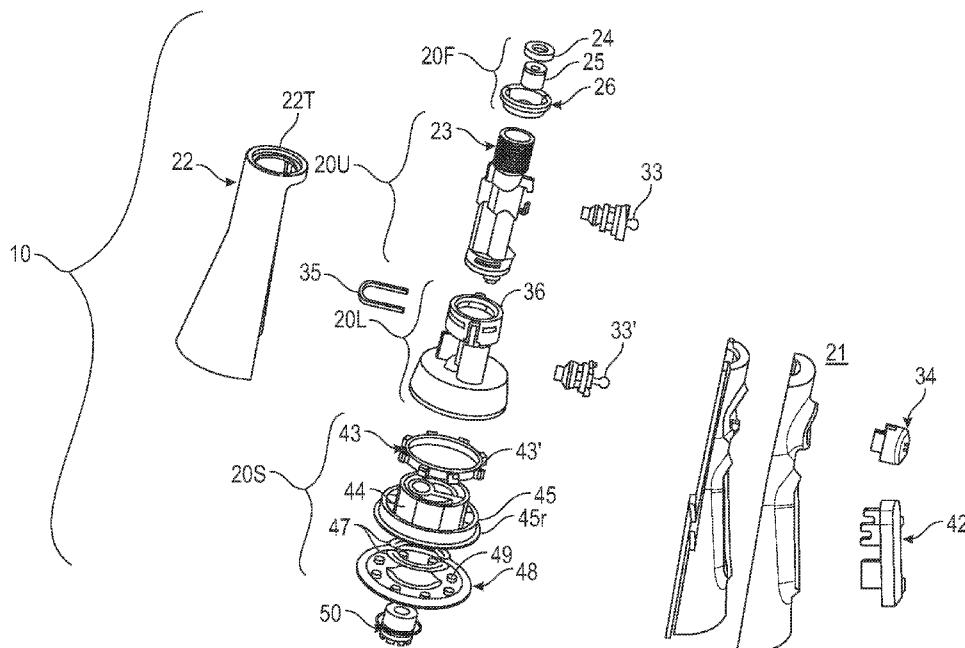


FIG. 1

(57) Abstract: A multi-function faucet assembly is provided. The multi-function faucet assembly includes a faucet body; a faucet spout; and a faucet spray head comprising a spray head face. The spray head face comprises: an aerated spray outlet positioned at a central axis or off-axis of the faucet spray head and configured to deliver the aerated spray, two or more jet spray outlets positioned around a perimeter of the aerated spray outlet and configured to deliver the jet spray, and a plurality of mist spray nozzles positioned around a perimeter of the jet spray outlets and configured to deliver the mist spray.



TJ, TM, TN, TR, TT, TZ, UA, UG, US, UZ, VC, VN, WS,
ZA, ZM, ZW.

- (84) Designated States** (*unless otherwise indicated, for every kind of regional protection available*): ARIPO (BW, CV, GH, GM, KE, LR, LS, MW, MZ, NA, RW, SC, SD, SL, ST, SZ, TZ, UG, ZM, ZW), Eurasian (AM, AZ, BY, KG, KZ, RU, TJ, TM), European (AL, AT, BE, BG, CH, CY, CZ, DE, DK, EE, ES, FI, FR, GB, GR, HR, HU, IE, IS, IT, LT, LU, LV, MC, ME, MK, MT, NL, NO, PL, PT, RO, RS, SE, SI, SK, SM, TR), OAPI (BF, BJ, CF, CG, CI, CM, GA, GN, GQ, GW, KM, ML, MR, NE, SN, TD, TG).

Published:

— *with international search report (Art. 21(3))*

(88) Date of publication of the international search report:

03 April 2025 (03.04.2025)

INTERNATIONAL SEARCH REPORT

International application No.

PCT/US 24/33034

<p>A. CLASSIFICATION OF SUBJECT MATTER</p> <p>IPC - INV. E03C 1/084, E03C 1/086, B05B 1/12 (2024.01) (ADD. B05B 1/34 (2024.01)</p> <p>CPC - INV. E03C 1/084, E03C 1/086, B05B 1/12, E03C 1/0405</p> <p>ADD. B05B 1/34, E03C 2001/026</p> <p>According to International Patent Classification (IPC) or to both national classification and IPC</p>																	
<p>B. FIELDS SEARCHED</p> <p>Minimum documentation searched (classification system followed by classification symbols) See Search History document</p> <p>Documentation searched other than minimum documentation to the extent that such documents are included in the fields searched See Search History document</p> <p>Electronic data base consulted during the international search (name of data base and, where practicable, search terms used) See Search History document</p>																	
<p>C. DOCUMENTS CONSIDERED TO BE RELEVANT</p> <table border="1"> <thead> <tr> <th>Category*</th> <th>Citation of document, with indication, where appropriate, of the relevant passages</th> <th>Relevant to claim No.</th> </tr> </thead> <tbody> <tr> <td>Y</td> <td>US 2014/0367482 A1 (WATER PIK, INC.) 18 December 2014 (18.12.2014); entire document, especially para [0196], and Fig. 1A-15.</td> <td>1-19</td> </tr> <tr> <td>Y</td> <td>US 2016/0136659 A1 (KOHLER CO.) 19 May 2016 (19.05.2016); especially para [0074], and Fig. 1-2.</td> <td>1-6, 10, 12</td> </tr> <tr> <td>Y</td> <td>"iFealClear Pull Down Spray Head 3 Modes for Kitchen Faucet, Kitchen Sink Faucet Aerator Sprayer Nozzle, Faucet Head Replacement Compatible with Moen, Delta, Kohler, 15 Adapters, Oil Rubbed Bronze" (AMAZON) 4 November 2021 (04.11.2021); retrieved from internet 10.09.2024; URL=<https://www.amazon.com/dp/B088WHD645/?th=1>; especially pg 1 About This Item, and pg 1 Large Inset Figure</td> <td>1-3, 7-11, 13-19</td> </tr> <tr> <td>Y</td> <td>US 10,322,058 B1 (PATCH) 18 June 2019 (18.06.2019); especially col 3 ln 63 to col 4 ln 5, and Fig. 1-3.</td> <td>18</td> </tr> </tbody> </table>			Category*	Citation of document, with indication, where appropriate, of the relevant passages	Relevant to claim No.	Y	US 2014/0367482 A1 (WATER PIK, INC.) 18 December 2014 (18.12.2014); entire document, especially para [0196], and Fig. 1A-15.	1-19	Y	US 2016/0136659 A1 (KOHLER CO.) 19 May 2016 (19.05.2016); especially para [0074], and Fig. 1-2.	1-6, 10, 12	Y	"iFealClear Pull Down Spray Head 3 Modes for Kitchen Faucet, Kitchen Sink Faucet Aerator Sprayer Nozzle, Faucet Head Replacement Compatible with Moen, Delta, Kohler, 15 Adapters, Oil Rubbed Bronze" (AMAZON) 4 November 2021 (04.11.2021); retrieved from internet 10.09.2024; URL=<https://www.amazon.com/dp/B088WHD645/?th=1>; especially pg 1 About This Item, and pg 1 Large Inset Figure	1-3, 7-11, 13-19	Y	US 10,322,058 B1 (PATCH) 18 June 2019 (18.06.2019); especially col 3 ln 63 to col 4 ln 5, and Fig. 1-3.	18
Category*	Citation of document, with indication, where appropriate, of the relevant passages	Relevant to claim No.															
Y	US 2014/0367482 A1 (WATER PIK, INC.) 18 December 2014 (18.12.2014); entire document, especially para [0196], and Fig. 1A-15.	1-19															
Y	US 2016/0136659 A1 (KOHLER CO.) 19 May 2016 (19.05.2016); especially para [0074], and Fig. 1-2.	1-6, 10, 12															
Y	"iFealClear Pull Down Spray Head 3 Modes for Kitchen Faucet, Kitchen Sink Faucet Aerator Sprayer Nozzle, Faucet Head Replacement Compatible with Moen, Delta, Kohler, 15 Adapters, Oil Rubbed Bronze" (AMAZON) 4 November 2021 (04.11.2021); retrieved from internet 10.09.2024; URL=<https://www.amazon.com/dp/B088WHD645/?th=1>; especially pg 1 About This Item, and pg 1 Large Inset Figure	1-3, 7-11, 13-19															
Y	US 10,322,058 B1 (PATCH) 18 June 2019 (18.06.2019); especially col 3 ln 63 to col 4 ln 5, and Fig. 1-3.	18															
<p><input type="checkbox"/> Further documents are listed in the continuation of Box C. <input type="checkbox"/> See patent family annex.</p>																	
<p>* Special categories of cited documents:</p> <table border="0"> <tr> <td style="vertical-align: top;"> <p>"A" document defining the general state of the art which is not considered to be of particular relevance</p> <p>"D" document cited by the applicant in the international application.</p> <p>"E" earlier application or patent but published on or after the international filing date</p> <p>"L" document which may throw doubts on priority claim(s) or which is cited to establish the publication date of another citation or other special reason (as specified)</p> <p>"O" document referring to an oral disclosure, use, exhibition or other means</p> <p>"P" document published prior to the international filing date but later than the priority date claimed</p> </td> <td style="vertical-align: top;"> <p>"T" later document published after the international filing date or priority date and not in conflict with the application but cited to understand the principle or theory underlying the invention</p> <p>"X" document of particular relevance; the claimed invention cannot be considered novel or cannot be considered to involve an inventive step when the document is taken alone</p> <p>"Y" document of particular relevance; the claimed invention cannot be considered to involve an inventive step when the document is combined with one or more other such documents, such combination being obvious to a person skilled in the art</p> <p>"&" document member of the same patent family</p> </td> </tr> </table>			<p>"A" document defining the general state of the art which is not considered to be of particular relevance</p> <p>"D" document cited by the applicant in the international application.</p> <p>"E" earlier application or patent but published on or after the international filing date</p> <p>"L" document which may throw doubts on priority claim(s) or which is cited to establish the publication date of another citation or other special reason (as specified)</p> <p>"O" document referring to an oral disclosure, use, exhibition or other means</p> <p>"P" document published prior to the international filing date but later than the priority date claimed</p>	<p>"T" later document published after the international filing date or priority date and not in conflict with the application but cited to understand the principle or theory underlying the invention</p> <p>"X" document of particular relevance; the claimed invention cannot be considered novel or cannot be considered to involve an inventive step when the document is taken alone</p> <p>"Y" document of particular relevance; the claimed invention cannot be considered to involve an inventive step when the document is combined with one or more other such documents, such combination being obvious to a person skilled in the art</p> <p>"&" document member of the same patent family</p>													
<p>"A" document defining the general state of the art which is not considered to be of particular relevance</p> <p>"D" document cited by the applicant in the international application.</p> <p>"E" earlier application or patent but published on or after the international filing date</p> <p>"L" document which may throw doubts on priority claim(s) or which is cited to establish the publication date of another citation or other special reason (as specified)</p> <p>"O" document referring to an oral disclosure, use, exhibition or other means</p> <p>"P" document published prior to the international filing date but later than the priority date claimed</p>	<p>"T" later document published after the international filing date or priority date and not in conflict with the application but cited to understand the principle or theory underlying the invention</p> <p>"X" document of particular relevance; the claimed invention cannot be considered novel or cannot be considered to involve an inventive step when the document is taken alone</p> <p>"Y" document of particular relevance; the claimed invention cannot be considered to involve an inventive step when the document is combined with one or more other such documents, such combination being obvious to a person skilled in the art</p> <p>"&" document member of the same patent family</p>																
<p>Date of the actual completion of the international search</p> <p>9 September 2024</p>		<p>Date of mailing of the international search report</p> <p style="text-align: center; font-size: 1.2em;">SEP 23 2024</p>															
<p>Name and mailing address of the ISA/US</p> <p>Mail Stop PCT, Attn: ISA/US, Commissioner for Patents P.O. Box 1450, Alexandria, Virginia 22313-1450 Facsimile No. 571-273-8300</p>		<p>Authorized officer</p> <p style="text-align: center;">Kari Rodriguez</p> <p>Telephone No. PCT Helpdesk: 571-272-4300</p>															