



US00D710698S

(12) **United States Design Patent**  
**Giraud et al.**

(10) **Patent No.:** **US D710,698 S**

(45) **Date of Patent:** **\*\* Aug. 12, 2014**

(54) **LID**

(75) Inventors: **Jean-Pierre Giraud**, Auburn, AL (US);  
**Tina Belfance**, Phenix City, AL (US);  
**Lee Lucas**, Opelika, AL (US); **Herve Pichot**, Chennevieres sur Marne (FR);  
**Bernard Sol**, Maisons-Alfort (FR);  
**Bruce Rabinne**, Boissy le Chatel (FR)

(73) Assignee: **Capitol Cups, Inc.**, Auburn, AL (US)

(\*\*) Term: **14 Years**

(21) Appl. No.: **29/431,094**

(22) Filed: **Sep. 4, 2012**

(51) **LOC (10) Cl.** ..... **09-07**

(52) **U.S. Cl.**

USPC ..... **D9/449; D7/396.2**

(58) **Field of Classification Search**

CPC ..... B65D 25/00; B65D 25/04; B65D 5/42;  
B65D 55/02; B65D 43/162; B65D 43/169;  
B65D 43/22; B65D 45/00

USPC ..... D7/300, 300.1, 321, 396.2, 500, 507,  
D7/509, 510, 511; D9/434, 435, 443, 444,  
D9/445, 447, 452, 455; 215/200, 235, 236,  
215/252, 254, 329, 355-364;  
220/203.04-203.07, 220, 254.1, 254.4,  
220/703, 704, 705

See application file for complete search history.

(56) **References Cited**

**U.S. PATENT DOCUMENTS**

D288,667 S \* 3/1987 Miner ..... D9/443  
D356,499 S \* 3/1995 Cautereels et al. .... D9/449  
D372,866 S \* 8/1996 Ahern, Jr. .... D9/449  
D417,583 S \* 12/1999 Demore ..... D7/392.1  
D623,017 S \* 9/2010 George ..... D7/510  
D643,245 S \* 8/2011 Minarsch ..... D7/392.1  
D644,060 S \* 8/2011 Komeiji ..... D7/392.1

D647,753 S \* 11/2011 Lin ..... D7/392.1  
D666,052 S \* 8/2012 Trombly ..... D7/392.1  
8,276,776 B2 \* 10/2012 Roth et al. .... 220/254.4  
D691,416 S \* 10/2013 Eyal ..... D7/396.2  
D692,756 S \* 11/2013 McClellan et al. .... D9/447  
2014/0008378 A1 \* 1/2014 Rinderer et al. .... 220/703

\* cited by examiner

*Primary Examiner* — Robert M Spear

*Assistant Examiner* — Marissa Cash

(74) *Attorney, Agent, or Firm* — David B. Gornish

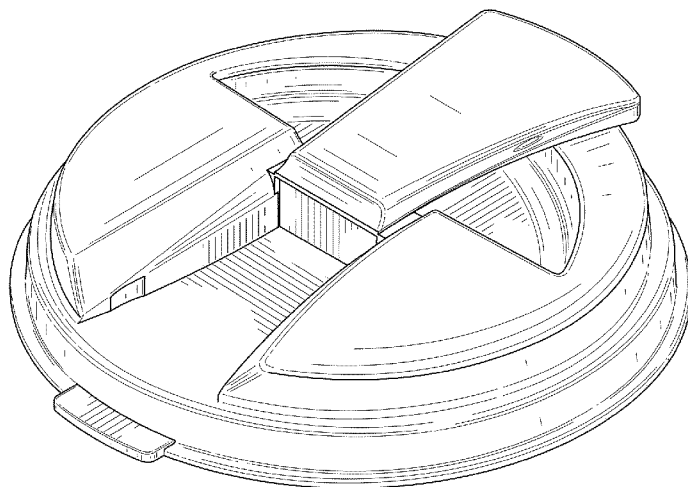
(57) **CLAIM**

The ornamental design for a lid, as shown and described.

**DESCRIPTION**

FIG. 1 is a front, top perspective view of a lid, showing our new design in a closed position;  
FIG. 2 is a front, bottom perspective view thereof;  
FIG. 3 is a rear, top perspective view thereof;  
FIG. 4 is a rear, bottom perspective view thereof;  
FIG. 5 is a front elevation thereof;  
FIG. 6 is a right side elevation thereof;  
FIG. 7 is a rear elevation thereof;  
FIG. 8 is a left side elevation thereof;  
FIG. 9 is a top plan view thereof;  
FIG. 10 is a bottom plan view thereof;  
FIG. 11 is a front, top perspective view of the lid of FIG. 1, in an opened position;  
FIG. 12 is a front, bottom perspective view thereof;  
FIG. 13 is a rear, top perspective view thereof;  
FIG. 14 is a rear, bottom perspective view thereof;  
FIG. 15 is a front elevation thereof;  
FIG. 16 is a right side elevation thereof;  
FIG. 17 is a rear elevation thereof;  
FIG. 18 is a left side elevation thereof;  
FIG. 19 is a top plan view thereof; and,  
FIG. 20 is a bottom plan view thereof.

**1 Claim, 16 Drawing Sheets**



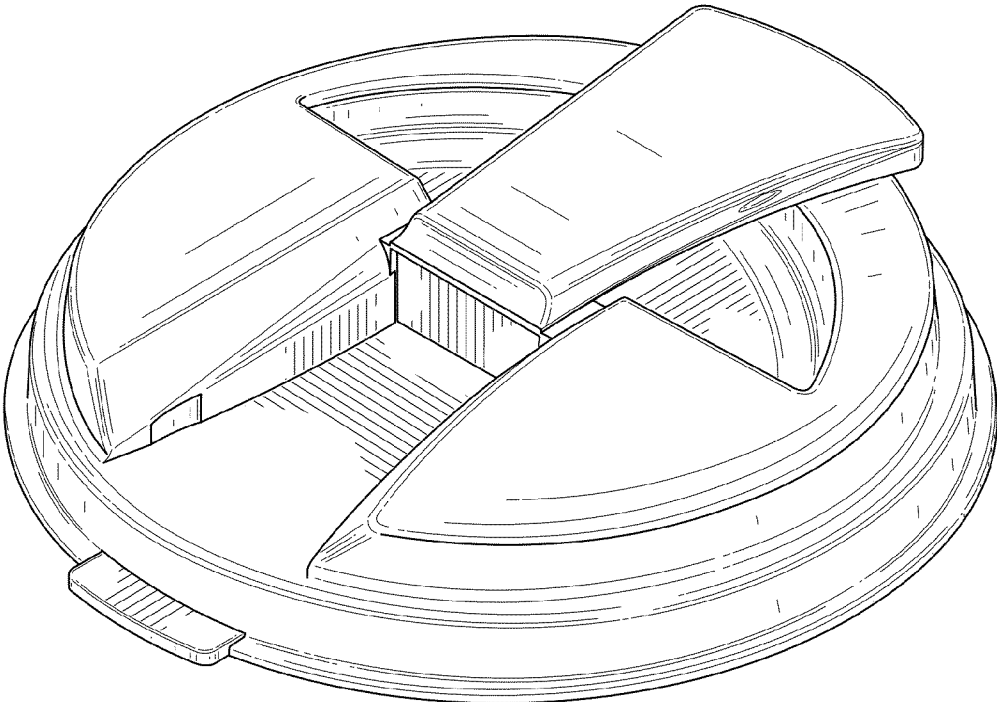


FIG. 1

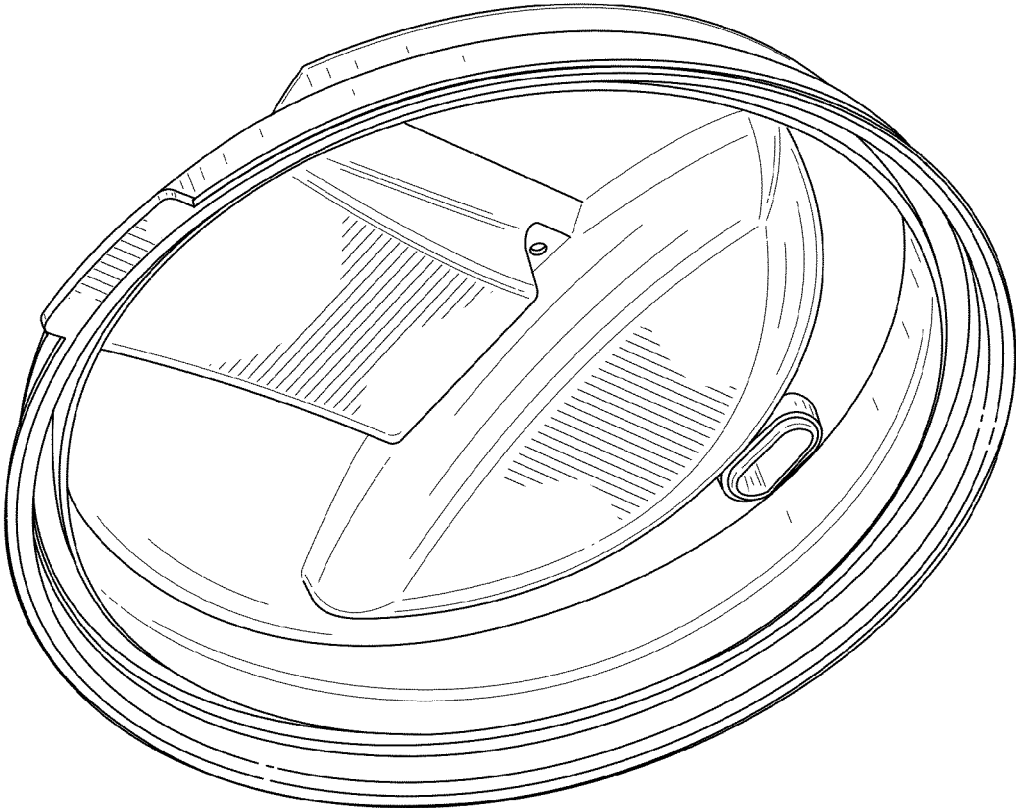
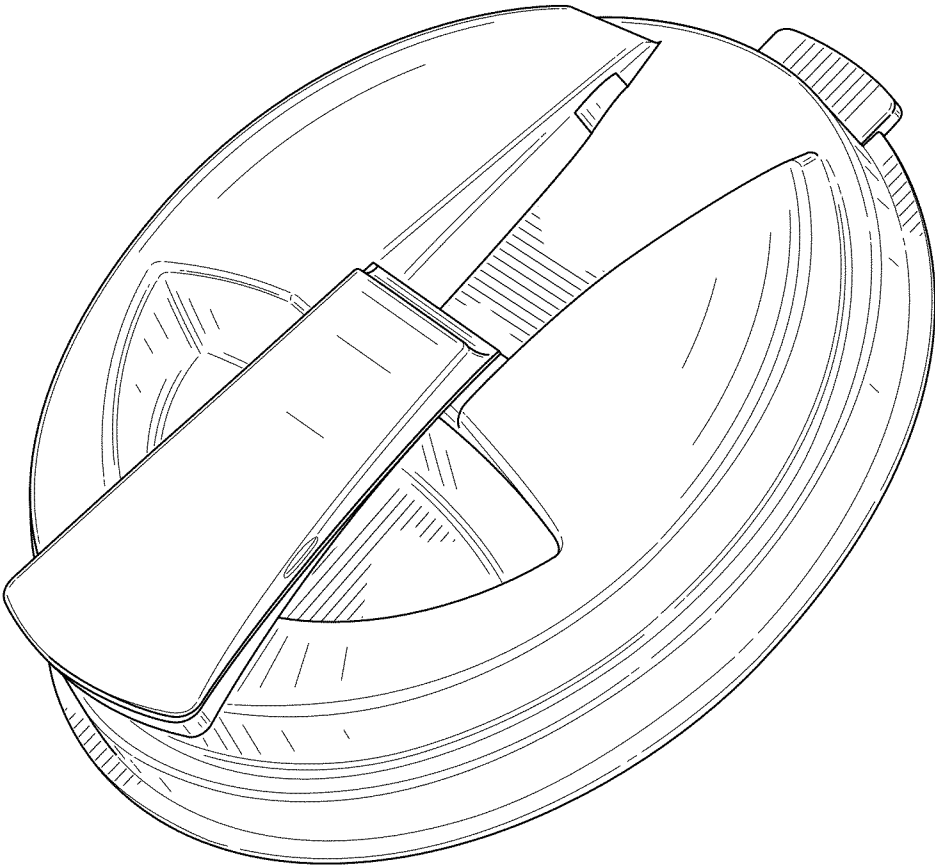
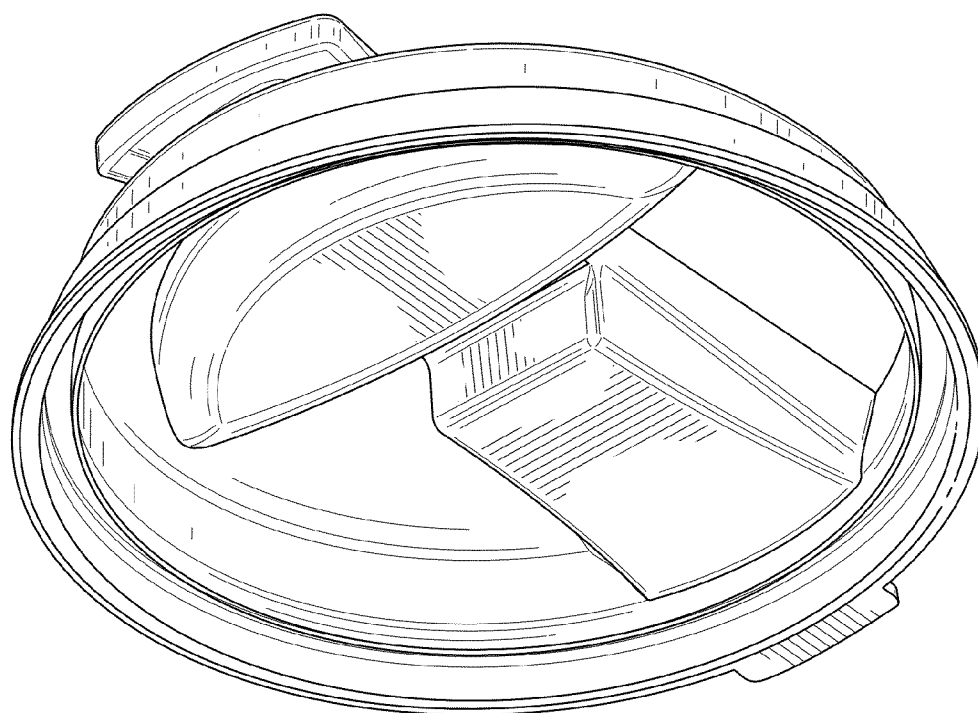


FIG. 2



**FIG. 3**



**FIG. 4**

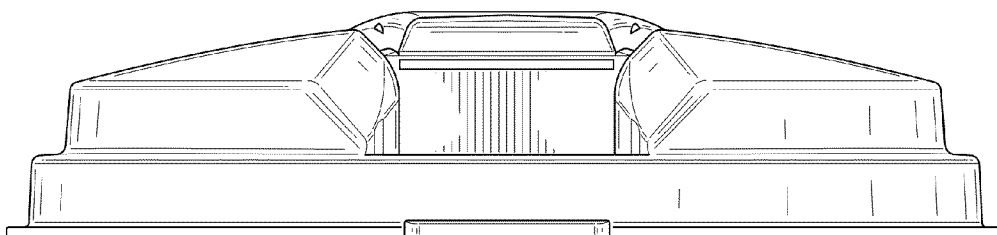


FIG. 5

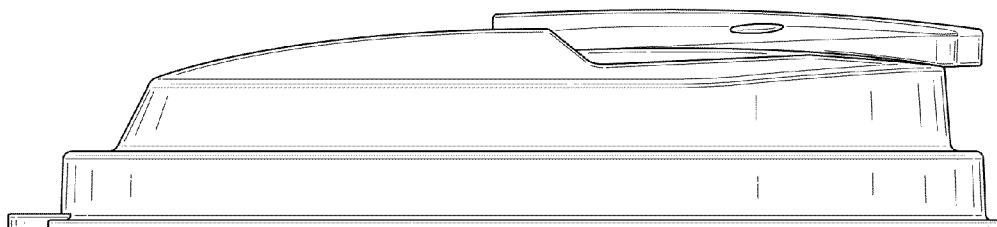
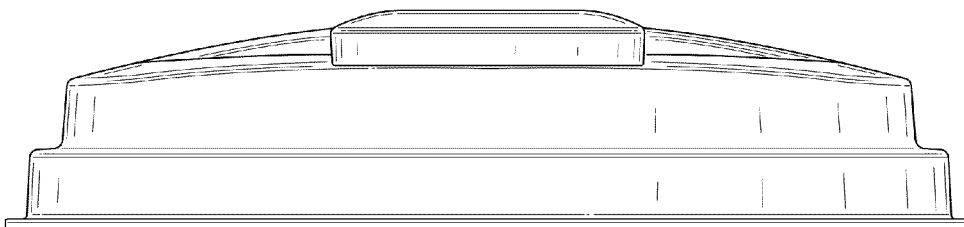
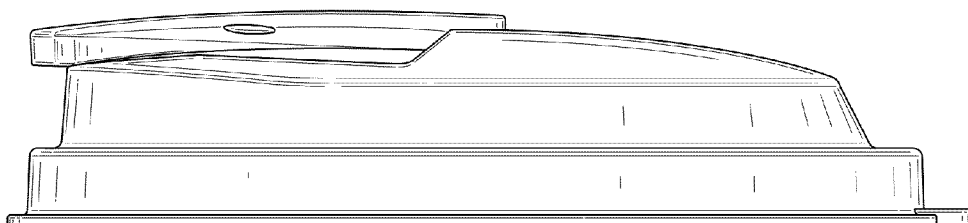


FIG. 6



*FIG. 7*



*FIG. 8*

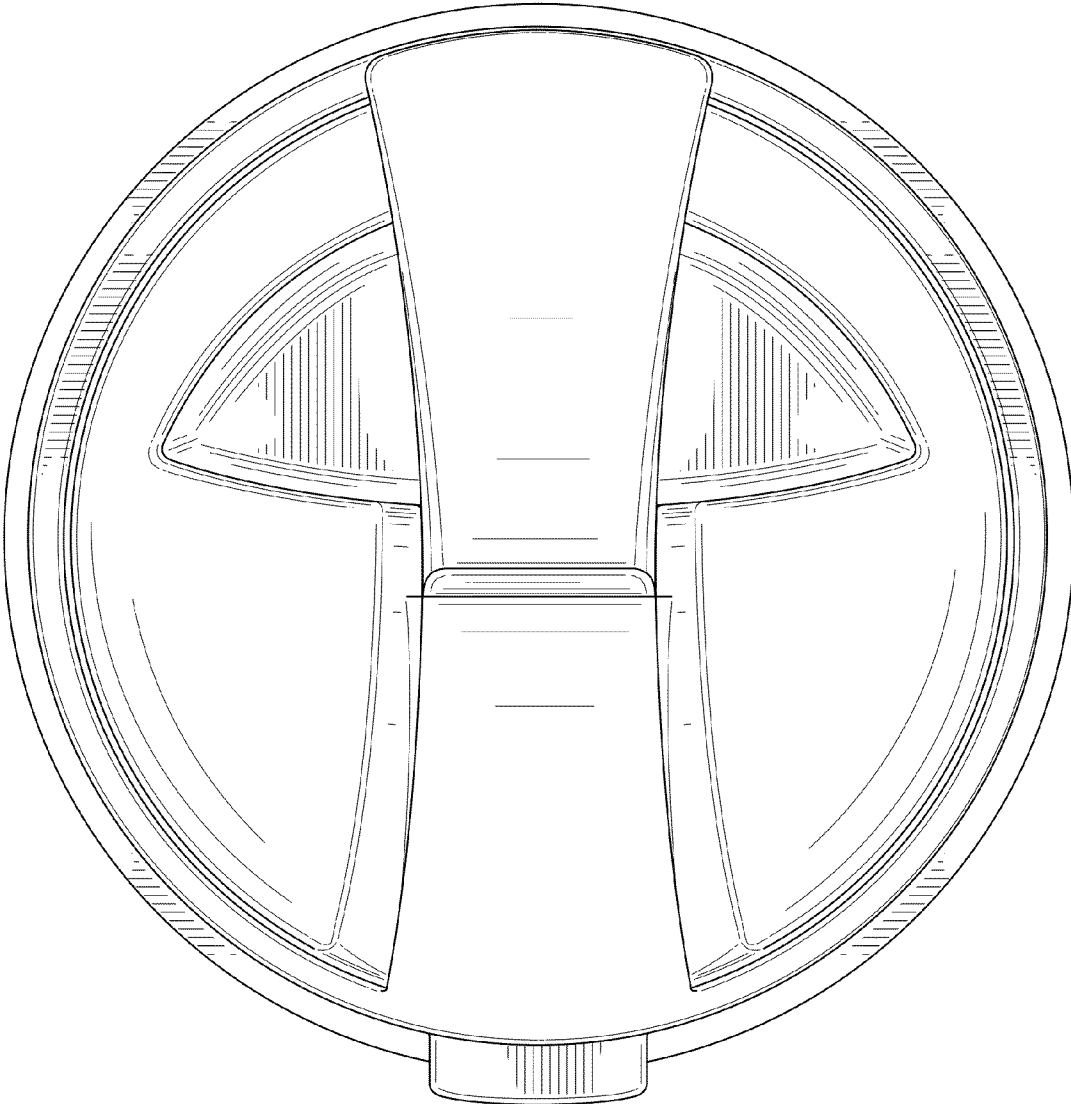
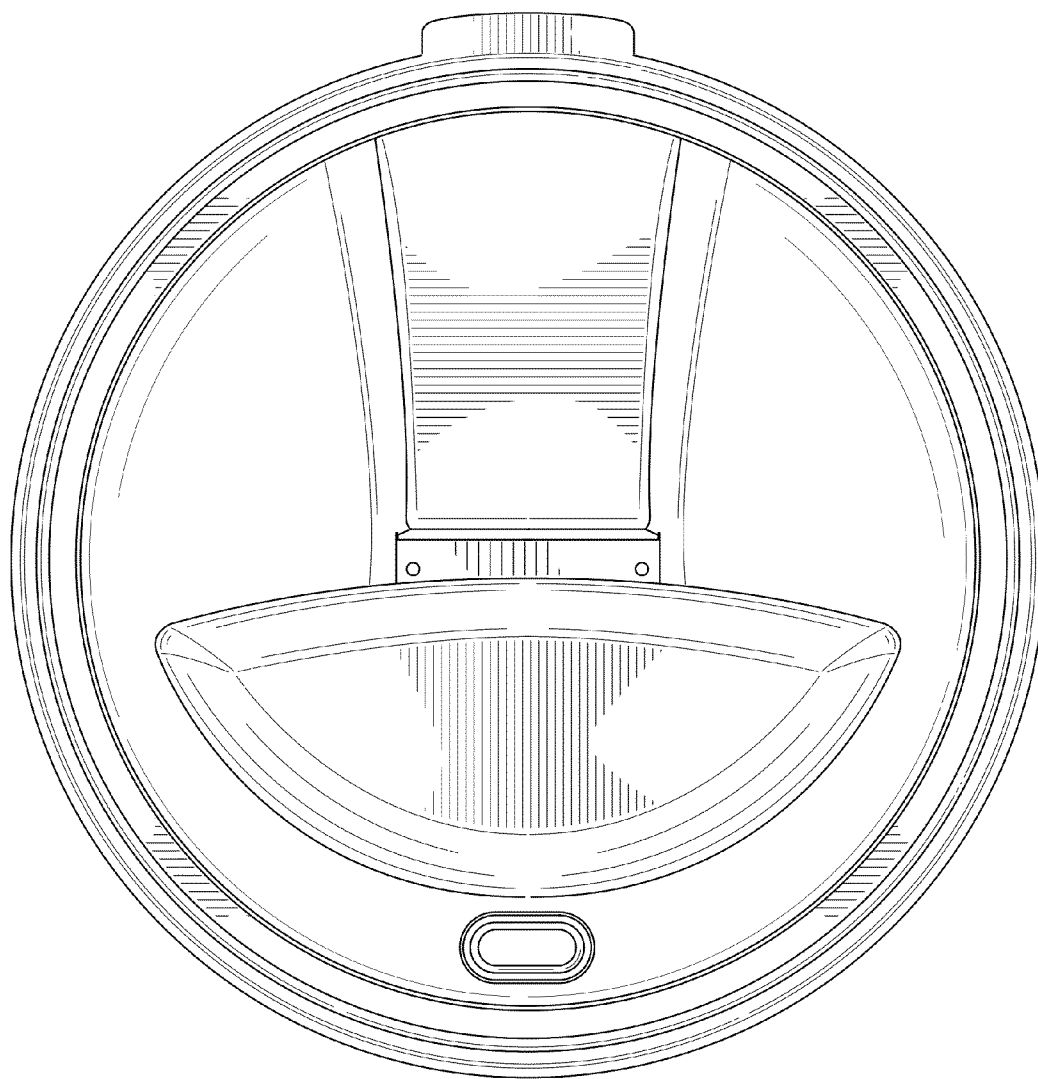


FIG. 9



**FIG. 10**

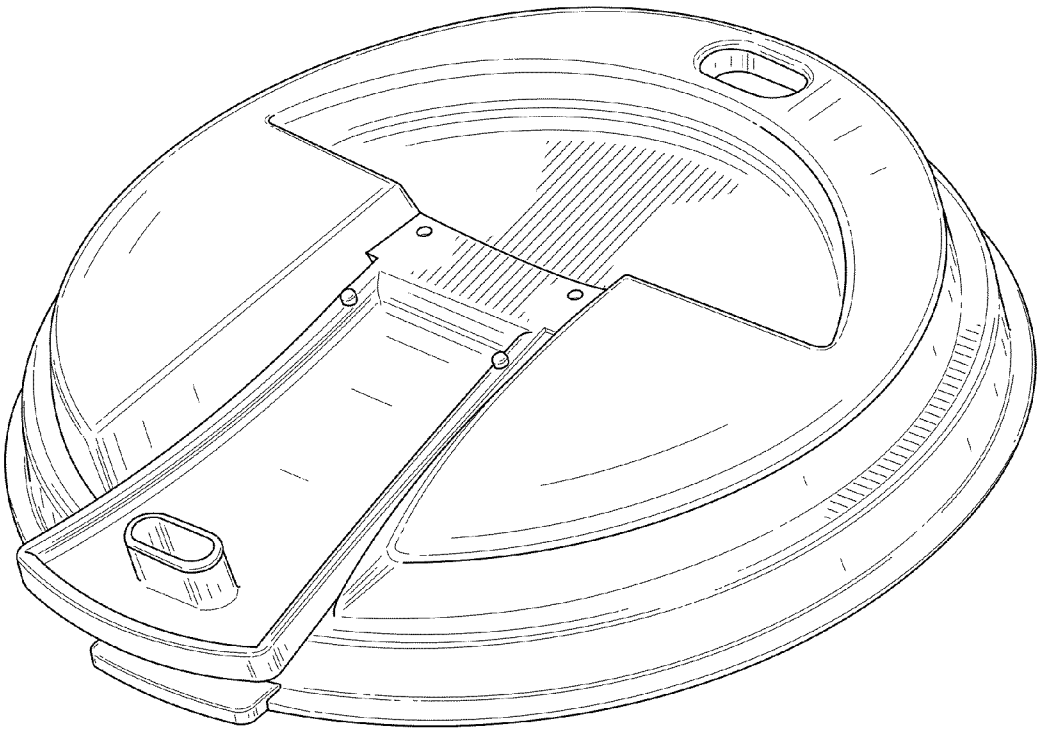


FIG. 11

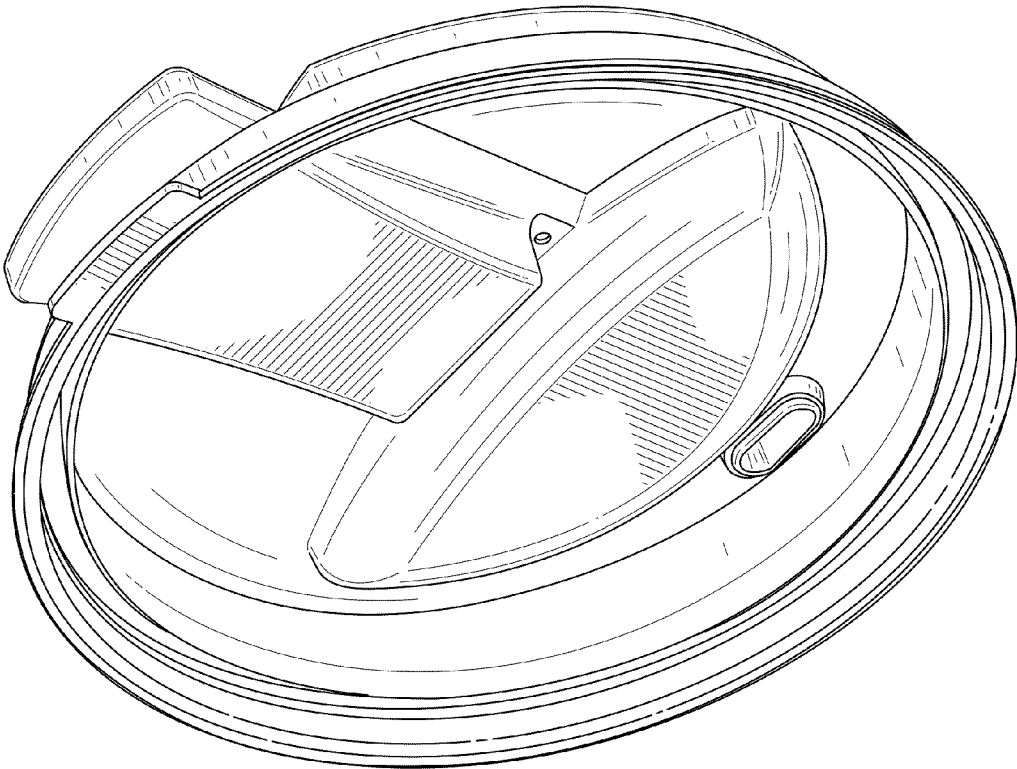
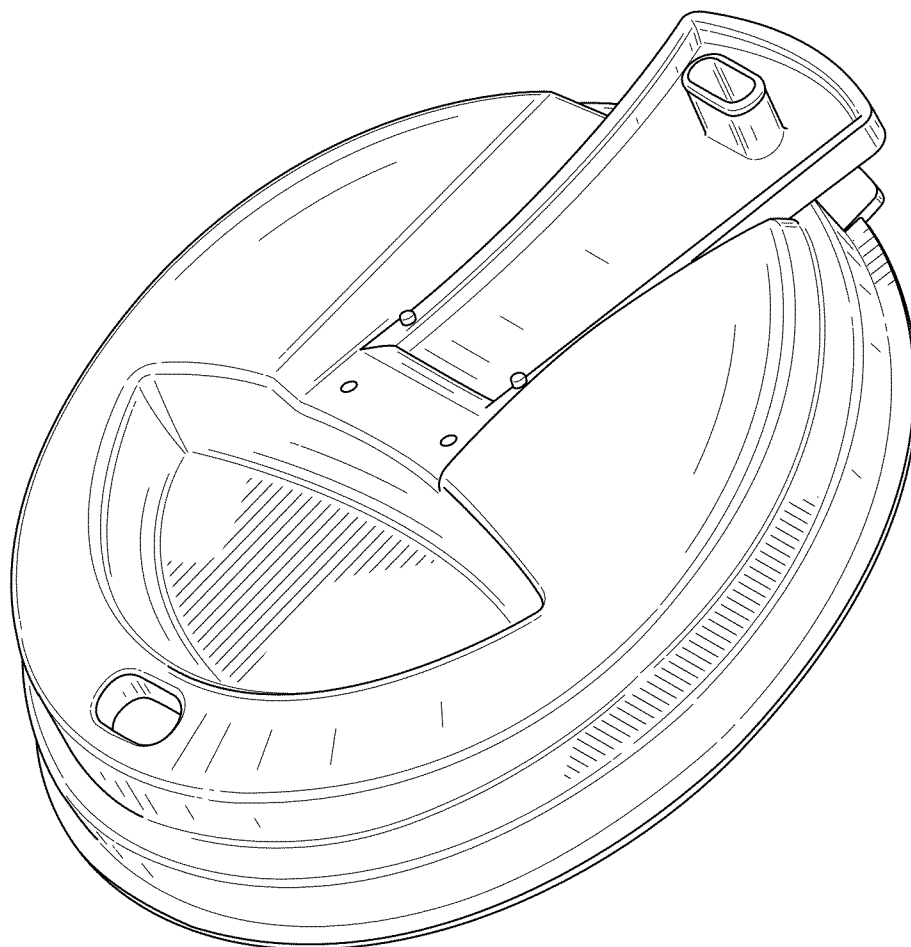


FIG. 12



**FIG. 13**

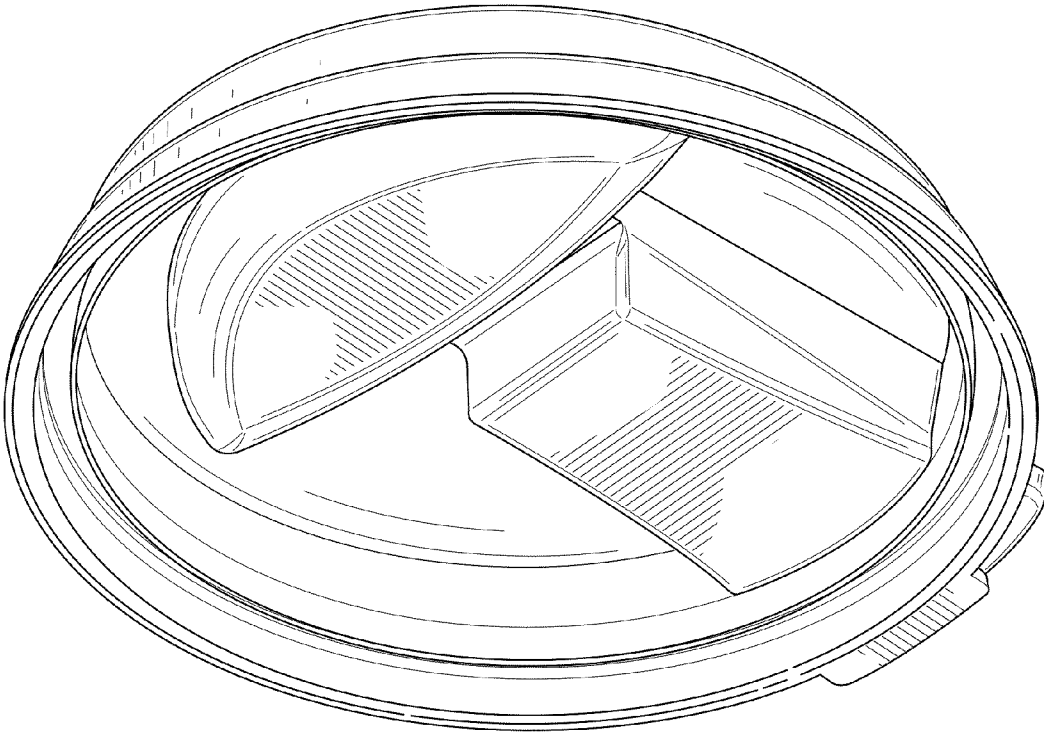


FIG. 14

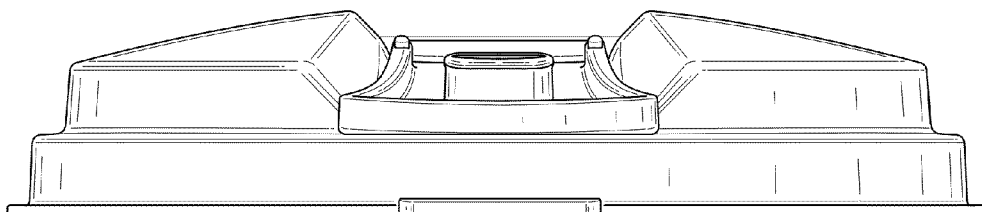


FIG. 15

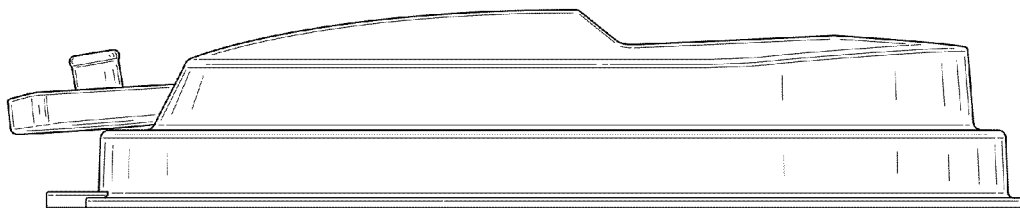


FIG. 16

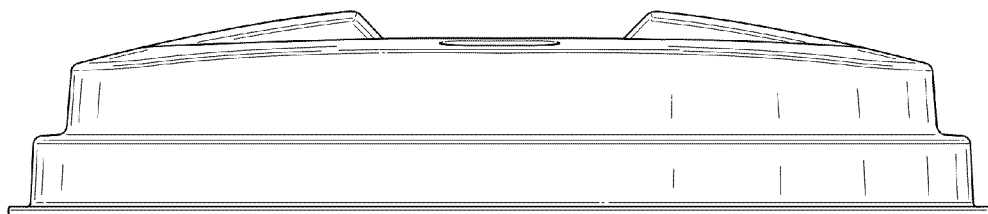


FIG. 17

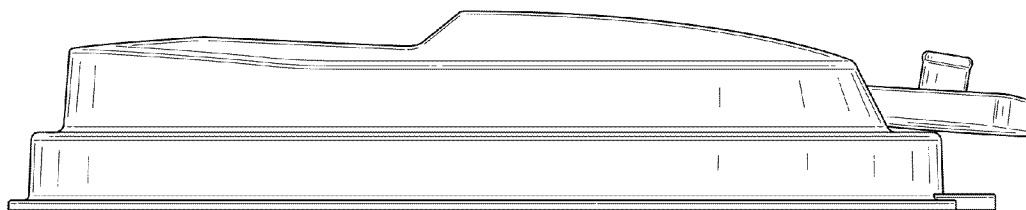


FIG. 18

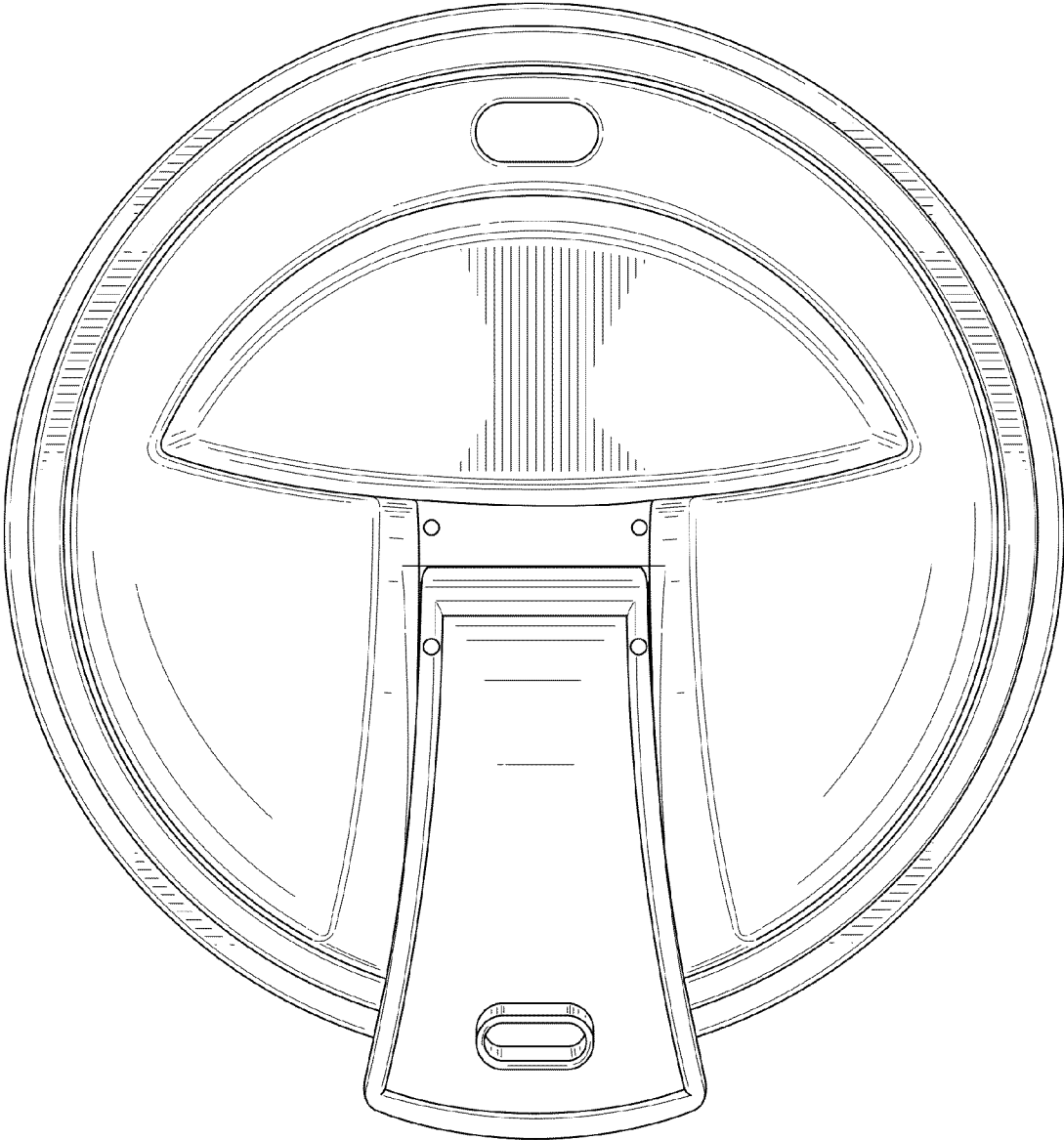


FIG. 19

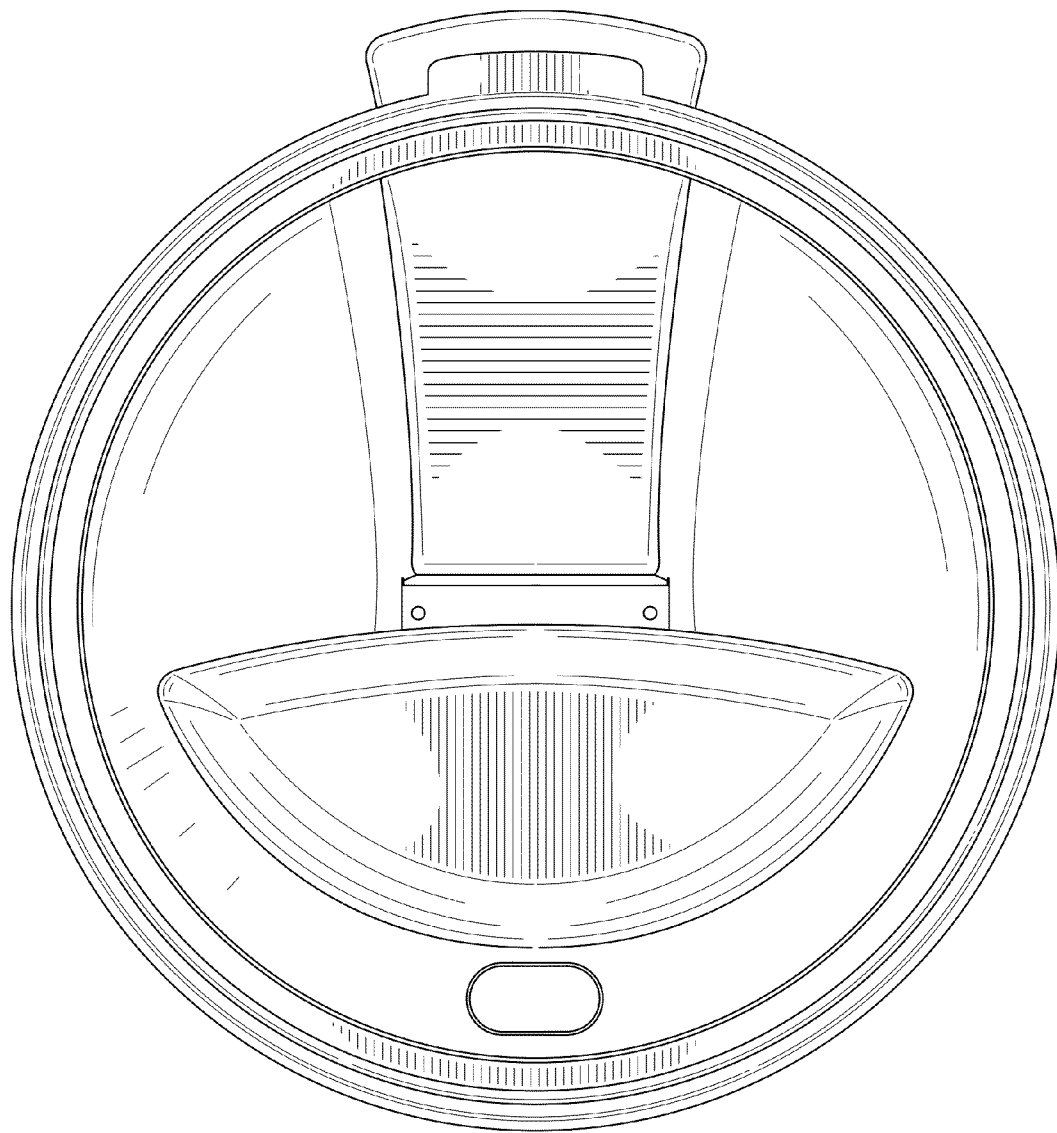


FIG. 20