

(19) World Intellectual Property Organization
International Bureau



(43) International Publication Date
22 November 2001 (22.11.2001)

PCT

(10) International Publication Number
WO 01/87101 A3

(51) International Patent Classification⁷: **A46B 7/10**, 15/00

(21) International Application Number: PCT/US01/15029

(22) International Filing Date: 10 May 2001 (10.05.2001)

(25) Filing Language: English

(26) Publication Language: English

(30) Priority Data:
09/573,576 18 May 2000 (18.05.2000) US

(63) Related by continuation (CON) or continuation-in-part (CIP) to earlier application:
US 09/573,576 (CON)
Filed on 18 May 2000 (18.05.2000)

(71) Applicant (for all designated States except US):
GILLETTE CANADA COMPANY [CA/CA]; 4 Robert Speck Parkway, Mississauga, Ontario L4Z 4C5 (CA).

(72) Inventors; and

(75) Inventors/Applicants (for US only): **CHENVAINU, Alexander, T.** [US/US]; 28 Winslow Road, Brookline,

MA 02446 (US). **CHRISTMAN, Thomas, A.** [US/US]; 5 Maple Street, Lexington, MA 02420 (US). **BIRLA, Amit** [US/US]; 150 Rumford Avenue #223, Mansfield, MA 02048 (US).

(74) Agents: **GALLOWAY, Peter, D.** et al.; Ladas & Parry, 26 West 61st Street, New York, NY 10023 (US).

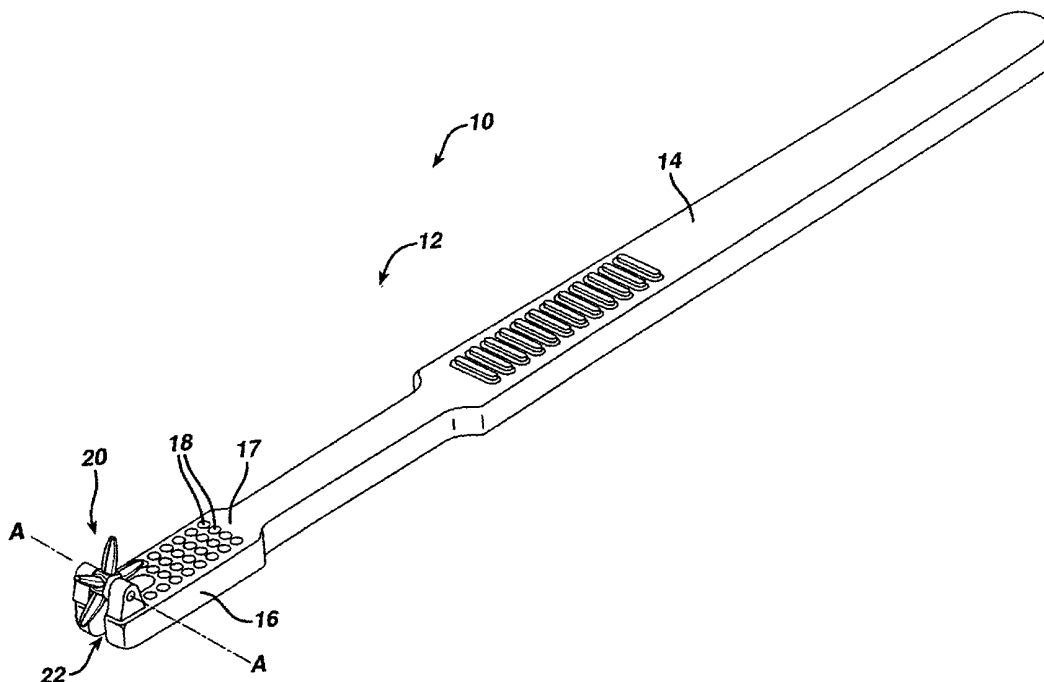
(81) Designated States (national): AE, AG, AL, AM, AT, AU, AZ, BA, BB, BG, BR, BY, BZ, CA, CH, CN, CO, CR, CU, CZ, DE, DK, DM, DZ, EC, EE, ES, FI, GB, GD, GE, GH, GM, HR, HU, ID, IL, IN, IS, JP, KE, KG, KP, KR, KZ, LC, LK, LR, LS, LT, LU, LV, MA, MD, MG, MK, MN, MW, MX, MZ, NO, NZ, PL, PT, RO, RU, SD, SE, SG, SI, SK, SL, TJ, TM, TR, TT, TZ, UA, UG, US, UZ, VN, YU, ZA, ZW.

(84) Designated States (regional): ARIPO patent (GH, GM, KE, LS, MW, MZ, SD, SL, SZ, TZ, UG, ZW), Eurasian patent (AM, AZ, BY, KG, KZ, MD, RU, TJ, TM), European patent (AT, BE, CH, CY, DE, DK, ES, FI, FR, GB, GR, IE, IT, LU, MC, NL, PT, SE, TR), OAPI patent (BF, BJ, CF, CG, CI, CM, GA, GN, GW, ML, MR, NE, SN, TD, TG).

Published:
— with international search report

[Continued on next page]

(54) Title: ORAL DEVICES



(57) Abstract: Oral devices are provided, including oral brushes that include bristle tufts and a rotatable member having radially extending protrusions constructed to wedge between a user's teeth and, among other things, cause compression of the papilla.



WO 01/87101 A3



(88) Date of publication of the international search report:
4 April 2002

For two-letter codes and other abbreviations, refer to the "Guidance Notes on Codes and Abbreviations" appearing at the beginning of each regular issue of the PCT Gazette.

INTERNATIONAL SEARCH REPORT

International Application No

PCT/US 01/15029

A. CLASSIFICATION OF SUBJECT MATTER
 IPC 7 A46B7/10 A46B15/00

According to International Patent Classification (IPC) or to both national classification and IPC

B. FIELDS SEARCHED

Minimum documentation searched (classification system followed by classification symbols)

IPC 7 A46B

Documentation searched other than minimum documentation to the extent that such documents are included in the fields searched

Electronic data base consulted during the international search (name of data base and, where practical, search terms used)

EPO-Internal, WPI Data, PAJ

C. DOCUMENTS CONSIDERED TO BE RELEVANT

Category °	Citation of document, with indication, where appropriate, of the relevant passages	Relevant to claim No.
Y	US 1 693 229 A (VICTOR FELMAR) 27 November 1928 (1928-11-27) the whole document ---	1-5, 20, 21, 25, 28, 37
Y	US 5 040 260 A (MICHAELS GEORGE G) 20 August 1991 (1991-08-20) the whole document ---	1-5, 20, 21, 25, 37
Y	GB 2 214 420 A (PAI TIEN FA; LAI MING KUN) 6 September 1989 (1989-09-06) the whole document ---	1, 28
A	BE 894 944 A (PAPAK ISTVAN ; SOMMERYNS GEORGES (BE)) 1 March 1983 (1983-03-01) the whole document ---	22-24, 26, 27
	-/--	

Further documents are listed in the continuation of box C.

Patent family members are listed in annex.

° Special categories of cited documents :

- *A* document defining the general state of the art which is not considered to be of particular relevance
- *E* earlier document but published on or after the international filing date
- *L* document which may throw doubts on priority claim(s) or which is cited to establish the publication date of another citation or other special reason (as specified)
- *O* document referring to an oral disclosure, use, exhibition or other means
- *P* document published prior to the international filing date but later than the priority date claimed

- *T* later document published after the international filing date or priority date and not in conflict with the application but cited to understand the principle or theory underlying the invention
- *X* document of particular relevance; the claimed invention cannot be considered novel or cannot be considered to involve an inventive step when the document is taken alone
- *Y* document of particular relevance; the claimed invention cannot be considered to involve an inventive step when the document is combined with one or more other such documents, such combination being obvious to a person skilled in the art.
- *&* document member of the same patent family

Date of the actual completion of the international search

11 December 2001

Date of mailing of the international search report

19/12/2001

Name and mailing address of the ISA

European Patent Office, P.B. 5818 Patentlaan 2
 NL - 2280 HV Rijswijk
 Tel. (+31-70) 340-2040, Tx. 31 651 epo nl,
 Fax: (+31-70) 340-3016

Authorized officer

Neiller, F

INTERNATIONAL SEARCH REPORT

International Application No

PCT/US 01/15029

C.(Continuation) DOCUMENTS CONSIDERED TO BE RELEVANT

Category °	Citation of document, with indication, where appropriate, of the relevant passages	Relevant to claim No.
A	FR 829 086 A (JOSEPH HENRY LOUIS EUGENE VICT) 10 June 1938 (1938-06-10) the whole document -----	1-39

INTERNATIONAL SEARCH REPORT

Information on patent family members

International Application No

PCT/US 01/15029

Patent document cited in search report		Publication date	Patent family member(s)	Publication date
US 1693229	A	27-11-1928	NONE	
US 5040260	A	20-08-1991	NONE	
GB 2214420	A	06-09-1989	DE 3743140 A1	29-06-1989
BE 894944	A	01-03-1983	BE 894944 A1	01-03-1983
FR 829086	A	10-06-1938	NONE	