



US00D408261S

**United States Patent** [19]  
**Gregory**

[11] **Patent Number:** **Des. 408,261**

[45] **Date of Patent:** **\*\*Apr. 20, 1999**

[54] **SECURITY PADLOCK WITH J-ROD**

[76] **Inventor:** **Edwin H. Gregory, 712 Arkansas Ave.,  
Mountain Home, Ark. 72653**

[\*\*] **Term:** **14 Years**

[21] **Appl. No.:** **29/079,885**

[22] **Filed:** **Nov. 25, 1997**

[51] **LOC (6) CL** ..... **08-07**

[52] **U.S. Cl.** ..... **D8/334**

[58] **Field of Search** ..... **D8/333-335; 70/14,  
70/20-22, 24-29, 31, 35, 38 R, 41-47**

[56] **References Cited**

**U.S. PATENT DOCUMENTS**

D. 341,940	12/1993	MacDonald	.....	D8/334
1,530,177	3/1925	Heyer	.....	70/35
1,902,665	3/1933	Reinhold	.....	70/35
3,908,415	9/1975	Foote	.....	70/14 X

*Primary Examiner*—Brian N. Vinson  
*Attorney, Agent, or Firm*—Head, Johnson & Kachigia

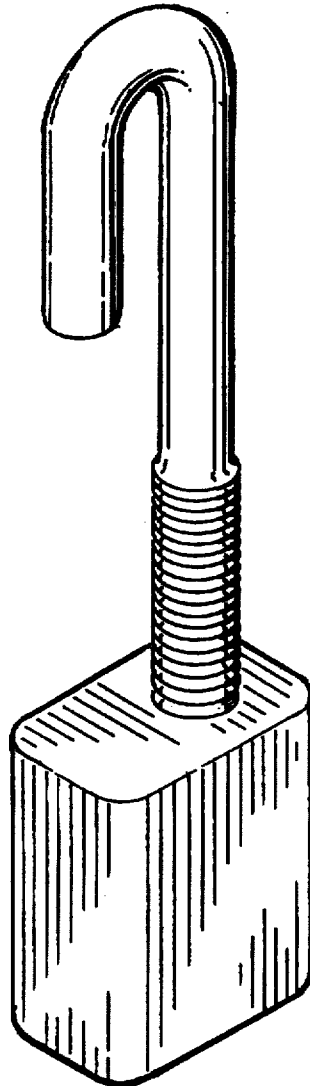
[57] **CLAIM**

The design for a security padlock with J-rod, as shown and described.

**DESCRIPTION**

FIG. 1 is a front elevational view of a preferred embodiment of my security padlock with J-rod;  
FIG. 2 is a rear evaluational view of the invention;  
FIG. 3 is a side elevational view of the invention taken generally from the right of FIG. 1;  
FIG. 4 is a side elevational view of the invention taken generally from the left of FIG. 1;  
FIG. 5 is a top plan view of the invention;  
FIG. 6 is a bottom plan view of the invention; and,  
FIG. 7 is a frontal isometric view of the invention.

**1 Claim, 2 Drawing Sheets**



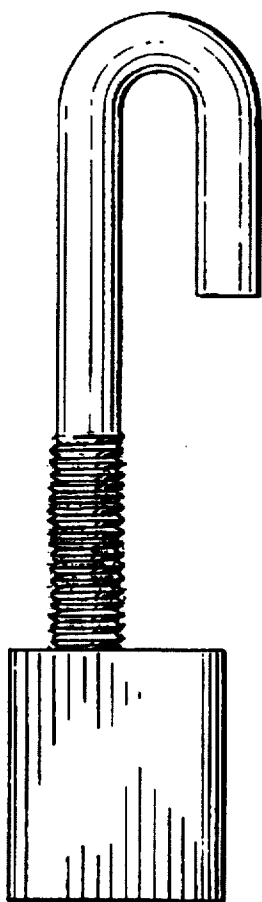


FIG. 1

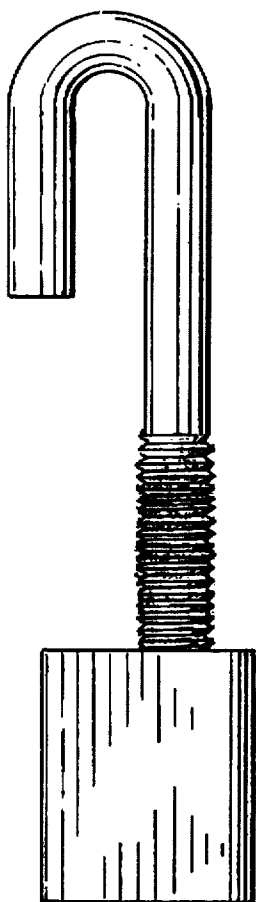


FIG. 2

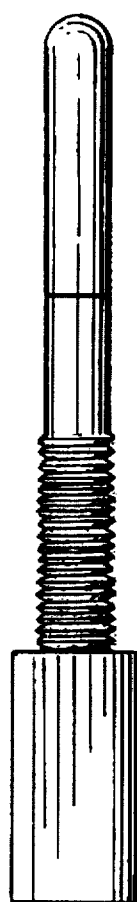


FIG. 3

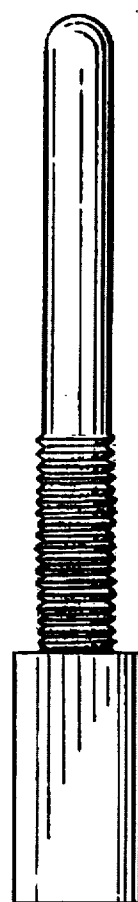


FIG. 4

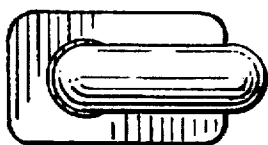


FIG. 5



FIG. 6

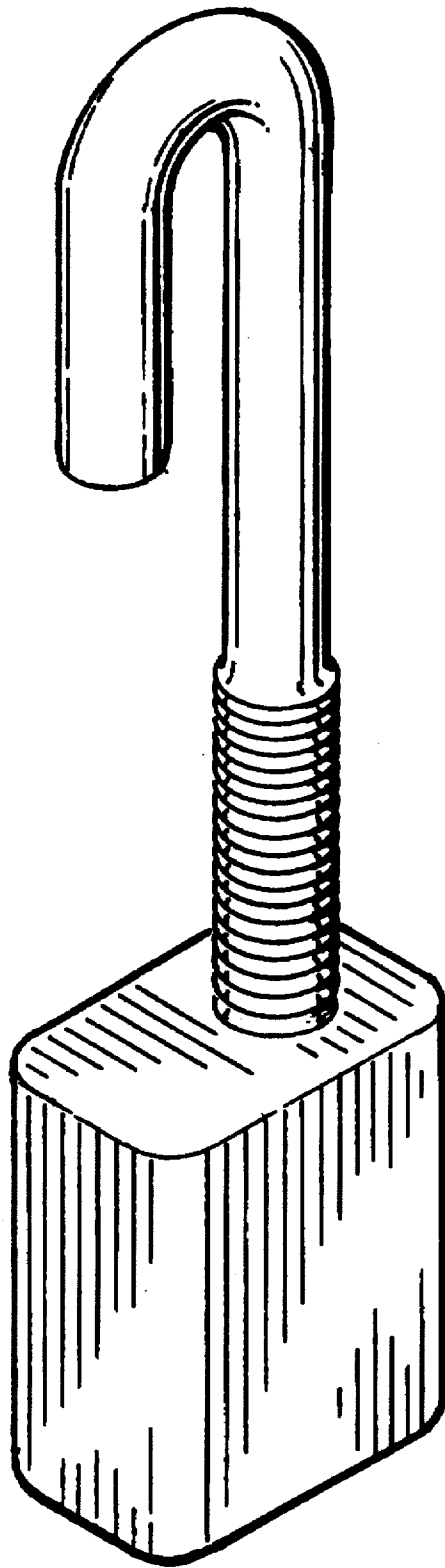


FIG. 7