



US00D510329S

(12) **United States Design Patent**  
**Vitito**

(10) **Patent No.:** **US D510,329 S**

(45) **Date of Patent:** **\*\* Oct. 4, 2005**

(54) **OVERHEAD ENTERTAINMENT CONSOLE**

(76) **Inventor:** **Christopher J. Vitito**, 514  
Longmeadow St., Celebration, FL (US)  
34747

(\*\*) **Term:** **14 Years**

(21) **Appl. No.:** **29/196,983**

(22) **Filed:** **Jan. 9, 2004**

(51) **LOC (8) Cl.** ..... **14-03**

(52) **U.S. Cl.** ..... **D14/132**

(58) **Field of Search** ..... D14/125-134,  
D14/239, 371, 374-376; 312/7.2; 348/836,  
838, 180, 184, 325, 739; 341/12; 248/917-924;  
345/104, 133, 156, 168, 87, 173; 353/74;  
340/700; D12/415-418, 345; D21/329,  
515

(56) **References Cited**

**U.S. PATENT DOCUMENTS**

5,775,762	A	*	7/1998	Vitito	
5,927,784	A	*	7/1999	Vitito	
5,946,055	A	*	8/1999	Rosen	348/837
D413,856	S	*	9/1999	Scribner	D12/418
6,059,255	A	*	5/2000	Rosen et al.	D14/132
6,129,459	A	*	10/2000	Kishimoto et al.	
6,199,810	B1	*	3/2001	Wu et al.	
6,256,837	B1	*	7/2001	Lan et al.	248/917
6,292,236	B1	*	9/2001	Rosen	
6,339,455	B1	*	1/2002	Allan et al.	
D453,325	S	*	2/2002	Okada et al.	D14/132
D454,121	S	*	3/2002	Lavelle et al.	D14/126
6,361,012	B1	*	3/2002	Chang	
6,364,390	B1	*	4/2002	Finneman	
D456,789	S	*	5/2002	Snyker	D14/132

6,409,242	B1	*	6/2002	Chang	
6,412,848	B1	*	7/2002	Ceccanese et al.	
D467,234	S	*	12/2002	Scribner	D14/132
D467,562	S	*	12/2002	Chang	D14/132
D470,828	S	*	2/2003	Solland	
6,633,347	B2	*	10/2003	Kitazawa	
6,695,376	B1	*	2/2004	Hirano	
6,711,003	B2	*	3/2004	Nakasuna	
2002/0149708	A1	*	10/2002	Nagata et al.	

**FOREIGN PATENT DOCUMENTS**

JP 0214908 \* 6/1990

\* cited by examiner

*Primary Examiner*—Raphael Barkai

(74) *Attorney, Agent, or Firm*—Welsh & Flaxman LLC

(57) **CLAIM**

The ornamental design for an overhead entertainment console, as shown and described.

**DESCRIPTION**

FIG. 1 is a front perspective view of an overhead entertainment console showing my new design with the monitor open.

FIG. 2 is a bottom plan view taken from a position beneath the overhead entertainment console.

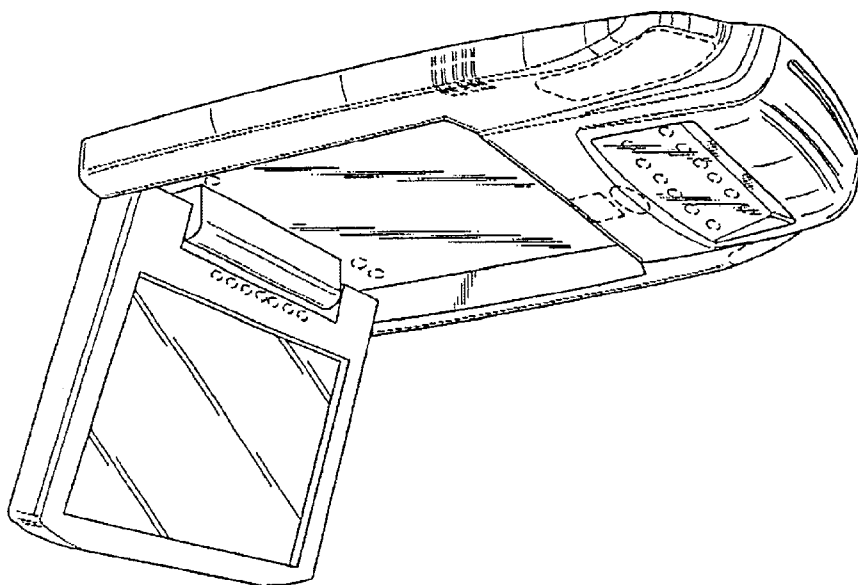
FIG. 3 is a forward plan view thereof.

FIG. 4 is a rear plan view thereof.

FIG. 5 is a side plan view thereof; the opposite side plan view being a mirror image; and,

FIG. 6 is a front perspective view with the monitor closed. The broken lines shown in FIGS. 1-6 are for illustrative purposes only and form no part of the claimed design.

**1 Claim, 3 Drawing Sheets**



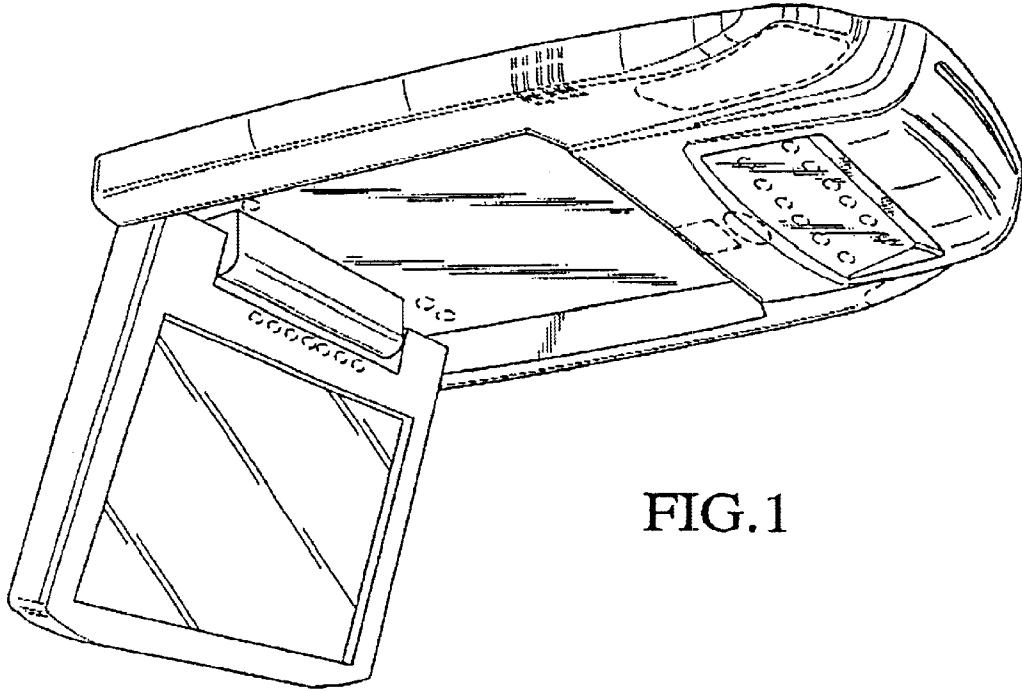


FIG. 1

FIG. 2

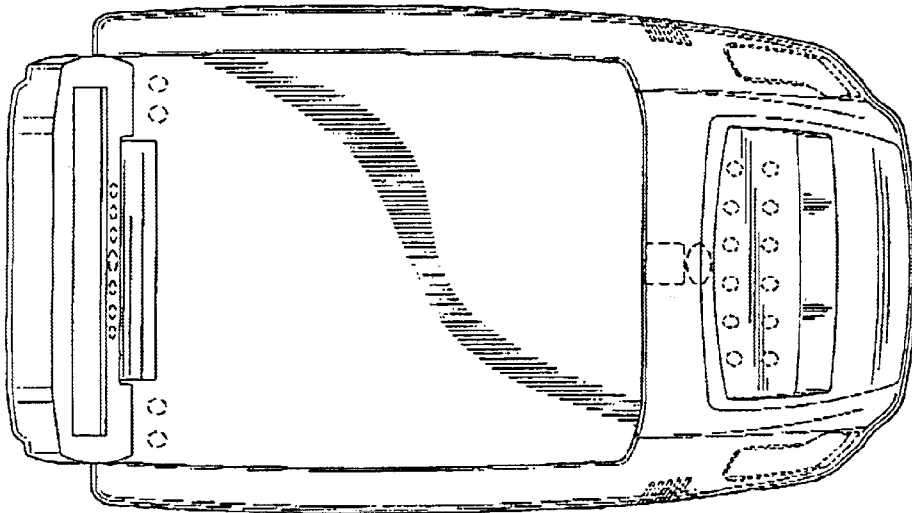


FIG.3

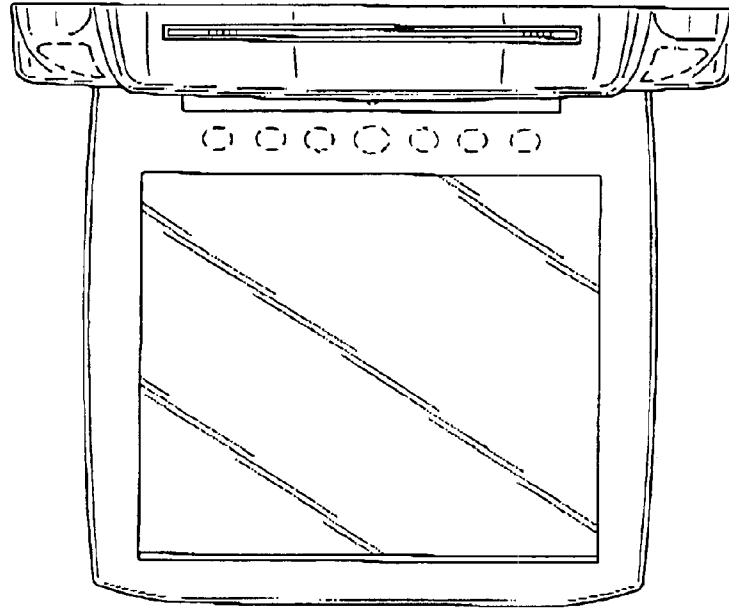


FIG.4

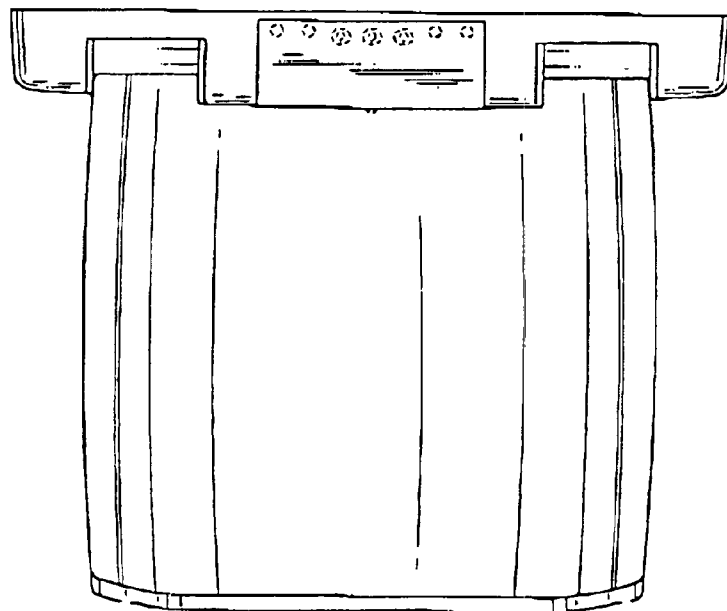


FIG.5

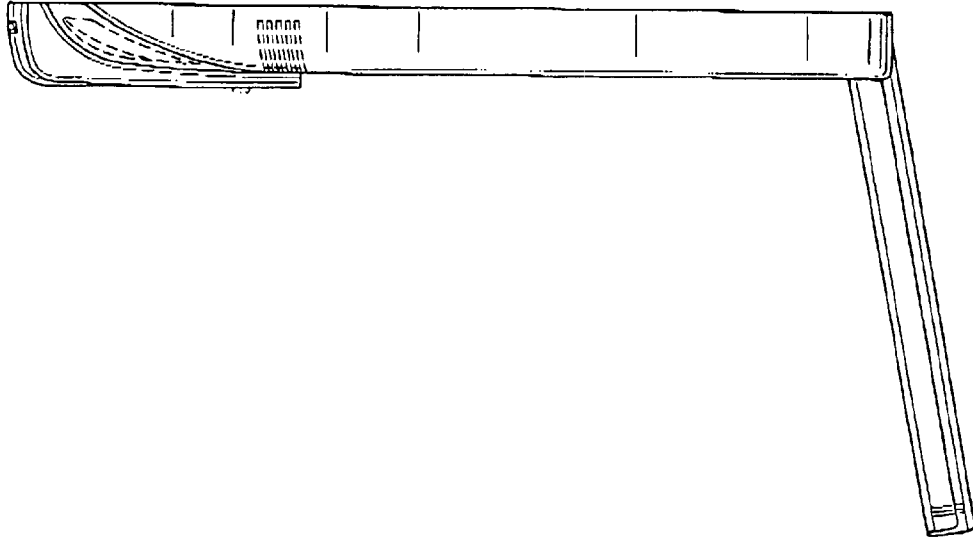


FIG.6

