



INTERNATIONAL APPLICATION PUBLISHED UNDER THE PATENT COOPERATION TREATY (PCT)

<p>(51) International Patent Classification ⁵ : A61F 13/02</p>	<p>A3</p>	<p>(11) International Publication Number: WO 94/21207 (43) International Publication Date: 29 September 1994 (29.09.94)</p>
---	-----------	--

(21) International Application Number: PCT/US94/01407
 (22) International Filing Date: 8 February 1994 (08.02.94)
 (30) Priority Data:
 08/034,306 22 March 1993 (22.03.93) US
 (71) Applicant: MINNESOTA MINING AND MANUFACTURING COMPANY [US/US]; 3M Center, P.O. Box 33427, Saint Paul, MN 55133-3427 (US).
 (72) Inventors: HEINECKE, Steven, B.; P.O. Box 33427, Saint Paul, MN 55133-3427 (US). PETERSON, Donald, G.; P.O. Box 33427, Saint Paul, MN 55133-3427 (US).
 (74) Agents: UBEL, F., Andrew et al.; Office of Intellectual Property Counsel, Minnesota Mining and Manufacturing Company, P.O. Box 33427, Saint Paul, MN 55133-3427 (US).

(81) Designated States: AT, AU, BB, BG, BR, BY, CA, CH, CN, CZ, DE, DK, ES, FI, GB, HU, JP, KP, KR, KZ, LK, LU, LV, MG, MN, MW, NL, NO, NZ, PL, PT, RO, RU, SD, SE, SK, UA, UZ, VN, European patent (AT, BE, CH, DE, DK, ES, FR, GB, GR, IE, IT, LU, MC, NL, PT, SE), OAPI patent (BF, BJ, CF, CG, CI, CM, GA, GN, ML, MR, NE, SN, TD, TG).

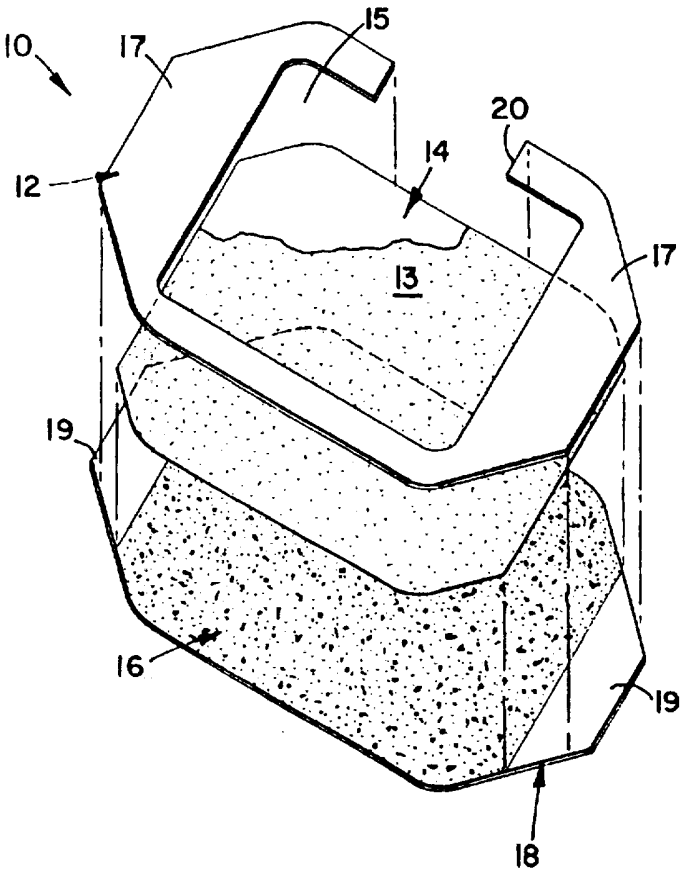
Published
 With international search report.
 Before the expiration of the time limit for amending the claims and to be republished in the event of the receipt of amendments.

(88) Date of publication of the international search report:
 2 February 1995 (02.02.95)

(54) Title: WINDOWLESS FRAME DELIVERED DRESSING AND METHOD OF MANUFACTURE

(57) Abstract

A windowless frame delivered dressing is disclosed which has a conformable backing with a pressure sensitive adhesive coated on a bottom face and a low adhesion coating on a top face. The backing is supported during shipping and handling by a liner attached to the adhesive and a removable heat sealed frame attached to the top face of the backing. The method according to the present invention discloses the steps of forming and removing windows in a carrier material and heat sealing the carrier to the backing to form the windowless frame delivered dressings of the present invention.



FOR THE PURPOSES OF INFORMATION ONLY

Codes used to identify States party to the PCT on the front pages of pamphlets publishing international applications under the PCT.

AT	Austria	GB	United Kingdom	MR	Mauritania
AU	Australia	GE	Georgia	MW	Malawi
BB	Barbados	GN	Guinea	NE	Niger
BE	Belgium	GR	Greece	NL	Netherlands
BF	Burkina Faso	HU	Hungary	NO	Norway
BG	Bulgaria	IE	Ireland	NZ	New Zealand
BJ	Benin	IT	Italy	PL	Poland
BR	Brazil	JP	Japan	PT	Portugal
BY	Belarus	KE	Kenya	RO	Romania
CA	Canada	KG	Kyrgyzstan	RU	Russian Federation
CF	Central African Republic	KP	Democratic People's Republic of Korea	SD	Sudan
CC	Congo	KR	Republic of Korea	SE	Sweden
CH	Switzerland	KZ	Kazakhstan	SI	Slovenia
CI	Côte d'Ivoire	LI	Liechtenstein	SK	Slovakia
CM	Cameroon	LK	Sri Lanka	SN	Senegal
CN	China	LU	Luxembourg	TD	Chad
CS	Czechoslovakia	LV	Latvia	TG	Togo
CZ	Czech Republic	MC	Monaco	TJ	Tajikistan
DE	Germany	MD	Republic of Moldova	TT	Trinidad and Tobago
DK	Denmark	MG	Madagascar	UA	Ukraine
ES	Spain	MH	Madagascar	US	United States of America
FI	Finland	ML	Mali	UZ	Uzbekistan
FR	France	MN	Mongolia	VN	Viet Nam
GA	Gabon				

INTERNATIONAL SEARCH REPORT

International Application No
PCT/US 94/01407

A. CLASSIFICATION OF SUBJECT MATTER
IPC 5 A61F13/02

According to International Patent Classification (IPC) or to both national classification and IPC

B. FIELDS SEARCHED

Minimum documentation searched (classification system followed by classification symbols)
IPC 5 A61F

Documentation searched other than minimum documentation to the extent that such documents are included in the fields searched

Electronic data base consulted during the international search (name of data base and, where practical, search terms used)

C. DOCUMENTS CONSIDERED TO BE RELEVANT

Category *	Citation of document, with indication, where appropriate, of the relevant passages	Relevant to claim No.
X	EP,A,0 090 564 (MINNESOTA MINING AND MANUFACTURING COMPANY) 5 October 1983	1,2, 5-10,25
Y	see the whole document ---	2,3
Y	US,A,5 106 383 (MULDER ET AL.) 21 April 1992 see abstract ---	2,3
X	EP,A,0 236 104 (COURTAULDS PLC) 9 September 1987	1,2, 5-10,25
A	see examples 1-2 ---	11-24
P,X	EP,A,0 541 251 (FERRIS MFG, CORP.) 12 May 1993	1,2, 5-10,25
A	see page 5, line 14 - line 37 ---	11,23
	-/--	

Further documents are listed in the continuation of box C.

Patent family members are listed in annex.

* Special categories of cited documents :

- "A" document defining the general state of the art which is not considered to be of particular relevance
- "E" earlier document but published on or after the international filing date
- "L" document which may throw doubts on priority claim(s) or which is cited to establish the publication date of another citation or other special reason (as specified)
- "O" document referring to an oral disclosure, use, exhibition or other means
- "P" document published prior to the international filing date but later than the priority date claimed

- "T" later document published after the international filing date or priority date and not in conflict with the application but cited to understand the principle or theory underlying the invention
- "X" document of particular relevance; the claimed invention cannot be considered novel or cannot be considered to involve an inventive step when the document is taken alone
- "Y" document of particular relevance; the claimed invention cannot be considered to involve an inventive step when the document is combined with one or more other such documents, such combination being obvious to a person skilled in the art.
- "&" document member of the same patent family

Date of the actual completion of the international search

Date of mailing of the international search report

14 December 1994

03.01.95

Name and mailing address of the ISA

European Patent Office, P.B. 5818 Patentlaan 2
NL - 2280 HV Rijswijk
Tel. (+ 31-70) 340-2040, Tx. 31 651 epo nl,
Fax (+ 31-70) 340-3016

Authorized officer

Argentini, A

INTERNATIONAL SEARCH REPORT

International Application No
PCT/US 94/01407

C.(Continuation) DOCUMENTS CONSIDERED TO BE RELEVANT

Category *	Citation of document, with indication, where appropriate, of the relevant passages	Relevant to claim No.
X	EP, A, 0 465 023 (HOLLISTER INC.) 8 January 1992 see the whole document -----	1, 2, 5-10, 25

INTERNATIONAL SEARCH REPORT

Information on patent family members

International Application No

PCT/US 94/01407

Patent document cited in search report	Publication date	Patent family member(s)	Publication date
EP-A-0090564	05-10-83	US-A- 4499896	19-02-85
		AU-B- 553597	24-07-86
		CA-A- 1193966	24-09-85
		JP-C- 1625184	18-11-91
		JP-B- 2052505	13-11-90
		JP-A- 58180152	21-10-83
-----	-----	-----	-----
US-A-5106383	21-04-92	NONE	
-----	-----	-----	-----
EP-A-0236104	09-09-87	NONE	
-----	-----	-----	-----
EP-A-0541251	12-05-93	AU-A- 2625192	06-05-93
		CA-A- 2081789	02-05-93
		JP-A- 5208032	20-08-93
-----	-----	-----	-----
EP-A-0465023	08-01-92	US-A- 5092323	03-03-92
		CA-A- 2045103	30-12-91
		JP-A- 4231955	20-08-92
-----	-----	-----	-----