



US00D667542S

(12) **United States Design Patent**
Kleiner

(10) **Patent No.:** **US D667,542 S**

(45) **Date of Patent:** **** Sep. 18, 2012**

- (54) **SPINAL DISTRACTION INSTRUMENT**
- (76) Inventor: **Jeffrey B. Kleiner**, Denver, CO (US)
- (**) Term: **14 Years**
- (21) Appl. No.: **29/415,847**
- (22) Filed: **Mar. 14, 2012**

5,037,422 A	8/1991	Hayhurst
5,053,038 A	10/1991	Sheehan
5,055,104 A	10/1991	Ray
5,058,823 A	10/1991	Emura et al.
5,282,744 A	2/1994	Meyer
5,290,295 A	3/1994	Querals et al.
5,311,640 A	5/1994	Holland
5,312,407 A	5/1994	Carter
5,312,417 A	5/1994	Wilk
5,324,307 A	6/1994	Jarrett et al.
5,329,834 A	7/1994	Wong
5,333,812 A	8/1994	Sato
5,354,292 A	10/1994	Braeuer et al.

Related U.S. Application Data

- (63) Continuation of application No. 29/393,737, filed on Jun. 8, 2011, now Pat. No. Des. 656,610, which is a continuation-in-part of application No. 12/367,487, filed on Feb. 6, 2009, now Pat. No. 8,088,163.

- (51) **LOC (9) Cl.** **24-02**
- (52) **U.S. Cl.** **D24/133**
- (58) **Field of Classification Search** **D24/133,**
D24/145, 146, 147; 606/246, 264, 279, 86 A,
606/86 R; 623/17.11

See application file for complete search history.

(56) **References Cited**

U.S. PATENT DOCUMENTS

3,697,011 A	10/1972	Christensen et al.
3,741,496 A	6/1973	Beller
3,836,092 A	9/1974	Hull
3,855,638 A	12/1974	Pilliar
4,039,156 A	8/1977	Abraham
4,041,939 A	8/1977	Hall
4,047,524 A	9/1977	Hall
4,206,516 A	6/1980	Pilliar
4,277,184 A	7/1981	Solomon
4,430,062 A	2/1984	Henrichsen et al.
4,462,402 A	7/1984	Burgio et al.
4,467,478 A	8/1984	Jurgutis
4,501,269 A	2/1985	Bagby
4,522,270 A	6/1985	Kishi
4,570,623 A	2/1986	Ellison et al.
4,580,978 A	4/1986	Motola et al.
4,592,346 A	6/1986	Jurgutis
4,743,256 A	5/1988	Brantigan
4,877,399 A	10/1989	Frank et al.
4,991,570 A	2/1991	Bullard

(Continued)

FOREIGN PATENT DOCUMENTS

- WO WO 99/08627 2/1999
- (Continued)

OTHER PUBLICATIONS

- U.S. Appl. No. 13/473,366, filed May 16, 2012, Kleiner.
- (Continued)

Primary Examiner — Bridget L Eland
(74) *Attorney, Agent, or Firm* — Sheridan Ross P.C.

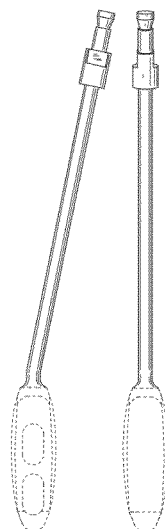
(57) **CLAIM**

The ornamental design for a spinal distraction instrument, as shown and described.

DESCRIPTION

FIG. 1 is a front perspective view of a spinal distraction instrument showing my new design; FIG. 2 is a rear perspective view thereof; FIG. 3 is a front elevation view thereof; FIG. 4 is a rear elevation view thereof; FIG. 5 is a right elevation view thereof; FIG. 6 is a left elevation view thereof; FIG. 7 is a top plan view thereof; and, FIG. 8 is a bottom plan view thereof.

1 Claim, 5 Drawing Sheets



US D667,542 S

Page 2

U.S. PATENT DOCUMENTS					
5,395,372 A	3/1995	Holt et al.	6,261,296 B1	7/2001	Aebi et al.
5,431,658 A	7/1995	Moskovich	6,290,724 B1	9/2001	Marino
D364,462 S	11/1995	Michelson	6,299,613 B1	10/2001	Ogilvie et al.
5,520,611 A	5/1996	Rao et al.	6,309,395 B1	10/2001	Smith et al.
5,527,312 A	6/1996	Ray	6,325,805 B1	12/2001	Ogilvie et al.
5,541,191 A	7/1996	Skotnicki et al.	6,328,738 B1	12/2001	Suddaby
5,549,607 A	8/1996	Olson et al.	6,336,928 B1	1/2002	Guerin et al.
5,558,674 A	9/1996	Heggeness et al.	6,364,880 B1	4/2002	Michelson
D374,283 S	10/1996	Michelson	6,375,635 B1	4/2002	Moutafis et al.
5,562,661 A	10/1996	Yoshimi et al.	6,387,096 B1	5/2002	Hyde, Jr.
5,569,246 A	10/1996	Ojima et al.	6,409,765 B1	6/2002	Bianchi et al.
5,586,989 A	12/1996	Bray	6,436,101 B1	8/2002	Hamada
5,595,563 A	1/1997	Moison	6,451,017 B1	9/2002	Moutafis et al.
5,601,557 A	2/1997	Hayhurst	6,454,806 B1	9/2002	Cohen et al.
D378,409 S	3/1997	Michelson	6,467,556 B2	10/2002	Alsrue
5,611,800 A	3/1997	Davis et al.	6,500,206 B1	12/2002	Bryan
5,634,925 A	6/1997	Urbanski	6,511,493 B1	1/2003	Moutafis et al.
5,653,763 A	8/1997	Errico et al.	6,520,976 B1	2/2003	Gage
5,662,655 A	9/1997	Laboureau et al.	6,524,318 B1	2/2003	Longhini et al.
5,665,122 A	9/1997	Kambin	6,565,574 B2	5/2003	Michelson
5,688,285 A	11/1997	Yamada	6,569,201 B2	5/2003	Moumene et al.
5,697,932 A	12/1997	Smith et al.	6,616,669 B2	9/2003	Ogilvie et al.
5,702,449 A	12/1997	McKay	6,620,356 B1	9/2003	Wong et al.
5,704,892 A	1/1998	Adair	6,641,613 B2	11/2003	Sennett
5,741,253 A	4/1998	Michelson	6,648,915 B2	11/2003	Sazy
5,762,629 A	6/1998	Kambin	6,652,533 B2	11/2003	O'Neil
5,779,642 A	7/1998	Nightengale	6,669,710 B2	12/2003	Moutafis et al.
5,782,919 A	7/1998	Zdeblick et al.	6,673,113 B2	1/2004	Ralph et al.
5,797,918 A	8/1998	McGuire et al.	6,679,887 B2	1/2004	Nicholson et al.
5,836,948 A	11/1998	Zucherman et al.	6,695,882 B2	2/2004	Bianchi et al.
5,836,958 A	11/1998	Ralph	6,699,288 B2	3/2004	Moret
5,860,977 A	1/1999	Zucherman et al.	6,709,438 B2	3/2004	Dixon et al.
5,865,746 A	2/1999	Murugesan et al.	6,719,760 B2	4/2004	Dorchak et al.
5,865,846 A	2/1999	Bryan et al.	6,719,795 B1	4/2004	Cornwall et al.
5,871,462 A	2/1999	Yoder et al.	6,730,125 B1	5/2004	Lin
5,888,228 A	3/1999	Knothe et al.	6,743,257 B2	6/2004	Castro
5,904,689 A	5/1999	Jonjic	6,764,491 B2	7/2004	Frey et al.
5,906,616 A	5/1999	Pavlov et al.	6,773,437 B2	8/2004	Ogilvie et al.
5,925,051 A	7/1999	Mikhail	6,800,093 B2	10/2004	Nicholson et al.
5,944,658 A	8/1999	Koros et al.	6,824,565 B2	11/2004	Muhanna et al.
5,944,686 A	8/1999	Patterson et al.	6,830,574 B2	12/2004	Heckele et al.
5,947,972 A	9/1999	Gage et al.	6,890,728 B2	5/2005	Dolecek et al.
5,976,146 A	11/1999	Ogawa et al.	6,899,712 B2	5/2005	Moutafis et al.
5,989,257 A	11/1999	Tidwell et al.	6,923,792 B2	8/2005	Staid et al.
5,997,895 A	12/1999	Narotam et al.	6,929,646 B2	8/2005	Gambale
6,004,191 A	12/1999	Schur et al.	6,942,665 B2	9/2005	Gambale
6,004,326 A	12/1999	Castro et al.	6,960,182 B2	11/2005	Moutafis et al.
6,013,028 A	1/2000	Jho et al.	6,962,592 B2	11/2005	Gattorna et al.
6,019,765 A	2/2000	Thornhill et al.	6,969,523 B1	11/2005	Mattern et al.
6,030,356 A	2/2000	Carlson et al.	6,974,480 B2	12/2005	Messerli et al.
6,030,388 A	2/2000	Yoshimi et al.	6,994,728 B2	2/2006	Zubok et al.
6,030,390 A	2/2000	Mehdizadeh	7,004,946 B2	2/2006	Parker et al.
6,030,401 A	2/2000	Marino	7,008,431 B2	3/2006	Simonson
6,033,408 A	3/2000	Gage et al.	7,014,640 B2	3/2006	Kemppainen et al.
6,033,438 A	3/2000	Bianchi et al.	7,025,742 B2	4/2006	Rubenstein et al.
6,045,555 A	4/2000	Smith et al.	7,025,769 B1	4/2006	Ferree
6,090,143 A	7/2000	Meriwether et al.	7,033,317 B2	4/2006	Pruitt
6,096,080 A	8/2000	Nicholson et al.	7,041,136 B2	5/2006	Goble et al.
6,113,602 A	9/2000	Sand	7,066,961 B2	6/2006	Michelson
6,120,503 A	9/2000	Michelson	7,077,864 B2	7/2006	Byrd, III et al.
6,136,001 A	10/2000	Michelson	7,094,257 B2	8/2006	Mujwid et al.
6,142,998 A	11/2000	Smith et al.	7,122,017 B2	10/2006	Moutafis et al.
6,146,420 A	11/2000	McKay	7,128,760 B2	10/2006	Michelson
6,149,096 A	11/2000	Hartley	7,135,043 B2	11/2006	Nakahara et al.
6,152,871 A	11/2000	Foley et al.	7,182,782 B2	2/2007	Kirschman
6,159,245 A	12/2000	Meriwether et al.	7,204,825 B2	4/2007	Cimino et al.
6,180,085 B1	1/2001	Achilefu	7,207,992 B2	4/2007	Ritland
6,209,886 B1	4/2001	Estes et al.	7,211,112 B2	5/2007	Baynham et al.
6,216,573 B1	4/2001	Moutafis et al.	7,214,186 B2	5/2007	Ritland
6,224,599 B1	5/2001	Baynham et al.	7,223,292 B2	5/2007	Messerli et al.
6,235,805 B1	5/2001	Chang et al.	7,232,463 B2	6/2007	Falahee
6,238,397 B1	5/2001	Zucherman et al.	7,238,203 B2	7/2007	Bagga et al.
6,241,733 B1	6/2001	Nicholson et al.	7,255,703 B2	8/2007	Mujwid et al.
6,241,769 B1	6/2001	Nicholson et al.	7,267,691 B2	9/2007	Keller et al.
6,245,108 B1	6/2001	Biscup	7,273,498 B2	9/2007	Bianchi et al.
6,258,094 B1	7/2001	Nicholson et al.	7,288,093 B2	10/2007	Michelson
6,261,293 B1	7/2001	Nicholson et al.	7,316,070 B2	1/2008	Green
6,261,295 B1	7/2001	Nicholson et al.	7,329,283 B2	2/2008	Estes et al.
			7,337,538 B2	3/2008	Moutafis et al.

US D667,542 S

7,341,590 B2	3/2008	Ferree	7,753,962 B2	7/2010	Melder
7,341,591 B2	3/2008	Grinberg	7,758,501 B2	7/2010	Frasier et al.
7,357,284 B2	4/2008	Jauvin	7,758,616 B2	7/2010	LeHuec et al.
7,357,804 B2	4/2008	Binder, Jr. et al.	7,758,617 B2	7/2010	Iott et al.
7,361,178 B2	4/2008	Hearn et al.	7,758,644 B2	7/2010	Trieu
7,364,657 B2	4/2008	Mandrusov et al.	7,758,648 B2	7/2010	Castleman et al.
7,371,239 B2	5/2008	Dec et al.	7,763,025 B2	7/2010	Assell et al.
7,377,923 B2	5/2008	Purcell et al.	7,763,035 B2	7/2010	Melkent et al.
7,387,643 B2	6/2008	Michelson	7,763,055 B2	7/2010	Foley
7,399,041 B2	7/2008	Prentner et al.	7,763,078 B2	7/2010	Peterman et al.
D574,495 S	8/2008	Petersen	7,763,080 B2	7/2010	Southworth
7,406,775 B2	8/2008	Funk et al.	D621,509 S	8/2010	Lovell
7,410,334 B2	8/2008	McGrew	D622,395 S	8/2010	Iott et al.
7,410,478 B2	8/2008	Yang	D622,843 S *	8/2010	Horton D24/133
7,413,065 B2	8/2008	Gauthier	D622,851 S	8/2010	Horton
7,421,772 B2	9/2008	Gao et al.	7,766,914 B2	8/2010	McCormack et al.
7,429,270 B2	9/2008	Baumgartner et al.	7,766,918 B2	8/2010	Allard et al.
7,430,945 B2	10/2008	Gauthier et al.	7,766,930 B2	8/2010	DiPoto et al.
7,431,711 B2	10/2008	Moutafis et al.	7,766,940 B2	8/2010	Kwak et al.
7,442,208 B2	10/2008	Mathieu et al.	7,766,967 B2	8/2010	Francis
7,455,157 B2	11/2008	Kimes et al.	7,766,969 B2	8/2010	Justin et al.
7,461,803 B2	12/2008	Boerner	7,769,422 B2	8/2010	DiSilvestro et al.
7,473,255 B2	1/2009	McGarity et al.	7,771,143 B2	8/2010	Bharadwaj et al.
7,476,226 B2	1/2009	Weikel et al.	7,771,475 B2	8/2010	Michelson
7,478,577 B1	1/2009	Wheeler	7,771,476 B2	8/2010	Justis et al.
7,481,766 B2	1/2009	Lee et al.	7,771,479 B2	8/2010	Humphreys et al.
7,481,813 B1	1/2009	Purcell	7,776,040 B2	8/2010	Markworth et al.
7,485,145 B2	2/2009	Purcell	7,776,046 B2	8/2010	Boyd et al.
D589,626 S	3/2009	Petersen	7,776,047 B2	8/2010	Fanger et al.
7,501,073 B2	3/2009	Wen et al.	7,776,049 B1	8/2010	Curran et al.
7,503,933 B2	3/2009	Michelson	7,776,075 B2	8/2010	Bruneau et al.
7,503,934 B2	3/2009	Eisermann et al.	7,776,090 B2	8/2010	Winslow et al.
7,503,936 B2	3/2009	Trieu	7,776,091 B2	8/2010	Mastrorio et al.
D590,943 S	4/2009	Petersen	7,776,094 B2	8/2010	McKinley et al.
D593,202 S	5/2009	Petersen	7,776,095 B2	8/2010	Peterman et al.
7,531,003 B2	5/2009	Reindel	7,776,594 B2	8/2010	Bays et al.
7,534,265 B1	5/2009	Boyd	7,780,707 B2	8/2010	Johnson et al.
7,534,270 B2	5/2009	Ball	7,794,396 B2	9/2010	Gattani et al.
7,553,320 B2	6/2009	Molz, IV et al.	7,794,501 B2	9/2010	Edie et al.
7,578,820 B2	8/2009	Moore et al.	7,799,034 B2	9/2010	Johnson et al.
7,582,058 B1	9/2009	Miles et al.	7,799,036 B2	9/2010	Davison et al.
7,582,107 B2	9/2009	Trail et al.	7,799,053 B2	9/2010	Haid et al.
7,595,043 B2	9/2009	Hedrick et al.	7,799,054 B2	9/2010	Kwak et al.
D603,502 S	11/2009	Petersen	7,799,055 B2	9/2010	Lim
7,618,423 B1	11/2009	Valentine et al.	7,799,056 B2	9/2010	Sankaran
7,625,374 B2	12/2009	Branch et al.	7,799,076 B2	9/2010	Sybert et al.
7,632,276 B2	12/2009	Fishbein	7,799,078 B2	9/2010	Embry et al.
7,655,027 B2	2/2010	Michelson	7,799,083 B2	9/2010	Smith et al.
7,658,766 B2	2/2010	Melkent et al.	7,806,901 B2	10/2010	Stad et al.
7,674,297 B2	3/2010	Falahee	7,811,327 B2	10/2010	Hansell et al.
7,677,418 B2	3/2010	Henniges et al.	7,811,329 B2	10/2010	Ankney et al.
7,686,805 B2	3/2010	Michelson	7,815,681 B2	10/2010	Ferguson
7,691,133 B2	4/2010	Partin et al.	7,819,801 B2	10/2010	Miles et al.
7,693,562 B2	4/2010	Marino et al.	D627,460 S	11/2010	Horton
7,708,761 B2	5/2010	Petersen	7,824,328 B2	11/2010	Gattani et al.
7,717,685 B2	5/2010	Moutafis et al.	7,824,332 B2	11/2010	Fakhrai
7,722,530 B2	5/2010	Davison	7,824,410 B2	11/2010	Simonson
7,722,613 B2	5/2010	Sutterlin et al.	7,828,804 B2	11/2010	Li et al.
7,728,868 B2	6/2010	Razzaque et al.	7,828,845 B2	11/2010	Estes et al.
7,730,563 B1	6/2010	Sklar et al.	7,828,849 B2	11/2010	Lim
7,734,327 B2	6/2010	Colquhoun	7,837,713 B2	11/2010	Petersen
7,740,634 B2	6/2010	Orbay et al.	7,837,732 B2	11/2010	Zucherman et al.
7,740,661 B2	6/2010	Baratz et al.	D629,896 S	12/2010	Horton
7,744,555 B2	6/2010	DiMauro et al.	7,846,210 B2	12/2010	Perez-Cruet et al.
7,744,637 B2	6/2010	Johnson et al.	7,850,733 B2	12/2010	Baynham et al.
7,744,973 B2	6/2010	Schoenle et al.	7,850,735 B2	12/2010	Eisermann et al.
7,749,231 B2	7/2010	Bonvallet et al.	7,850,736 B2	12/2010	Heinz et al.
7,749,253 B2	7/2010	Zucherman et al.	7,867,277 B1	1/2011	Tohmeh
7,749,269 B2	7/2010	Peterman et al.	7,905,840 B2	3/2011	Pimenta et al.
7,749,273 B2	7/2010	Cauthen et al.	7,918,891 B1	4/2011	Curran et al.
7,749,274 B2	7/2010	Razian	7,927,361 B2	4/2011	Oliver et al.
7,749,276 B2	7/2010	Fitz	7,935,124 B2	5/2011	Frey et al.
7,749,279 B2	7/2010	Twomey et al.	7,951,107 B2	5/2011	Staid et al.
7,749,555 B2	7/2010	Zanella	D642,268 S	7/2011	Qureshi
7,751,865 B2	7/2010	Jascob et al.	7,985,256 B2	7/2011	Grotz et al.
7,753,911 B2	7/2010	Ray et al.	8,088,163 B1	1/2012	Kleiner
7,753,914 B2	7/2010	Ruhling et al.	D656,610 S	3/2012	Kleiner
7,753,938 B2	7/2010	Aschmann et al.	2002/0049448 A1	4/2002	Sand et al.
7,753,940 B2	7/2010	Veldman et al.	2003/0083748 A1	5/2003	Lee et al.

US D667,542 S

Page 4

2003/0149482	A1	8/2003	Michelson	2009/0203967	A1	8/2009	Branch et al.
2004/0024466	A1	2/2004	Heerklotz et al.	2009/0204148	A1	8/2009	Lenke
2004/0087956	A1	5/2004	Weikel et al.	2009/0204159	A1	8/2009	Justis et al.
2004/0133217	A1	7/2004	Watschke	2009/0204220	A1	8/2009	Trieu
2004/0143330	A1	7/2004	Sazy	2009/0222011	A1	9/2009	Lehuc et al.
2004/0153158	A1	8/2004	Errico et al.	2009/0248163	A1	10/2009	King et al.
2004/0167532	A1	8/2004	Olson, Jr. et al.	2009/0259108	A1	10/2009	Miles et al.
2004/0176853	A1	9/2004	Sennett et al.	2009/0264892	A1	10/2009	Beyar et al.
2004/0215201	A1	10/2004	Liberman	2009/0275995	A1	11/2009	Truckai
2004/0230211	A1	11/2004	Moutafis et al.	2009/0299477	A1	12/2009	Clayton et al.
2005/0124993	A1	6/2005	Chappuis	2009/0306692	A1	12/2009	Barrington et al.
2005/0124994	A1	6/2005	Berger et al.	2010/0010367	A1	1/2010	Foley et al.
2005/0149035	A1	7/2005	Pimenta et al.	2010/0010524	A1	1/2010	Barrington et al.
2005/0149192	A1	7/2005	Zucherman et al.	2010/0016903	A1	1/2010	Mativityahu et al.
2005/0159765	A1	7/2005	Moutafis et al.	2010/0016972	A1	1/2010	Jansen et al.
2005/0165405	A1	7/2005	Tsou	2010/0016973	A1	1/2010	de Villiers et al.
2005/0216002	A1	9/2005	Simonson	2010/0030065	A1	2/2010	Farr et al.
2005/0216018	A1	9/2005	Sennett	2010/0036226	A9	2/2010	Marino et al.
2005/0251257	A1	11/2005	Mitchell et al.	2010/0036442	A1	2/2010	Laurysen et al.
2005/0283150	A1	12/2005	Moutafis et al.	2010/0042221	A1	2/2010	Boyd
2006/0004167	A1	1/2006	Tau et al.	2010/0057208	A1	3/2010	Dryer
2006/0004367	A1	1/2006	Alamin et al.	2010/0063516	A1	3/2010	Parmer et al.
2006/0100304	A1	5/2006	Vresilovic et al.	2010/0063554	A1	3/2010	Branch et al.
2006/0111779	A1	5/2006	Petersen	2010/0076335	A1	3/2010	Gharib et al.
2006/0111780	A1	5/2006	Petersen	2010/0076445	A1	3/2010	Pagano
2006/0122597	A1	6/2006	Jones et al.	2010/0076446	A1	3/2010	Gorek
2006/0155170	A1	7/2006	Hanson et al.	2010/0082036	A1	4/2010	Reiley et al.
2006/0167461	A1	7/2006	Hawkins et al.	2010/0087828	A1	4/2010	Krueger et al.
2006/0190081	A1	8/2006	Kraus	2010/0087875	A1	4/2010	McGahan et al.
2006/0229550	A1	10/2006	Staid et al.	2010/0100141	A1	4/2010	de Villiers et al.
2006/0247650	A1	11/2006	Yerby et al.	2010/0105986	A1	4/2010	Miles et al.
2006/0264808	A1	11/2006	Staid et al.	2010/0105987	A1	4/2010	Miles et al.
2006/0264964	A1	11/2006	Scifert et al.	2010/0121365	A1	5/2010	O'Sullivan et al.
2007/0003598	A1	1/2007	Trieu	2010/0121453	A1	5/2010	Peterman
2007/0043442	A1	2/2007	Abernathie	2010/0125333	A1	5/2010	Zdeblick et al.
2007/0067034	A1	3/2007	Chirico et al.	2010/0125338	A1	5/2010	Fitz
2007/0073110	A1	3/2007	Larson et al.	2010/0131020	A1	5/2010	Heinz et al.
2007/0073294	A1	3/2007	Chin et al.	2010/0137690	A1	6/2010	Miles et al.
2007/0088007	A1	4/2007	Ng	2010/0137923	A1	6/2010	Greenhalgh et al.
2007/0172790	A1	7/2007	Doucette, Jr. et al.	2010/0145390	A1	6/2010	McCarthy et al.
2007/0185496	A1	8/2007	Beckman et al.	2010/0145391	A1	6/2010	Kleiner
2007/0208423	A1	9/2007	Messerli et al.	2010/0145452	A1	6/2010	Blaylock et al.
2007/0213596	A1	9/2007	Hamada	2010/0145461	A1	6/2010	Landry et al.
2007/0213717	A1	9/2007	Trieu	2010/0160923	A1	6/2010	Sand et al.
2007/0213718	A1	9/2007	Trieu	2010/0160982	A1	6/2010	Justis et al.
2007/0213822	A1	9/2007	Trieu	2010/0161062	A1	6/2010	Foley et al.
2007/0242869	A1	10/2007	Luo et al.	2010/0161074	A1	6/2010	McKay
2007/0250166	A1	10/2007	McKay	2010/0168755	A1	7/2010	Reiley et al.
2007/0270951	A1	11/2007	Davis et al.	2010/0168862	A1	7/2010	Edie et al.
2007/0276406	A1	11/2007	Mahoney et al.	2010/0174326	A1	7/2010	Selover et al.
2007/0288007	A1	12/2007	Burkus et al.	2010/0185286	A1	7/2010	Allard
2008/0003255	A1	1/2008	Kerr et al.	2010/0185287	A1	7/2010	Allard
2008/0009929	A1	1/2008	Harris et al.	2010/0185288	A1	7/2010	Carls
2008/0033440	A1	2/2008	Moskowitz et al.	2010/0191334	A1	7/2010	Keller
2008/0058606	A1	3/2008	Miles et al.	2010/0191337	A1	7/2010	Zamani et al.
2008/0147191	A1	6/2008	Lopez et al.	2010/0198140	A1	8/2010	Lawson
2008/0154375	A1	6/2008	Serhan et al.	2010/0199483	A1	8/2010	Justis et al.
2008/0154377	A1	6/2008	Voellmicke	2010/0204798	A1	8/2010	Gerbec et al.
2008/0195058	A1	8/2008	Moutafis et al.	2010/0217398	A1	8/2010	Keller
2008/0249569	A1	10/2008	Waugh et al.	2010/0222784	A1	9/2010	Schwab et al.
2008/0255564	A1	10/2008	Michelson	2010/0222824	A1	9/2010	Simonson
2008/0269904	A1	10/2008	Voorhies	2010/0228294	A1	9/2010	LeHuc et al.
2008/0288071	A1	11/2008	Biyani et al.	2010/0228351	A1	9/2010	Ankney et al.
2009/0043312	A1	2/2009	Koulisis	2010/0234848	A1	9/2010	Sutterlin et al.
2009/0076440	A1	3/2009	Moutafis et al.	2010/0234957	A1	9/2010	Zdeblick et al.
2009/0076556	A1	3/2009	McGarity et al.	2010/0256767	A1	10/2010	Melkent
2009/0088765	A1	4/2009	Butler et al.	2010/0256768	A1	10/2010	Lim et al.
2009/0098184	A1	4/2009	Govil et al.	2010/0262241	A1	10/2010	Eisermann et al.
2009/0124860	A1	5/2009	Miles et al.	2010/0262245	A1	10/2010	Alfaro et al.
2009/0124980	A1	5/2009	Chen	2010/0286778	A1	11/2010	Eisermann et al.
2009/0125066	A1	5/2009	Kraus et al.	2010/0286784	A1	11/2010	Curran et al.
2009/0187194	A1	7/2009	Hamada	2010/0298938	A1	11/2010	Humphreys et al.
2009/0192350	A1	7/2009	Mejia	2010/0312103	A1	12/2010	Gorek et al.
2009/0192403	A1	7/2009	Gharib et al.	2010/0312290	A1	12/2010	McKinley et al.
2009/0198245	A1	8/2009	Phan	2010/0312347	A1	12/2010	Arramon et al.
2009/0198249	A1	8/2009	Ziegler	2011/0015748	A1	1/2011	Molz, IV
2009/0198337	A1	8/2009	Phan	2011/0071536	A1	3/2011	Kleiner
2009/0198338	A1	8/2009	Phan	2011/0093005	A1	4/2011	Strokosz et al.
2009/0198339	A1	8/2009	Kleiner et al.				

2011/0144755 A1 6/2011 Baynham et al.
 2012/0035668 A1* 2/2012 Manninen et al. 606/305
 2012/0059477 A1 3/2012 Kleiner

FOREIGN PATENT DOCUMENTS

WO WO 2005/037149 4/2005

OTHER PUBLICATIONS

Ray, C., "Facet Joint Disorders and Back Pain," published on Spine-Health, Dec. 10, 2002, available at www.spine-health.com/conditions/arthritis/facet-joint-disorders-and-back-pain, 1 page.
 Staehler, R., "Spine Surgery for a Cervical Herniated Disc," published on Spine-Health, Jun. 12, 2002, available at www.spine-health.com/conditions/herniated-disc/spine-surgery-a-cervical-herniated-disc, 2 pages.
 Staehler, R., "Summary of Cervical Herniated Disc Treatment Options," published on Spine-Health, Jun. 12, 2002, available at www.spine-health.com/conditions/herniated-disc/summary-cervical-herniated-disc-treatment-options, 1 page.
 Ullrich, P.F., "Anterior Cervical Spinal Fusion Surgery," published on Spine-Health, Oct. 7, 2005, available at www.spine-health.com/treatment/back-surgery/anterior-cervical-spinal-fusion-surgery, 2 pages.
 Ullrich, P.F., "Cervical Spinal Instrumentation," published on Spine-Health, Oct. 7, 2005, available at www.spine-health.com/treatment/back-surgery/cervical-spinal-instrumentation, 2 pages.
 Wascher, T.M., "Anterior cervical decompression and spine fusion procedure," published on Spine-Health, Aug. 29, 2001, available at www.spine-health.com/treatment/spinal-fusion/anterior-cervical-decompression-and-spine-fusion-procedure, 2 pages.
 "BAK® /Proximity™ (BP®) Cage", Zimmer Website, as early as Oct. 23, 2007, available at <http://www.zimmer.com/z/ctl/op/global/action/1/id/7930/template/MP/prcat/M6/prod/y>, printed on Jun. 8, 2009, 1 page.

"BAK® Vista® Radiolucent Interbody Fusion System", Zimmer Website, as early as Oct. 25, 2005, available at <http://www.zimmerindia.com/z/ctl/op/global/action/1/id/7809/template/MP/prcat/M6/prod/y>, printed on Jun. 8, 2009, pp. 1-2.
 "Facet Joint Syndrome," The Cleveland Clinic Foundation, copyright 1995-2008, printed Nov. 19, 2008, available at http://my.clevelandclinic.org/disorders/facet_joint_syndrome/hic_facet_joint_syndrome.aspx, 2 pages.
 "Screws, Cages or Both", Spine Universe Website, as early as Aug. 18, 2002, available at <http://www.spineuniverse.com/displayarticle.php/article1363.html>, printed on Jun. 8, 2009, pp. 1-13.
 "University of Maryland Spine Program: A Patient's Guide to Anterior Lumbar Interbody Fusion with Intervertebral Cages", University of Maryland Medical Center website, as early as 2003, available at http://www.umm.edu/spinecenter/education/anterior_lumbar_interbody_fusion_with_intervertebral_cages.htm, printed on Jun. 8, 2009, pp. 1-4.
 "Vertebral column," from Wikipedia, the free encyclopedia, printed May 19, 2009, retrieved from http://en.wikipedia.org/wiki/Vertebral_column, 6 pages.
 "Zygapophysial joint," from Wikipedia, the free encyclopedia, printed May 19, 2009, retrieved from http://en.wikipedia.org/wiki/Zygapophysial_joint, 2 pages.
 International Search Report for International (PCT) Patent Application No. PCT/US2009/033488, mailed. Mar. 25, 2009, 2 pages.
 Written Opinion for International (PCT) Patent Application No. PCT/US2009/033488, mailed. Mar. 25, 2009, 9 pages.
 Official Action for U.S. Appl. No. 12/367,487, mailed Aug. 3, 2011 10 pages.
 Notice of Allowance for U.S. Appl. No. 29/393,737, mailed Jan. 11, 2012 9 pages.

* cited by examiner

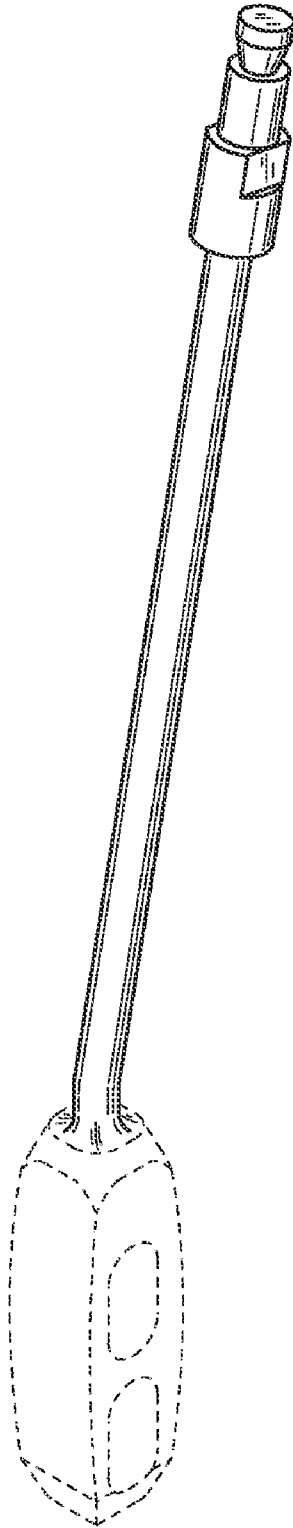


FIG. 1

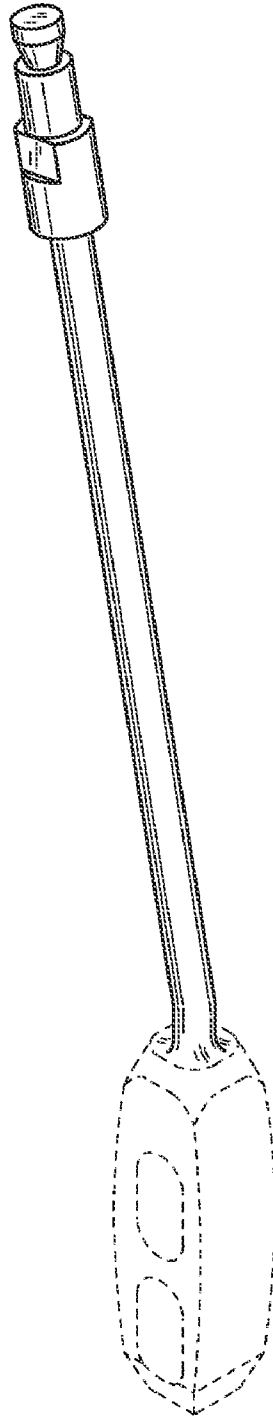


FIG.2

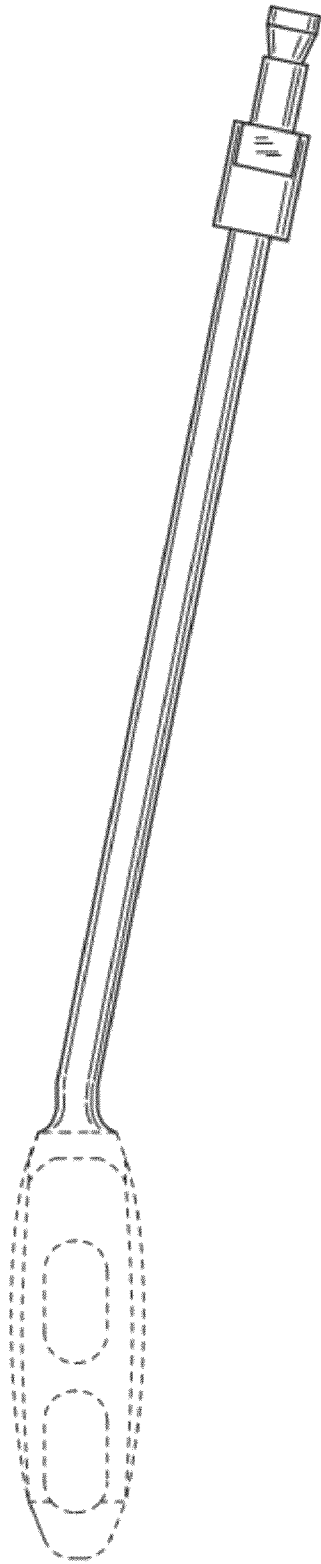


FIG.3

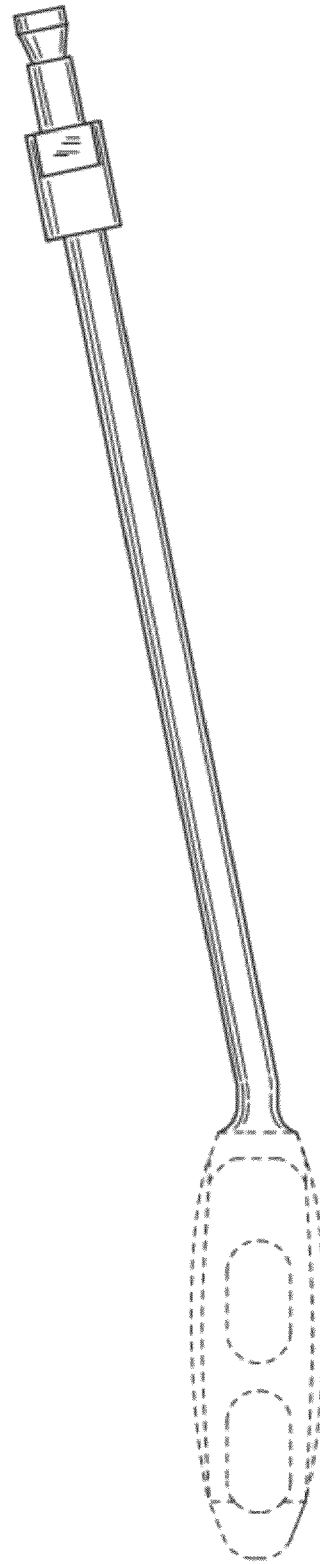


FIG.4

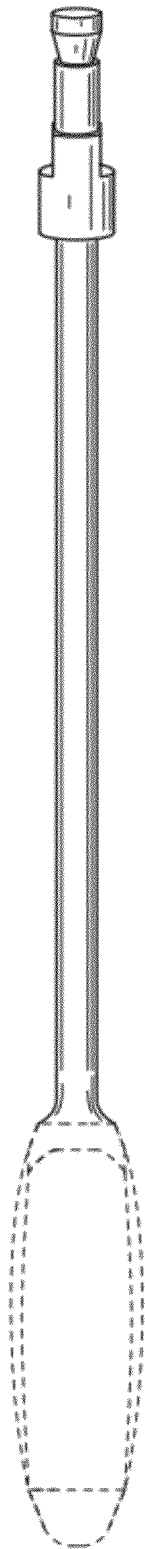


FIG. 5

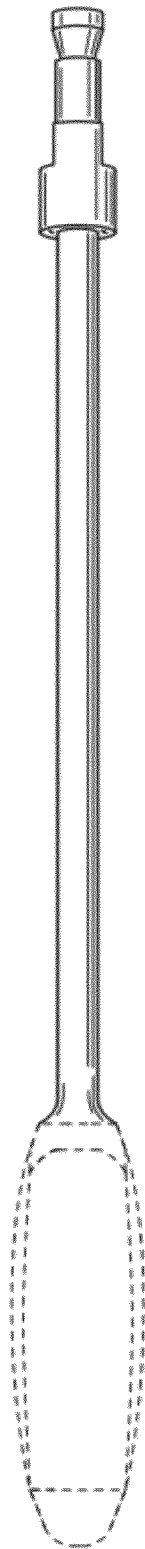


FIG. 6

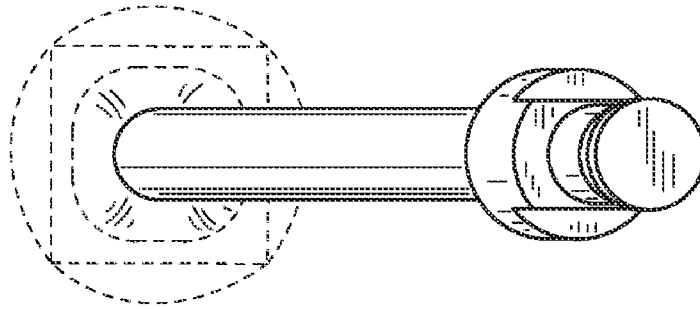


FIG. 7

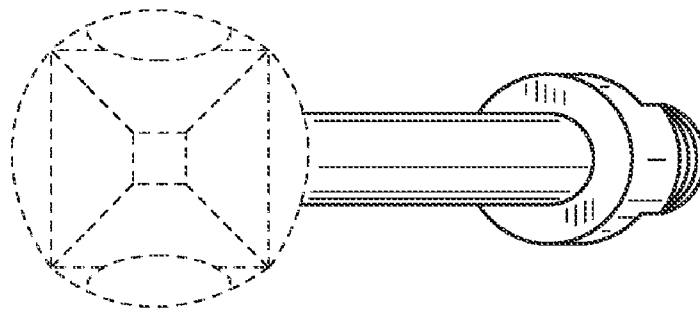


FIG. 8