

(19) World Intellectual Property Organization  
International Bureau



(43) International Publication Date  
9 June 2011 (09.06.2011)

(10) International Publication Number  
**WO 2011/068892 A2**

- (51) **International Patent Classification:**  
*B65D 37/00* (2006.01)      *A45F 3/20* (2006.01)  
*B65D 83/00* (2006.01)      *A45D 34/00* (2006.01)
- (21) **International Application Number:**  
PCT/US2010/058586
- (22) **International Filing Date:**  
1 December 2010 (01.12.2010)
- (25) **Filing Language:** English
- (26) **Publication Language:** English
- (30) **Priority Data:**  
61/265,710    1 December 2009 (01.12.2009)    US
- (72) **Inventor; and**
- (71) **Applicant :** PASCATORE, Amanda [US/US]; 217 Kingsboro Road, Rochester, New York 14619 (US).
- (74) **Agent:** GONSALVES, Andrew; Heslin Rothenberg Farley & Mesiti P.C., 5 Columbia Circle, Albany, New York 12203 (US).
- (81) **Designated States** (*unless otherwise indicated, for every kind of national protection available*): AE, AG, AL, AM, AO, AT, AU, AZ, BA, BB, BG, BH, BR, BW, BY, BZ, CA, CH, CL, CN, CO, CR, CU, CZ, DE, DK, DM, DO, DZ, EC, EE, EG, ES, FI, GB, GD, GE, GH, GM, GT, HN, HR, HU, ID, IL, IN, IS, JP, KE, KG, KM, KN, KP, KR, KZ, LA, LC, LK, LR, LS, LT, LU, LY, MA, MD, ME, MG, MK, MN, MW, MX, MY, MZ, NA, NG, NI, NO, NZ, OM, PE, PG, PH, PL, PT, RO, RS, RU, SC, SD, SE, SG, SK, SL, SM, ST, SV, SY, TH, TJ, TM, TN, TR, TT, TZ, UA, UG, US, UZ, VC, VN, ZA, ZM, ZW.
- (84) **Designated States** (*unless otherwise indicated, for every kind of regional protection available*): ARIPO (BW, GH, GM, KE, LR, LS, MW, MZ, NA, SD, SL, SZ, TZ, UG, ZM, ZW), Eurasian (AM, AZ, BY, KG, KZ, MD, RU, TJ, TM), European (AL, AT, BE, BG, CH, CY, CZ, DE, DK, EE, ES, FI, FR, GB, GR, HR, HU, IE, IS, IT, LT, LU, LV, MC, MK, MT, NL, NO, PL, PT, RO, RS, SE, SI, SK, SM, TR), OAPI (BF, BJ, CF, CG, CI, CM, GA, GN, GQ, GW, ML, MR, NE, SN, TD, TG).

[Continued on next page]

(54) **Title:** DEVICE FOR STORING AND DISPENSING FLUIDS

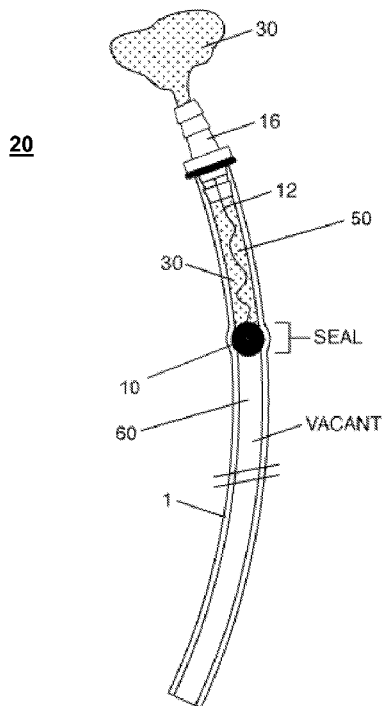


FIG. 4

(57) **Abstract:** The present invention relates a device for storing and dispensing a fluid. The device includes an elongated container, an outlet component, and a movable dispensing component. The present invention also relates to a kit that includes the device of the present invention and a filling attachment for refilling the device with a fluid. The present invention also relates to a kit that includes a compilation of component parts comprising the elongated container, the outlet component, and the movable dispensing component of the device of the present invention. The kit can further include a filament for directly or indirectly anchoring the movable dispensing component to the elongated container. The kit can also include a filling attachment comprising an attachment end and an adapter end. The present invention further relates to a method for storing a fluid, a method for dispensing a fluid, and a method for storing, dispensing, and refilling a fluid.



WO 2011/068892 A2

**Published:**

- *without international search report and to be republished upon receipt of that report (Rule 48.2(g))*

## DEVICE FOR STORING AND DISPENSING FLUIDS

### CROSS-REFERENCE TO RELATED APPLICATIONS

[0001] This application claims priority benefit of U.S. Provisional Patent Application  
5 Serial No. 61/265,710, filed December 1, 2009, which is hereby incorporated by reference  
herein in its entirety.

### FIELD OF THE INVENTION

[0002] The present invention relates to a device for storing and dispensing fluids.  
10

### BACKGROUND OF THE INVENTION

[0003] A large number of consumer products involve fluid or liquid formulations that  
are topically applied to the body. Some examples of these products include sunscreen,  
skincare products, body cleansers and sanitizers, personal lubricants, cosmetics, repellents,  
15 skin camouflages, and body and face paints. These products are normally sold in a variety of  
dispensing containers, ranging in size from large, economy-size containers to small, travel-  
size bottles. However, consumers of these products often find that the existing dispensing  
containers are inadequate and inconvenient for use while away from the home, office, or  
other location where these products are normally kept. Even if a product is provided in a  
20 travel-size container, such containers are rarely, if at all, convenient or discreet enough to be  
wearable. Thus, hands-free accessories for carrying consumer products made of viscous  
fluids are important because of their convenience for consumers.

[0004] The wrist is a convenient place to carry items such as the consumer products  
mentioned above. One reason for this is due to the fact that the wrist is a location that  
25 minimizes the time to access the product by hand. As noted below, various inventions have  
attempted, unsuccessfully, to take advantage of the wrist as a place to carry a container with  
fluids.

[0005] U.S. Patent 6,581,811 discloses a wearable container for flowable materials.  
The wearable container of U.S. Patent 6,581,811 is intended for food or beverage storage and  
30 is deformable axially so that the length and volume of the container can change, and that  
change can push the flowable material from within. However, the container does not form a  
continuous cavity and is closed on one end. Also, there is no mechanism for indicating how

much of the contents have been dispensed and no dedicated mechanism for sealing and dispensing.

5 [0006] U.S. Patent 4,702,473 discloses a combination hand weight and water dispenser. The container of U.S. Patent 4,702,473 is intended for beverage storage and is handheld and not wearable.

[0007] U.S. Patent 4,768,688 discloses a suntan lotion bracelet. The wearable container of U.S. Patent 4,768,688 is a rigid tube that maintains its shape and has caps to close the container and dispense the contents. However, there is no mechanism for dispensing besides squeezing the container, no indicator of how much of the contents have  
10 been dispensed, and the open cap is for filling and dispensing.

[0008] U.S. Patent 5,060,833 discloses a wearable collapsible container for dispensing drinking water. This collapsible container is worn using straps.

[0009] U.S. Patent 5,207,362 discloses a wearable container for dispensing liquid for drinking. It is a tube worn around the neck having a straw inserted therein.

15 [0010] U.S. Patent 5,261,570 discloses a flexible, wearable liquid dispenser. The dispenser of U.S. Patent 5,261,570 is intended for lotions and other liquids. It is a hollow molded plastic form with a cap. It is meant to be squeezed to dispense the contents. However, it is not for wearing on the wrist nor is there a mechanism for dispensing other than squeezing the container, no indicator of how much of the contents has been dispensed, and  
20 the open cap is for filling and dispensing.

[0011] U.S. Patent 5,431,308 discloses an apparatus for storing and dispensing fluids for use by an athlete. It is a hollow tube with closed ends.

[0012] U.S. Patent 5,622,293 discloses a wearable liquid container. It is a flexible tube with two ends that connect to form a loop. However, only one of the ends is open for  
25 receiving and dispensing liquids and an exterior connecting member keeps the ends together.

[0013] To date, nothing in the prior art has been described that is mechanically effective as both a viscous fluid container and a dispenser, and that solves the functional challenges of being refillable, virtually spill-proof, wearable, discreet, and able to be  
30 manufactured in many different colors and styles, and therefore wearable in many circumstances. Therefore, there is a need for a wearable device for storing and dispensing fluids such as the consumer products mentioned above.

[0014] The present invention is directed to overcoming these and other deficiencies in the art.

**SUMMARY OF THE INVENTION**

[0015] In one aspect, the present invention relates a device for storing and dispensing a fluid. The device includes an elongated container, an outlet component, and a movable dispensing component. The elongated container includes a hollow body having a first end and a second end. The outlet component is directly or indirectly attached to the first end of the elongated container. The outlet component is effective as a conduit for dispensing the fluid from the elongated container. The movable dispensing component is effective for manipulating the fluid through the elongated container and for dispensing the fluid from the outlet component. The movable dispensing component is configured to be movably disposed within the container. The device of the present invention can further include one or more embellishment selected from the group consisting of charms, stones, gems, ornaments, precious metals, and the like.

[0016] In another aspect, the present invention relates to a kit that includes the device of the present invention and a filling attachment. The filling attachment includes an attachment end and an adapter end. The attachment end is configured to insert a fluid into the elongated container. The adapter end is configured to connect to a reservoir containing the fluid prior to the fluid being inserted into the elongated container. The kit can further include one or more embellishment selected from the group consisting of charms, stones, gems, ornaments, precious metals, and the like.

[0017] In yet another aspect, the present invention relates to a kit that includes a compilation of component parts comprising the elongated container, the outlet component, and the movable dispensing component of the device of the present invention. The kit can further include a filament for directly or indirectly anchoring the movable dispensing component to the elongated container. The kit can also include a filling attachment comprising an attachment end and an adapter end. The attachment end is configured to insert a fluid into the elongated container. The adapter end is configured to connect to a reservoir containing the fluid prior to the fluid being inserted into the elongated container. The kit can further include one or more embellishment selected from the group consisting of charms, stones, gems, ornaments, precious metals, and the like.

[0018] In another aspect, the present invention relates to a method for storing a fluid. This method involves providing a device of the present invention. The device contains the fluid and is provided so that the first end and second end of the elongated container of the device are connected so as to form a closed ring-like structure, thereby storing the fluid.

[0019] In still another aspect, the present invention relates to a method for dispensing a fluid. This method involves providing a device of the present invention. The device contains the fluid and is provided so that the first end and second end of the elongated container are not connected. Thereafter, the movable dispensing component is manipulated  
5 in a direction toward the first end of the elongated container so that the fluid is expelled from the outlet component.

[0020] In yet another aspect, the present invention relates to a method for storing, dispensing, and refilling a fluid. This method involves providing a device of the present invention. The device contains the fluid and is provided so that the first end and second end  
10 of the elongated container are connected so as to form a closed ring-like structure, thereby storing the fluid. Thereafter, the first end and second end of the elongated container are disconnected. The movable dispensing component is then manipulated in a direction toward the first end of the elongated container so that the fluid is expelled from the outlet component. The elongated container is then refilled with unused fluid.

[0021] The device of the present invention has a number of attributes that are superior over fluid dispensers in the prior art. For example, the device of the present invention provides, for the first time, a wearable container for storing and dispensing fluids that uses a removable and movable dispensing component that serves as: (i) an internal seal that  
15 prevents and/or slows backflow of the fluid within the container; (ii) a dispensing mechanism for moving the fluid through the container and expelling it from the container; (iii) a volume indicator for visualizing the amount of fluid remaining in the container; and (iv) a configuration that provides a movable dispensing component that can be removed from the container to allow for efficient filling and/or refilling of the container with replacement fluids that can then be stored and dispensed from the container.

[0022] Further, in one aspect, the present invention provides a device that is a container and dispensing device for viscous fluids that is configured to be worn comfortably on the body. Other attributes of the device of the present invention include, without  
25 limitation: (i) convenience, in that it is fillable, refillable, washable, wearable, and durable; (ii) comfort, in that it is soft to the touch and does not pinch or catch arm hair; (iii) versatile/fashionable, in that it can be configured into a discreet shape and size, have a choice of color and style for various uses (e.g., work or leisure), and be worn on the wrist or attached to an object.

[0023] As noted, the present invention provides a wearable device that can function as a convenient and portable container for storing and dispensing a variety of fluids (e.g.,

5 sunscreen, insect repellent, and hand sanitizer). These attributes are particularly useful for enabling the proper application of sunscreen. Therefore, in one aspect, the present invention is useful in addressing one of the major challenges that dermatologists face in the fight against skin cancers, namely, the failure of people to apply sun protection products when they need to. One way to address this problem is to provide a convenient means to carry and apply sunscreen (i.e., by providing the device of the present invention), and therefore influence consumer behavior in favor of the appropriate and timely application of sunscreen.

10 [0024] These, and other objects, features, and advantages of this invention will become apparent from the following detailed description of the various aspects of the invention taken in conjunction with the accompanying drawings.

### BRIEF DESCRIPTION OF THE DRAWINGS

15 [0025] For the purpose of illustrating the present invention, there are depicted in the drawings certain embodiments of the invention. However, the invention is not limited to the precise arrangements and instrumentalities of the embodiments depicted in the drawings.

[0026] Figure 1 is a schematic drawing of one embodiment of the device of the present invention. The device is shown in a storage position.

[0027] Figure 2 is a schematic drawing of one embodiment of the device of the present invention. The device is shown in an open and fillable position.

20 [0028] Figures 3A-3D are various schematic drawings of one embodiment of the device of the present invention. This embodiment is configured so that movable dispensing component **10** is tethered to the base end of outlet component **16**. Figure 3A shows the device in an open and fillable position, with movable dispensing component **10** disposed outside of elongated container **1**. Figures 3B-3D show the device with movable dispensing component **10** located at various stages within the elongated container.

[0029] Figure 4 is a schematic drawing of one embodiment of the device of the present invention. This figure shows elongated container **1** in an open position and at a partially filled state with a viscous fluid **30** being dispensed therefrom.

30 [0030] Figure 5 is an exploded view of one embodiment of an outlet component of the device of the present invention. In this embodiment, outlet component **16** is a barbed nozzle that also serves as a connector for the first and second ends of elongated container **1**. This figure shows the device in a closed position at the point of connection of the two ends of elongated container **1**.

[0031] Figure 6 is a close-up perspective view of the seal created by the movable dispensing component within the elongated container. In the embodiment shown in this figure, the movable dispensing component is a tethered sphere.

[0032] Figures 7A-7C are schematic drawings of various views of one embodiment of the movable dispensing component of the present invention.

[0033] Figures 8A-8E are schematic drawings of embodiments of various filling attachments **40** for use in the present invention.

[0034] Figures 9A-9F are schematic drawings of embodiments of various outlet component and corresponding connector component combinations.

[0035] Figure 10 is a schematic drawing of one embodiment of the device of the present invention, in which movable dispensing component **10** is not tethered to elongated container **1**.

[0036] Figure 11 is a schematic drawing of one embodiment of the device of the present invention, in which the device is configured to both store and dispense the fluid while being maintained in a linear configuration. As shown in this figure, a terminal cap is inserted at the end opposite to outlet component **16**. The terminal cap can be configured to be removable in order to allow for filling and refilling of elongated container **1** with fluids.

[0037] Figure 12 is a schematic drawing of one embodiment of the device of the present invention, in which the device is configured to both store and dispense the fluid while being maintained in a closed, ring-like configuration.

[0038] Figures 13A-13B are schematic drawings of one embodiment of the device of the present invention, in which the device is configured to include an external manipulation ring that can be used to facilitate manipulation of the movable dispensing component within the elongated container. Figure 13A shows the device having one external manipulation ring **15**. Figure 13B shows the device having two external manipulation rings **15**.

[0039] Figures 14A-14C are schematic drawings of one embodiment of the device of the present invention, in which the device is configured to include movable dispensing component **10** having external manipulation component **11**.

[0040] Figures 15A-15D are various schematic drawings of one embodiment of the device of the present invention. This embodiment is configured to include multiple movable dispensing components **10**.

[0041] Figure 16 is a schematic of one embodiment of a production board designed for manufacturing the device of the present invention in mass quantities. This figure shows production board **80** having a plurality of holes for holding movable dispensing component

**10** in place during production. This figure shows movable dispensing components **10** prior to attachment of filament **12** and after attachment of filament **12**. The top view of Figure 16 shows a top view of production board **80**, while the bottom view of Figure 16 shows a side view of production board **80**.

5 **[0042]** Figure 17 is a schematic of one embodiment of a production board designed for manufacturing the device of the present invention in mass quantities, with the production board servicing as a connector board. This figure shows production board **80** (connector board **80**) having grommets **82** inserted into holes of connector board **80** into which outlet component **16** can be inserted, thereby facilitating attachment of filament **12** to outlet  
10 component **16** by keeping outlet component **16** in place during production of the device. During production, clip **84** (e.g., a binder clip or other suitable weight) can be removably attached to one end of filament **12** to counterbalance the weight of elongated container **1**.

#### DETAILED DESCRIPTION OF THE INVENTION

15 **[0043]** The present invention generally relates to a device that is effective for storing and dispensing fluids, where the device uses a movable dispensing component for manipulating the movement of fluids within and from the device. The use of the movable dispensing component enables, *inter alia*, a fluid to be stored in, expelled from, and refilled into the device.

20 **[0044]** The device of the present invention is suitable for storing and dispensing any fluid, i.e., any flowable material. Suitable examples of such fluids include, but are not limited to, water, beverages (e.g., juices, sodas, alcoholic beverages, sports drinks, etc.), water mixtures, sunblock, sunscreen, after-sun-care, lotions, topicals, moisturizer, sanitizer, insect repellent, personal lubricant, hand soap, body soap, shaving cream, shampoo, hair  
25 conditioner, toothpaste, cosmetics and perfumes, essential oils, body oils, pharmaceutical mixtures, nutritional mixtures, edible fluid mixtures, energy gels, body camouflage, body paint, face paint, artistic paints, glues, and the like. In a particular embodiment, the device is suitable for storing and dispensing any fluid having a viscosity about equal to or greater than the viscosity of water (measured at room temperature).

30 **[0045]** The device includes an elongated container, an outlet component, and a movable dispensing component.

**[0046]** The elongated container includes a hollow body having a first end and a second end. In one embodiment, the first and second ends of the container are configured to

allow for their direct or indirect connection, so that when the first and second ends are connected, the elongated container is in the form of a closed ring-like structure effective for storing the fluid. In one embodiment, the elongated container is contemplated to be such that it is flexible so as to form a closed ring-like structure when the first and second ends are directly or indirectly connected. The elongated container is also contemplated to be suitable to allow for a movable dispensing component to be disposed within the elongated container and create a seal for maintaining fluid in one portion of the elongated container. The elongated container is also contemplated to be suitable to allow for a movable dispensing component to be disposed within the elongated container and also manipulated to different positions within the elongated container (e.g., to enable dispensing of a fluid from the elongated container).

**[0047]** In another embodiment, the elongated container is non-flexible (e.g., rigid), in which case the elongated container may be pre-formed in a suitable form that is readily useable (e.g., a bracelet, necklace, etc.). In these embodiments, the movable dispensing component can be combined with an external manipulation component, whereby the external manipulation component is disposed outside of the elongated container and used as a proxy to move the movable dispensing component inside of the elongated container.

**[0048]** Therefore, suitable materials for use in making the elongated container can include any material that provides an elongated container as contemplated herein. For example, suitable materials for use as the elongated container can include, without limitation, materials such as: latex, silicone, plastic, rubber, copolymers (e.g., thermoplastic elastomers, thermoplastic rubbers), neoprene, metal, metallic tubing, fabric, paper, wood, and the like. Other suitable materials for use as the elongated container can include various types of tubing made out of materials that include, but are not limited to, the following (some of which may overlap with other types or categories of materials described herein): nylon, polyurethane, polyethylene, PVC, fluoroelastomer (Viton), EPDM synthetic rubber, synthetic polyisoprene, thermoplastic rubber, nitrile, styrene butadiene (SBR), hypalon synthetic rubber, thermoplastic rubber, fabric tubing, paper tubing, wood tubing, and the like.

**[0049]** Suitable latex materials for use in the present invention can be obtained from various commercial sources, including, for example, from Kent Elastomer Products, Inc. (Kent, OH) and SML, Inc. (Akron, OH). Suitable silicone materials for use in the present invention can be obtained from various commercial sources, including, for example, from Allness Silicone Company, Inc. (Ontario, Canada). However, any materials suitable in forming a closed ring-like structure are contemplated by the present invention. An example

of a particular type of elastomer can include, without limitation, the K-4500 product provided by Kent Elastomer Products, Inc. (Kent, OH) ([www.kentelastomer.com](http://www.kentelastomer.com)). More particularly, the elongated container can be a portion of latex or silicone tubing of various diameters and lengths. For example, in one embodiment of a device of the present invention suitable for use  
5 as a bracelet, a suitable diameter of the elongated container can be around 1/4 inch; a suitable wall can be about 1/16 or 3/23 inch thick. The length of the elongated container can be any length that corresponds with the intended use. For example, the length of the elongated container will vary depending on whether the device is intended to be worn around the neck, wrist, ankle, etc. In an illustrative example, a device of the present invention in the form of a  
10 bracelet can include an elongated container having a length that ranges from about 5 to about 11 inches, but need not be limited to these lengths. In another illustrative example, a device of the present invention in the form of a choker or necklace can include an elongated container having a length that ranges from about 14 to about 40 inches, but need not be limited to these lengths. One of ordinary skill in the art can readily determine the appropriate  
15 length of elongated container suitable for a particular use.

**[0050]** Latex and silicone have been found to provide a very good seal with consumer product bottles on the market. Further, latex and silicone are both comfortable to wear and do not pinch skin or arm hair while worn. In addition, both latex and silicone come in a large variety of color options. Latex is minimally porous and allows the scent of fluid to permeate  
20 the elongated container (e.g., the bracelet). Silicone comes in a non-opaque tubing option that minimizes product learning curve for customer.

**[0051]** The outlet component is directly or indirectly attached to the first end of the elongated container. The outlet component is effective as a conduit for dispensing the fluid from the elongated container. The movable dispensing component is effective for  
25 manipulating the fluid through the elongated container and for dispensing the fluid from the outlet component. The movable dispensing component is configured to be movably disposed within the container.

**[0052]** In one embodiment, the outlet component can include a hollow tube having a base end and a dispenser end, where the base end of the outlet component is directly or  
30 indirectly attached to the first end of the elongated container. In a particular embodiment, the outlet component is configured so that its dispenser end is tapered, barbed, or tapered and barbed. In another embodiment, the outlet component is configured so that both the dispenser end and the base end are tapered, barbed, or tapered and barbed. In yet another embodiment, a connector component is attached to the second end of the elongated container.

In a particular embodiment, the outlet component can be a 1/4 inch barbed nozzle with spliced coupling (Watts (North Andover, MA)). In another particular embodiment, the outlet component can be a rollerball plug. Suitable rollerball plugs for use in the present invention can be obtained from various commercial sources, including, for example, from Canton Fair  
5 Trading Company, Guangzhou, China. In another particular embodiment, the dispenser end of the outlet component can have a sufficient number of barbs (e.g., 3 barbs) to provide a sufficient closure connection so that the elongated container (e.g., in the form of a bracelet) does not open by itself, while the base end of the outlet component can have a sufficient  
10 number of barbs (e.g., 2 barbs) to provide an object to tether the movable dispensing component to and secure the outlet component to the cavity while maintaining a desired circular wristband shape. The outlet component can be made of such materials as plastic and metal. One of ordinary skill in the art can readily determine various outlet component configurations for use in the present invention.

**[0053]** A suitable connector component can be a connector that is configured to  
15 couple the second end of the elongated container to the outlet component. In one embodiment, the outlet component can include a male end and the connector component can include a corresponding female end. In an additional embodiment, the female end can include a thumb latch mechanism to hold or release the male end. Suitable thumb latch mechanisms for use in the present invention can be obtained from various commercial  
20 sources, including, for example, from US Plastic Corp. (Lima, OH). In another embodiment, the outlet component can include a female end and the connector component can include a corresponding male end.

**[0054]** In another embodiment, the dispenser end of the outlet component is configured to connect to the second end of the elongated container so that the elongated  
25 container forms a closed ring-like structure. In a particular embodiment, the outlet component and the connector component are configured to couple with one another using a screw-threading mechanism. In another embodiment, the outlet component and the connector component are configured to couple with one another using a snap-together mechanism. In another embodiment, the outlet component and the connector component are  
30 configured to couple with one another using a ball and socket mechanism. In another embodiment, the outlet component and the connector component are configured to couple with one another using a magnetic closure mechanism.

**[0055]** In one embodiment, the base end of the outlet component is attached to the first end of the elongated container by a binding component. A suitable binding component

can include, without limitation, any band, including, for example, an O-ring, an identification band, a grommet, and the like. In a particular embodiment, the O-ring is a #7 O-ring.

Suitable O-rings for use in the present invention can be obtained from various commercial sources, including, for example, from Danco, Inc. (Boothwyn, PA). Suitable materials for the  
5 binding component include but are not limited to, rubber, silicone, plastic, metal, and the like.

**[0056]** A suitable outlet component can include a dispenser end that is configured to expel the fluid therefrom and in some cases may have an internal check valve. Suitable internal check valves for use in the present invention can be obtained from various commercial sources, including, for example, from US Plastic Corp (Lima, OH).

10 **[0057]** As described herein, the movable dispensing component is configured to be movably disposed within the container. When the movable dispensing component is movably disposed within the container, it is effective to create a fluid partition of the container and a vacant partition of the container. The fluid partition is the portion of the container's hollow body that is terminally defined by the first end of the container and the  
15 movable dispensing component. The vacant partition is the portion of the container's hollow body that is terminally defined by the second end of the container and the movable dispensing component. The movable dispensing component is effective to prevent and/or slow the flow (particular the backflow) of fluid in certain directions within the elongated container. Whether the movable dispensing component prevents or slows backflow of the  
20 fluid will depend on the viscosity of the fluid. For example, the movable dispensing component can be effective in slowing backflow of fluids with low viscosity (e.g., water), and can be effective in preventing backflow of fluids with high viscosity (e.g., thick lotions, toothpaste).

**[0058]** In one embodiment, the movable dispensing component is adapted for  
25 manipulating the fluid through the container and expelling the fluid from the container through the outlet component. In another embodiment, the movable dispensing component can be a substantially solid structure, and have a shape effective (i) to create the fluid and vacant partitions of the container and (ii) for manipulating the movable dispensing component through the container so as to move the fluid through the container. A suitable  
30 movable dispensing component can contain a pore that extends through the center of its substantially solid structure. The pore of the movable dispensing component can be used to facilitate tethering of the movable dispensing component to a filament, as described herein.

**[0059]** Suitable movable dispensing components can be of the following exemplary shapes: spherical, round, oblong, oval, teardrop, conical, rondelle, irregular, and the like.

However, any shape that enables the movable dispensing component to move within the elongated container and prevent or slow the backflow of fluid in the elongated container (e.g., fluid from moving away from the outlet component end) is contemplated by the present invention. The movable dispensing component can also be made of a material such as glass, plastic, rubber, stone, bone, horn, ivory, metal, shell, pearl, coral, gemstones, polymer clay, metal clay, resin, synthetic minerals, wood, ceramic, and fiber. In one embodiment, the movable dispensing component is a bead. With regard to dimensions, the suitable dimension of the movable dispensing component will vary depending on the inner dimension of the elongated container, so as to allow the movable dispensing component to maintain a seal within the container while still allowing for the manipulation of the movable dispensing component within the container. Suitable beads for use as movable dispensing components in the present invention can be obtained from various commercial sources, including, for example, from Beads-In-Bulk (Marietta, GA). In a particular embodiment, a suitable movable dispensing component can be a 6-8 mm sphere (e.g., a bead).

**[0060]** A filament can be used to directly or indirectly anchor the movable dispensing component to the elongated container, where the filament has a first terminal end and a second terminal end. In a particular embodiment, the first terminal end of the filament is attached to the base end of the outlet component and the second terminal end of the filament is attached to the movable dispensing component. The filament can have a length so as to allow the movable dispensing component to be exported from the second end of the elongated container while still being anchored to the elongated container. Such a configuration facilitates refilling of the elongated container with unused fluid. In a particular embodiment, the filament can be about 10 inches in length, where the elongated container is about 8.5 inches in length.

**[0061]** Suitable filaments for use in the device can include, without limitation, single filaments and/or multifilaments. Thus, as used herein, filament refers to any single or multi-strand material that is suitable for tethering the movable dispensing component to the elongated container, either directly or indirectly. For example, suitable filaments can include single and/or multifilament jewelry wire, artistic wire, fishing line, and the like. Examples of jewelry wire include, without limitation, jewelry wire made of or coated with a material selected from the group consisting of silver, gold, copper, brass, nickel, zinc, tin, tungsten, and the like. Suitable fishing line can include, without limitation, braided multi-filament fishing line. Other suitable filaments can be made from a material selected from the group consisting of linen twine, hemp twine, Kevlar, silk, nylon, elastic, imitation silk,

monofilament, Nymo, silamide, coated wire (e.g., Beadalon, Valley Twp., PA), tiger tail, and the like.

**[0062]** As described herein, the device of the present invention, when in the form of a closed ring-like structure, can be worn as a bracelet on the wrist of an individual, as an anklet on the ankle of an individual, as a necklace around the neck of an individual, as a removable attachment to an inanimate object, and the like. Examples of inanimate objects contemplated by the present invention include, for example, a bike, a backpack, a garment, a purse, a bag, a belt loop, and the like. The device of the present invention can also be used in various other types of body accessories and clothing or accessory attachments, including, without limitation, as a bangle, armband, pendant, waistband/belt, keychain, carabiner, and the like.

**[0063]** The device of the present invention can further include one or more embellishment selected from the group consisting of charms, stones, gems, ornaments, precious metals, and the like.

**[0064]** The device of the present invention can also include one or more external manipulation rings configured to facilitate manipulation of the movable dispensing component within the elongated container. The external manipulation rings can be made of any material that will substantially maintain a ring-like structure, includes materials such as metals, rubbers, plastics, and the like. The external manipulation rings are configured to fit around the exterior of the elongated container and to have a diameter that is less than that of the movable dispensing component.

**[0065]** The present invention also relates to a kit that includes the device of the present invention and a filling attachment. The filling attachment includes an attachment end and an adapter end. The attachment end is configured to insert a fluid into the elongated container. The adapter end is configured to connect to a reservoir containing the fluid prior to the fluid being inserted into the elongated container. Suitable filling attachments can include, for example, a suction cup bottle connector, a twist-on bottle connector, a snap on bottle connector, a flexible funnel, a barbed funnel and a rubber ring bottle connector. A suitable reservoir can be any vessel that can hold unused fluid, including, for example, a bottle, a tube, a packet, and the like. The kit can further include one or more embellishment selected from the group consisting of charms, stones, gems, ornaments, precious metals, and the like.

**[0066]** In yet another aspect, the present invention relates to a kit that includes a compilation of component parts comprising the elongated container, the outlet component, and the movable dispensing component of the device of the present invention. The kit can

further include a filament for directly or indirectly anchoring the movable dispensing component to the elongated container. The kit can also include a filling attachment comprising a attachment end and an adapter end. The attachment end is configured to insert a fluid into the elongated container. The adapter end is configured to connect to a reservoir  
5 containing the fluid prior to the fluid being inserted into the elongated container. The kit can further include one or more embellishment selected from the group consisting of charms, stones, gems, ornaments, precious metals, and the like.

**[0067]** In another aspect, the present invention relates to a method for storing a fluid. This method involves providing a device of the present invention. The device contains the  
10 fluid and is provided so that the first end and second end of the elongated container of the device are connected so as to form a closed ring-like structure, thereby storing the fluid.

**[0068]** In still another aspect, the present invention relates to a method for dispensing a fluid. This method involves providing a device of the present invention. The device contains the fluid and is provided so that the first end and second end of the elongated  
15 container are not connected. Thereafter, the movable dispensing component is manipulated in a direction toward the first end of the elongated container so that the fluid is expelled from the outlet component.

**[0069]** In yet another aspect, the present invention relates to a method for storing, dispensing, and refilling a fluid. This method involves providing a device of the present  
20 invention. The device contains the fluid and is provided so that the first end and second end of the elongated container are connected so as to form a closed ring-like structure, thereby storing the fluid. Thereafter, the first end and second end of the elongated container are disconnected. The movable dispensing component is then manipulated in a direction toward the first end of the elongated container so that the fluid is expelled from the outlet  
25 component. The elongated container is then refilled with unused fluid.

**[0070]** In one embodiment, the refilling step can include removing the movable dispensing component from within the elongated container, and inserting unused fluid through the second end of the elongated container.

**[0071]** In another embodiment, the refilling step can include maintaining the movable  
30 dispensing component at a position within the elongated container, and inserting unused fluid through the first end of the elongated container.

**[0072]** Turning to the Figures, various embodiments of the present invention are further described herein below.

[0073] In one embodiment (*see, e.g.*, Figures 1-3), device **20** of the present invention is a wearable container for carrying and dispensing a fluid **30**. Device **20** includes an elongated container **1** structured such that both ends are open and therefore allow for the filling, dispensing, rinsing, and refilling of fluid **30** by a user. One end of container **1** can be connected to outlet component **16** (e.g., a tapered nozzle) that facilitates dispensing and tightly connects to the opposite end of container **1** to form a circular ring-like shape. Inside container **1** can be movable dispensing component **10** (e.g., a sphere) that is tethered to outlet component **16** (e.g., a nozzle) by filament **12**. Movable dispensing component **10** acts as a plug to prevent or slow fluid **30** from spilling from the end opposite to the end connected to outlet component **16**. Movable dispensing component **10** also is a dispensing force that as it is moved through container **1** pushes fluid **30** (e.g., a viscous liquid) (*see* Figure 3) out of outlet component **16** (e.g, a nozzle). Additionally, movable dispensing component **10** (e.g, in the form of a sphere) can be used to indicate (e.g., visually or by touch) how much fluid remains inside container **1**. Container **1** (e.g, including a tubular cavity) is made of a flexible and squeezable material such as latex or silicone that can be worn comfortably around the wrist, for example, and is of a size that maintains the circular shape, and whereby more than one can easily be worn at the same time.

[0074] As shown in Figure 1, in one embodiment, device **20** of the present invention can form a circular ring-like shape when the ends of elongated container **1** are connected. Outlet component **16** is attached to one end of elongated container **1** by binding component **14**, and then is inserted into the opposing end of elongated container **1** to form a circular ring-like shape that allows for device **20** to store a suitable fluid therein. In this embodiment, movable dispensing component **10** is tethered to one end of elongated container **1** by filament **12**.

[0075] As shown in Figure 2, in one embodiment, device **20** is configured to allow for refilling of a suitable fluid into elongated container **1** by way of the end that is opposite to outlet component **16**. For example, in order to refill elongated container **1** with a fluid, movable dispensing component **10** can be removed from within elongated container **1**. The fluid may then be inserted through the open end of elongated container **1** until the desired fluid level is reached, and then movable dispensing component **10** can be inserted back into elongated container **1** to create a seal, as discussed herein above. In the embodiment shown in Figure 2, movable dispensing component **10** is tethered to elongated container **1** by filament **12**. However, the present invention also contemplates embodiments in which

movable dispensing component **10** is not required to be tethered to elongated container **1** (*see, e.g.*, Figure 10, Figure 12, and Figures 14A-14C).

[0076] Figures 3A-3D show how filament **12** slackens as movable dispensing component **10** is manipulated toward outlet component **16** as the fluid contained in elongated container **1** is dispensed from the device through outlet component **16**.

[0077] Figure 4 provides a perspective view of one embodiment of device **20** in which elongated container **1** is in the open position for dispensing of fluid **30**. Movable dispensing component **10** is shown to create a seal, and thereby to create a partition within elongated container **1**, where one partition is fluid partition **50** and the other partition is vacant partition **60**. As movable dispensing component **10** is manipulated toward outlet component **16**, fluid **30** is dispensed from elongated container **1** through outlet component **16**, as shown.

[0078] Figure 5 shows a close-up view of the connection of the two opposing ends of elongated container **1** in one embodiment of the device of the present invention. In this embodiment, binding component **14** is an O-ring that serves to attach outlet component **16** to one end of elongated container **1**. In the embodiment shown in Figure 5, outlet component **16** is a barbed nozzle. Filament **12** is attached to elongated container **1** at the dispensing end. Movable dispensing component **10** is shown attached to filament **12**.

[0079] Figure 6 is a close-up view of the seal created by movable dispensing component **10**. This figure shows fluid **30** partitioned on one side of movable dispensing component **10**. Filament **12** is shown attached to movable dispensing component **10** with a certain degree of slack. As shown in this embodiment, one benefit of movable dispensing component **10** is its characteristic to serve as a visual and tactile guide of the level of fluid **30** within elongated container **1**. This feature can be useful in various circumstances, including in situations where the material used for elongated container **1** is opaque or where the fluid is clear or otherwise unable to be visually distinguished from the vacant portion of elongated container **1**.

[0080] Turning to Figures 7A-7C, movable dispensing component **10** can be configured to include pore **18**, which can be used for securing filament **12** to one end of elongated container **1**. Figure 7A is a top view of movable dispensing component **10** showing pore **18**. Figures 7B and 7C are cross-sectional views of dispensing component **10** showing pore **18** running through dispensing component **10**, with Figure 7C also showing filament **12** inserted into pore **18**.

[0081] The device of the present invention is suitable for use with various fluids that are commercially available, regardless of the type of packaging used for the fluid. As shown in Figures 8A-8E, various filling attachments **40** can be used as adapters to assist in filling and refilling the device with a fluid, including fluids contained in various types of packaging (e.g., bottles). The top portion of Figures 8A-8C show filling attachments **40** prior to insertion into elongated container **1**. The bottom portion of Figures 8A-8C show filling attachments **40** after they have been inserted into elongated container **1**. Figures 8D and 8E show filling attachments **40** inserted into elongated container **1**. Thus, filling attachment **40** can be used or configured to be used with the various types of standard bottle tops that are commercially available for the types of fluids suitable for the device of the present invention.

[0082] As shown in Figures 9A-9F, the device of the present invention can be configured to include various outlet component and corresponding connector component combinations. Figures 9A-9F show various types of outlet components **16** and connector components **17** prior to connection to one another. In these embodiments, device **20** can be configured to include connector component **17** that can be securely attached to outlet component **16** when in closed position, and then detached for refilling. As shown in Figure 9A, in one embodiment, outlet component **16** and connector component **17** can be configured to be attached by way of magnetic force. Figure 9B shows an outlet component **16**/connector component **17** combination in which connector component **17** includes a thumb latch mechanism to hold or release outlet component **16**. Figure 9C shows an embodiment in which outlet component **16** and connector component **17** are configured to be snapped together. Figure 9E shows an embodiment in which outlet component **16** and connector component **17** are configured to be screwed together. Figures 9D and 9F show embodiments where outlet component **16** connects to the opposing end of elongated container **1**, without the need for a separate connector component **17**.

[0083] The device of the present invention can be configured so that both ends of elongated container **1** are designed to serve as both dispensing and filling ports. For example, in one such embodiment, movable dispensing component **10** can be untethered (*see* Figure 10), so that the fluid can be refilled in one end of elongated container **1** and dispensed through the same end thereof. Therefore, in such an embodiment, refilling and dispensing of fluid **30** would not require removing movable dispensing component **10** from within elongated container **1**.

[0084] The device of the present invention can also be configured to both store and dispense the fluid while being maintained in a linear configuration (*see* Figure 11). In other

words, the device would be able to store the fluid in an open position, as opposed to requiring the opposing ends of the elongated container to be attached. In such an embodiment, the ends of the elongated container are configured so that they can be sealed and opened. As illustrated in Figure 11, in a particular configuration of this embodiment, the device of the present invention can include a keychain like attachment to allow securing of the device to a belt loop, strap, or the like.

**[0085]** The device of the present invention can also be configured to both store and dispense the fluid while being maintained in a closed, ring-like configuration (*see* Figure 12). Referring to Figure 12, in such an embodiment, the device can include outlet/connector combination **24** having port **22** and having a lid that can be opened and closed to allow for one to dispense and/or refill the fluid from elongated container **1**, without requiring the ends of elongated container **1** to be detached from one another. As shown in Figure 12, such an embodiment may optionally be configured so that movable dispensing component **10** is tethered to filament **12**, although this embodiment may also be configured so that movable dispensing component **10** is not tethered to filament **12**.

**[0086]** The device of the present invention can also be configured to include an external manipulation ring that can be used to facilitate manipulation of the movable dispensing component within the elongated container (*see* Figures 13A-13B). Figure 13A shows the device having one external manipulation ring **15**. Figure 13B shows the device having two external manipulation rings **15**. As shown in Figure 13B, in one configuration of this embodiment, at least two external manipulation rings can be included, e.g., one on either side of the movable dispensing component. This configuration allows for the external manipulation rings to be used to move the movable dispensing component in both directions within the elongated container. The external manipulation rings can be constructed so that they have a diameter that is smaller than the diameter of the movable sealing ring.

**[0087]** As set forth herein, the device of the present invention can include an elongated container that is pre-formed and/or made of a rigid material. Examples of devices that are pre-formed or made of rigid materials can include, without limitation, devices made of wood, metal, hard plastic, and the like. Because of their rigidity, these devices generally will not be suitable for manipulation by directly pressing or pushing on the outside of the elongated container in order to move the movable dispensing component within the elongated container. Therefore, as shown in Figures 14A-14C, these types of embodiments of the device of the present invention can be configured to use external manipulation component **11** to assist in moving movable dispensing component **10**. This embodiment also makes it

unnecessary for movable dispensing component **10** to be tethered to a filament. As shown in Figure 14A, movable dispensing component **10** is disposed inside of elongated container **1** and external manipulation component **11** is disposed outside of elongated container **1**.

Figures 14B and 14C show close-up views of movable dispensing component **10** and external manipulation component **11**. Figure 14C also shows guard **13**, which serves to prevent or inhibit fluid from escaping any opening made to elongated container **1**. In other such embodiments, movable dispensing component **10** and external manipulation component **11** can connect to one another by snapping or screwing mechanisms. In other embodiments, the movable dispensing component can be made of metal and the external manipulation component can be a magnetic material, or otherwise assist in moving the movable dispensing component through magnetic force as opposed to physical force.

[0088] As set forth herein, the device of the present invention can be configured to have more than one movable dispensing component. The plurality of movable dispensing components may be tethered or not tethered, and may be of the same or different size and shape. For example, as shown in Figures 15A-15D, one such embodiment can include three movable dispensing components, including movable dispensing component **10**, movable dispensing component **10a**, and movable dispensing component **10b**. In this embodiment, movable dispensing component **10** can be tethered to filament **12**. As shown in Figures 15A-15D, movable dispensing components **10a** and **10b** can be smaller than movable dispensing component **10**, but need not be smaller (i.e., they could be the same size or larger than movable dispensing component **10**). Further, movable dispensing components **10a** and **10b** can be strung along filament **12** so that they can move along filament **12**, or they can be secured in place along filament **12**. One effective use of such an embodiment is to allow for a desired or predetermined unit of fluid to be dispensed per movement of a movable dispensing component (e.g., calibrated as amount of fluid contained between movable dispensing component **10a** and **10b**). As shown in Figure 15A, in this embodiment, movable dispensing component **10** is tethered by filament **12** to the base end of outlet component **16**. Figure 15A shows the device in an open and fillable position, with the terminal movable dispensing component **10** being disposed outside of elongated container **1**, and movable dispensing components **10a** and **10b** being disposed inside of elongated container **1**. Figures 15B-15D show the device with all three movable dispensing components **10**, **10a**, and **10b** located at various stages within the elongated container. Having multiple movable dispensing components assists in enhancing the dispensing functionality of the movable dispensing components, in that they can work together to manipulate flow of fluid in a

desired direction within elongated container **1** and/or prevent or slow flow of fluid in an undesired direction within elongated container **1** (e.g., slow or prevent backflow of fluid).

[0089] Figures 16 and 17 illustrate production boards and connector boards designed for manufacturing the device in mass quantities. As shown in Figure 16, movable dispensing component **10** can lay flat on production board **80** (e.g., a Bead Board having many holes) into which multiple movable dispensing components **10** can be placed. The production board is configured to have holes that are smaller than movable dispensing component **10** and therefore provides a stationary surface to rest before and after filaments **12** are attached. As shown in Figure 17, production board **80** is configured as a connector board that is an upright board with grommets holes having grommets **82** into which outlet components **16** are placed. This placement provides a stationary surface to adhere filaments **12** to outlet components **16**.

[0090] The device can be manufactured as described below. The order of the steps can be changed according to methods well known by those of ordinary skill in the art. Filament **12** is attached to movable dispensing component **10**. Filament **12** is fed through the internal portion of elongated container **1**. Binding component **14** (e.g., an O-ring) is disposed around the first end of elongated container **1**. One terminal end of filament **12** (i.e., the end not attached to movable dispensing component **10**) is adhered to the base end of outlet component **16** (e.g., a nozzle). Outlet component **16** is then inserted into and adhered to the first end of elongated container **1**. Binding component **14** (e.g., an O-ring) is adhered to container **1** and outlet component **16**.

[0091] Manufacturing the device in greater quantities can be achieved by incorporating the production (Figure 16) and connector (Figure 17) boards specifically designed for device production into these steps. In one embodiment, producing more than one device of the present invention can include three subassembly procedures, as described below.

[0092] **Subassembly Procedure No. 1:** Tether the bead. Cut tethers (e.g., 15 inches each). Lay out 60 beads on the bead board, 2 spaces apart, with holes facing up. Place 1 drop of glue in each bead hole. Insert a tether in each bead hole until it is almost sticking out the other end of the hole; let dry/cure.

[0093] **Subassembly Procedure No. 2:** Tether connector. Insert connector(s) in connector board 2-barbed side sticking out. Take 1 tethered bead and feed tether through tubing. Add an O-ring over the excess tether and just onto/around the tubing. Take excess tether and tie 1-2 knots around 2-barbed end. Add a clip to the excess tether to hold it in

place. Add 1 drop of glue to knot and let dry/cure. Trim excess tether as close to connector as possible.

[0094] **Subassembly Procedure No. 3:** Final Bracelet Assembly. Put 1 drop of glue on 2-barbed end of connector, spread once around, then insert connector in tube. Put/glove O-ring in place adjacent to connector. Put Bead back inside tube approx ½ inch. Close bracelet.

### EXAMPLES

[0095] The following examples are intended to illustrate particular embodiments of the present invention, but are by no means intended to limit the scope of the present invention.

#### Example 1

##### Bracelet for Storing and Dispensing Fluid

[0096] A device for storing and dispensing fluid was made in the form of a bracelet. The following components were used: an elongated container **1** made of silver colored latex tubing nine inches in length, with an inside diameter of ¼ inch and a wall of 3/32 inch; a filament **12** made of 6lb. clear artists wire; a movable dispensing component **10** in the form of a 7mm red glass bead; a binding component **17** comprised of a #7 black o-ring; an outlet component **16** made of a ¼ inch nylon barbed coupling.

[0097] The following steps were used to construct the bracelet: Filament **12**, 6lb. clear artists wire, is glued to movable dispensing component **10**, 7mm red glass bead. Filament **12**, 6lb. clear artists wire, is then fed through the internal portion of elongated container **1**, silver colored latex tubing. Binding component **14**, #7 black o-ring is disposed around the first end of elongated container **1**, silver colored latex tubing. One terminal end of filament **12**, 6lb. clear artists wire (i.e., the end not attached to movable dispensing component **10**, 7mm red glass bead) is wrapped around and glued to the base end of outlet component **16**, ¼ inch nylon barbed coupling. Outlet component **16**, ¼ inch nylon barbed coupling is then inserted into and adhered to the first end of elongated container **1**, silver colored latex tubing. Binding component **14**, #7 black o-ring is then moved adjacent to outlet component **16**, ¼ inch nylon barbed coupling and glued in place. The movable dispensing component **10**, 7 mm red glass bead, is now internally tethered to the outlet component **16**, ¼ inch nylon barbed coupling by filament **12**, clear artists wire and rests just external of the open end of elongated container **1**, silver colored latex tubing, (i.e., the end without the outlet

component **16**, ¼ inch nylon barbed coupling. The elongated container **1**, silver colored latex tubing is now filled with Bath & Body Works Black Currant and Vanilla Moisturizing Hand Cream by moving aside the tethered movable dispensing component **10**, 7mm red glass bead, and joining the bottle nozzle to the open end of elongated container **1**, silver colored latex tubing, and squeezing the lotion into the elongated container **1**, silver colored latex tubing. The elongated container **1**, silver colored latex tubing, holds about .10 ounces and can be observed coming out the exposed end of outlet component **16**, ¼ inch nylon barbed coupling, when elongated container **1**, silver colored latex tubing, is full. The tethered movable dispensing component **10**, 7mm red glass bead, is then pushed into the open end of elongated container **1**, silver colored latex tubing, approximately ½ inch. The exposed end of Outlet component **16**, ¼ inch nylon barbed coupling, is then pushed into the open end of elongated container **1**, silver colored latex tubing forming a closed bracelet. The bracelet is then slipped over the hand and worn on the wrist. To access the lotion inside the bracelet do the following: Slip the bracelet over the hand and off of the wrist. Open the bracelet: Pull apart at outlet component **16**, ¼ inch nylon barbed coupling. Note that the side with Binding component **14**, #7 black o-ring is now fixed. Dispense: manipulated tethered movable dispensing component **10**, 7mm red glass bead, through tube to dispense contents. Closing: Replace movable dispensing component **10**, 7mm red glass bead, in elongated container **1**, silver colored latex tubing. The exposed end of Outlet component **16**, ¼ inch nylon barbed coupling, is then pushed into the open end of elongated container **1**, silver colored latex tubing again forming a closed bracelet.

**[0098]** It is suggested to clean the device between fillings and when changing contents, etc... Cleaning: Open. If the elongated container **1**, silver colored latex tubing is not empty, dispense the unused Bath & Body Works Black Currant and Vanilla Moisturizing Hand Cream back into the original container or into a disposal, by following the aforementioned dispensing directions. Then remove tethered movable dispensing component **10**, 7mm red glass bead, from the elongated container **1**, silver colored latex tubing, by manipulating it back out the the open end of elongated container **1**, silver colored latex tubing, Run hot water from faucet through elongated container **1**, silver colored latex tubing. If necessary, use a Q-tip or a pipe-cleaner inside the elongated container **1**, silver colored latex tubing to loosen any stuck lotion.

## Example 2

### Types of Fluids Used in the Bracelet for Storing and Dispensing Fluids

[0099] Suitable fluids that have been stored and dispensed from the preferred embodiment (e.g., a bracelet made according to **Example 1**) include:

- 5 [00100] **Lotions:** Bath & Body Works – Black Currant Vanilla Moisturizing Hand Cream; Jack Black Skincare; Guess Body Lotion; Victoria’s Secret – Very Sexy Body Lotion; Palmers Cocoa Butter; Aveda Botanical Kinetics Skincare; Burt’s Bees After Sun Soother.
- [00101] **Hand Sanitizers:** All Terrain Hand Sanz Antiseptic Hand Sanitizer; Bath & 10 Body Works Pocket Bac Anti-Bacterial Hand Gel.
- [00102] **Sun Screens & Blocks:** Coppertone Sport SPF 30; Jason Active Block SPF 40; Jason Family Block SPF 36; Banana Boat Natural Chemical Free Sunblock SPF 25; Alba Botanical Mineral Sunscreen SPF 10; Avon Skin-So-Soft SPF 30 w/ Bug Repellent.
- [00103] **Insect Repellents & Analgesic:** Bite Blocker Organic; Caladryl Cream.
- 15 [00104] **Personal Lubricants:** Durex Play Passion Cherry Intimate Lubricant.
- [00105] **Energy Gels:** Power Bar Energy Gel, Strawberry Banana.
- [00106] **Lip Glosses:** Aquafina Hydrating Lip Oil, Wild Berry.
- [00107] **Make-ups:** Aveda Tinted Moisture SPF 15.
- [00108] **Shampoo & Conditioners:** Bath & Body Works Volumizing Shampoo & 20 Conditioner.
- [00109] **Toothpastes:** Crest 3D White.
- [00110] **Shaving Gels:** Aveeno Therapeutic Shave Gel.
- [00111] **Liquid Hand Soaps:** Gojo Hand Soap; Softsoap Liquid Hand Soap.
- [00112] **Liquid Body Soaps:** Axe Revitalizing Shower Gel.
- 25 [00113] **Liquid Dish Soaps:** Ultra Palmolive Aroma Sensations Dish Soap.
- [00114] Although preferred embodiments have been depicted and described in detail herein, it will be apparent to those skilled in the relevant art that various modifications, additions, substitutions, and the like can be made without departing from the spirit of the invention and these are therefore considered to be within the scope of the invention as 30 defined in the claims which follow.

**WHAT IS CLAIMED IS:**

1. A device for storing and dispensing a fluid, said device comprising:
  - (a) an elongated container comprising a hollow body having a first end and a second end;
  - 5 (b) an outlet component directly or indirectly attached to the first end of the elongated container, wherein the outlet component is effective as a conduit for dispensing a fluid from the elongated container; and
  - (c) a movable dispensing component effective for manipulating the fluid through the elongated container and for dispensing the fluid from the outlet component,
  - 10 wherein the movable dispensing component is configured to be movably disposed within the container.
  
2. The device according to claim 1, wherein the movable dispensing component, when movably disposed within the container, is effective to create a fluid  
15 partition of the container and a vacant partition of the container,  
wherein the fluid partition is the portion of the container's hollow body that is terminally defined by the first end of the container and the movable dispensing component, and  
wherein the vacant partition is the portion of the container's hollow body that  
20 is terminally defined by the second end of the container and the movable dispensing component.
  
3. The device according to claim 1, wherein the fluid has a viscosity that is equal to or greater than the viscosity of water at room temperature.  
25
  
4. The device according to claim 1, wherein the fluid is selected from the group consisting of sunblock, sunscreen, after-sun-care, lotions, topicals, moisturizer, sanitizer, insect repellent, personal lubricant, hand soap, body soap, shaving cream, shampoo, hair conditioner, toothpaste, cosmetics and perfumes, essential oils, body oils, pharmaceutical  
30 mixtures, nutritional mixtures, edible fluid mixtures, energy gels, body camouflage, body paint, face paint, artistic paints, glues, and the like.

5. The device according to claim 1, wherein the elongated container is made from a material selected from the group consisting latex, silicone, plastic, rubber, copolymers (e.g., thermoplastic elastomers, thermoplastic rubbers), neoprene, metal, fabric, paper, wood, and the like.

5

6. The device according to claim 1, wherein the first and second ends of the container are configured to allow for their direct or indirect connection, so that when the first and second ends are connected, the elongated container is in the form of a closed ring-like structure effective for storing the fluid.

10

7. The device according to claim 1, wherein the outlet component comprises a hollow tube having a based end and a dispenser end, wherein the based end of the outlet component is directly or indirectly attached to the first end of the elongated container.

15

8. The device according to claim 7, wherein the outlet component is configured so that the dispenser end is tapered, barbed, tapered and barbed, a rollerball configuration, and/or includes an internal check valve.

20

9. The device according to claim 7, wherein the outlet component is configured so that both the dispenser end and the based end are tapered, barbed, or tapered and barbed.

25

10. The device according to claim 1, wherein a connector component is attached to the second end of the elongated container, and wherein the connector component is configured to couple to the outlet component.

30

11. The device according to claim 10, wherein the outlet component is a male end and the connector component is a corresponding female end.

12. The device according to claim 10, wherein the outlet component is a female end and the connector component is a corresponding male end.

13. The device according to claim 10, wherein the outlet component and the connector component are configured to couple with one another using a screw-threading mechanism.

5 14. The device according to claim 10, wherein the outlet component and the connector component are configured to couple with one another using a snap-together mechanism or a magnetic mechanism.

10 15. The device according to claim 10, wherein the dispenser end of the outlet component is configured to connect to the second end of the elongated container so that the elongated container forms a closed ring-like structure.

15 16. The device according to claim 10, wherein the base end of the outlet component is attached to the first end of the elongated container by a binding component.

17. The device according to claim 16, wherein the binding component is an O-ring.

20 18. The device according to claim 2, wherein the movable dispensing component comprises a substantially solid structure, and where the movable dispensing component has a shape effective (i) to create the fluid and vacant partitions of the container and (ii) for manipulating the movable dispensing component through the container so as to move the fluid through the container.

25 19. The device according to claim 18, wherein the movable dispensing component contains a pore that extends through the center of the substantially solid structure.

30 20. The device according to claim 1, wherein the movable dispensing component has a shape selected from the group consisting of spherical, round, oblong, oval, teardrop, conical, rondelle, irregular, and the like.

21. The device according to claim 1, wherein the movable dispensing component is made of a material selected from the group consisting of glass, plastic, stone,

bone, horn, ivory, metal, shell, pearl, coral, gemstones, polymer clay, metal clay, resin, synthetic minerals, wood, ceramic, fiber, and the like.

5           22.     The device according to claim 1, wherein the movable dispensing component is a bead.

          23.     The device according to claim 1, wherein the movable dispensing component is anchored directly or indirectly to the elongated container by a filament, said filament having a first terminal end and a second terminal end.  
10

          24.     The device according to claim 23, wherein the first terminal end of the filament is attached to the base end of the outlet component and the second terminal end of the filament is attached to the movable dispensing component.

15           25.     The device according to claim 23, wherein the filament is of a length to allow the movable dispensing component to be exported from the second end of the elongated container while still being anchored to the elongated container.

          26.     The device according to claim 23, wherein the filament is selected  
20 from the group consisting of single and/or multifilament artistic wire, jewelry wire, fishing line, multi-filament line, and the like.

          27.     The device according to claim 23, wherein the filament is made of or coated with a material selected from the group consisting of silver, gold, copper, brass,  
25 nickel, zinc, tin, tungsten, and the like.

          28.     The device according to claim 26, wherein the multi-filament line is braided multi-filament fishing line.

30           29.     The device according to claim 23, wherein the filament is made from a material selected from the group consisting of linen twine, hemp twine, Kevlar, silk, nylon, imitation silk, monofilament, Nymo, silamide, coated wire (e.g., Beadalon, tiger tail), and the like.

30. The device according to claim 1, wherein the elongated container, when in the form of a closed ring-like structure, is adapted for being worn as a bracelet on the wrist of an individual, as an armband on the arm of an individual, as an anklet on the ankle of an individual, as a necklace around the neck of an individual, as a waistband around the waist  
5 or hips of an individual, or as a removable attachment to an inanimate object.

31. The device according to claim 30, wherein the inanimate object is selected from the group consisting of a bike, a backpack, a garment, a purse, a bag, a belt loop, and the like.  
10

32. The device according to claim 1 further comprising:  
one or more embellishment selected from the group consisting of charms,  
stones, gems, ornaments, precious metals, and the like.

33. A kit comprising:  
(a) the device according to claim 1; and  
(b) a filling attachment comprising an attachment end and an adapter end,  
wherein the attachment end is configured to insert a fluid into the elongated  
container, and  
15  
20 wherein the adapter end is configured to connect to a reservoir containing the fluid prior to the fluid being inserted into the elongated container.

34. The kit according to claim 33, wherein the filling attachment is selected from the group consisting of a suction cup bottle connector, a twist-on bottle  
25 connector, a snap on bottle connector, a flexible funnel, a barbed funnel, and a rubber ring bottle connector, and the like.

35. The kit according to claim 33, wherein the reservoir is selected from the group consisting of a bottle, a syringe, and the like.  
30

36. The kit according to claim 33 further comprising:  
one or more embellishment selected from the group consisting of charms,  
stones, gems, ornaments, precious metals, and the like.

37. A kit comprising:

a compilation of component parts comprising the elongated container, the outlet component, and the movable dispensing component of the device according to claim 1.

5

38. The kit according to claim 37 further comprising:

a filament for directly or indirectly anchoring the movable dispensing component to the elongated container.

10

39. The kit according to claim 37 further comprising:

a filling attachment comprising a attachment end and an adapter end, wherein the attachment end is configured to insert a fluid into the elongated container, and

wherein the adapter end is configured to connect to a reservoir containing the fluid prior to the fluid being inserted into the elongated container.

15

40. The kit according to claim 37 further comprising:

one or more embellishment selected from the group consisting of charms, stones, gems, ornaments, precious metals, and the like.

20

41. A method for storing a fluid, said method comprising:

providing a device according to claim 1, wherein said device contains the fluid and is provided so that the first end and second end of the elongated container are connected so as to form a closed ring-like structure, thereby storing the fluid.

25

42. A method for dispensing a fluid, said method comprising

providing a device according to claim 1, wherein said device contains the fluid and is provided so that the first end and second end of the elongated container are not connected; and

30

manipulating the movable dispensing component in a direction toward the first end of the elongated container so that the fluid is expelled from the outlet component.

43. A method for storing, dispensing, and refilling a fluid, said method comprising:

providing a device according to claim 1, wherein said device contains the fluid and is provided so that the first end and second end of the elongated container are connected so as to form a closed ring-like structure, thereby storing the fluid;

disconnecting the first end and second end of the elongated container;

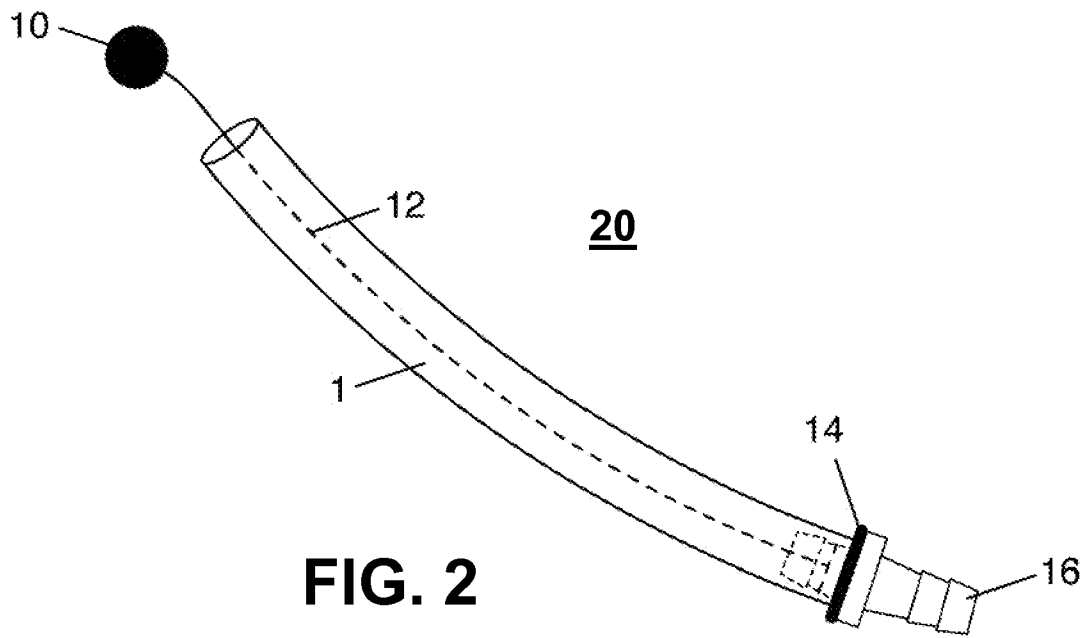
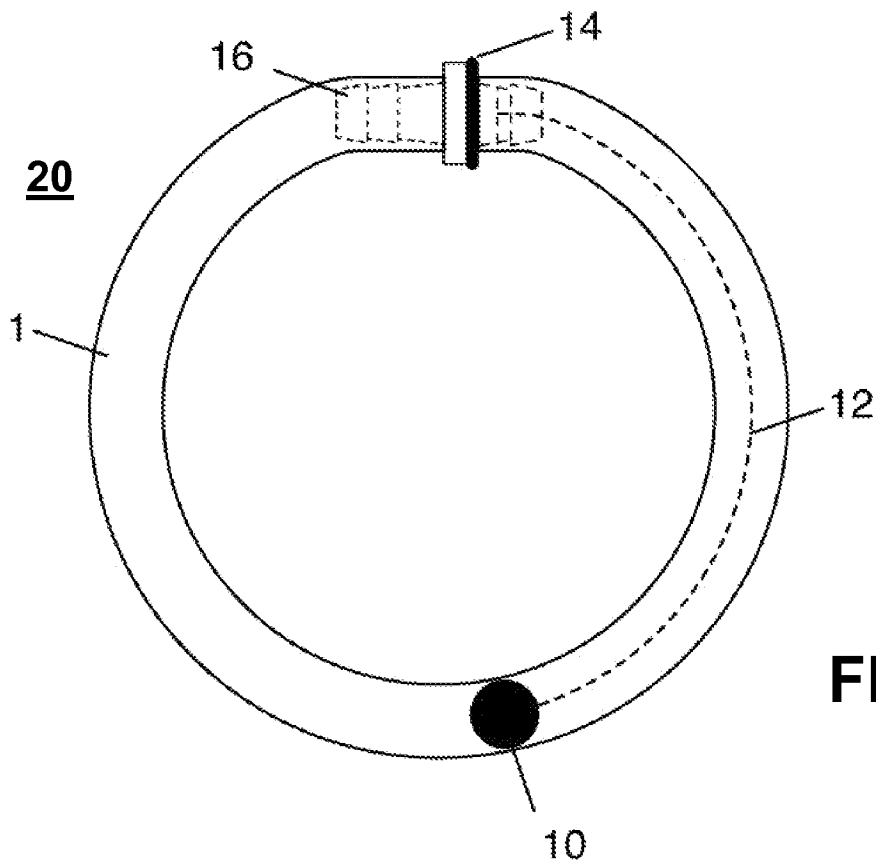
5 manipulating the movable dispensing component in a direction toward the first end of the elongated container so that the fluid is expelled from the outlet component; and refilling the elongated container with unused fluid.

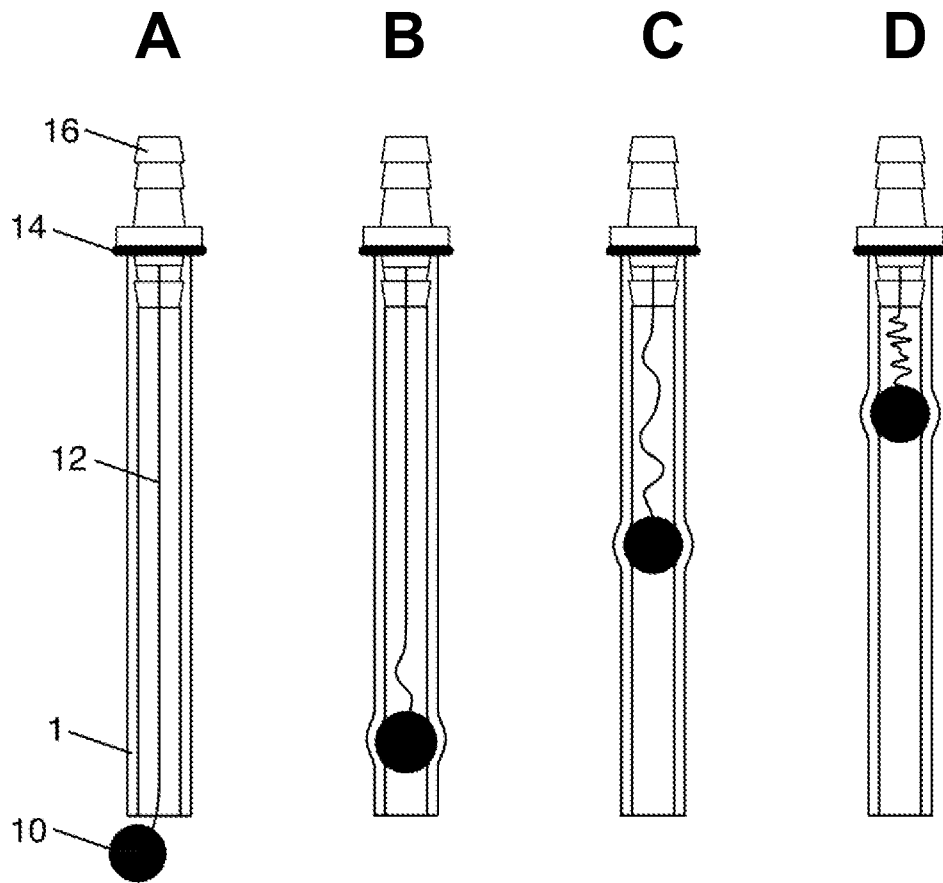
10 44. The method according to claim 43, wherein the refilling step comprises:  
removing the movable dispensing component from within the elongated container; and  
inserting unused fluid through the second end of the elongated container.

15 45. The method according to claim 43, wherein the refilling step comprises:  
maintaining the movable dispensing component at a position within the elongated container; and  
inserting unused fluid through the first end of the elongated container.

20 46. A method for storing a fluid, said method comprising:  
providing a device according to claim 1, wherein said device contains the fluid and is provided so that the first end and second end of the elongated container are not connected but are configured to maintain the fluid within the elongated container.

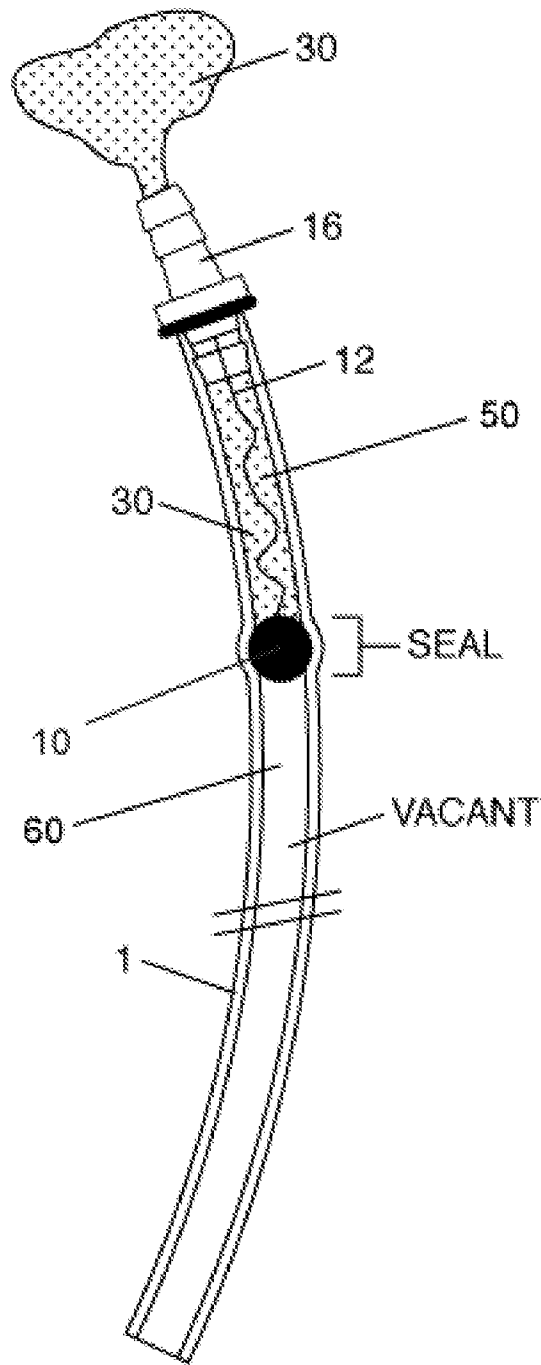
25 47. A method for storing, dispensing, and refilling a fluid, said method comprising:  
providing a device according to claim 1, wherein said device contains the fluid and is provided so that the first end and second end of the elongated container are not  
30 connected but are configured to maintain the fluid within the elongated container;  
manipulating the movable dispensing component in a direction toward the first end of the elongated container so that the fluid is expelled from the outlet component; and  
refilling the elongated container with unused fluid.





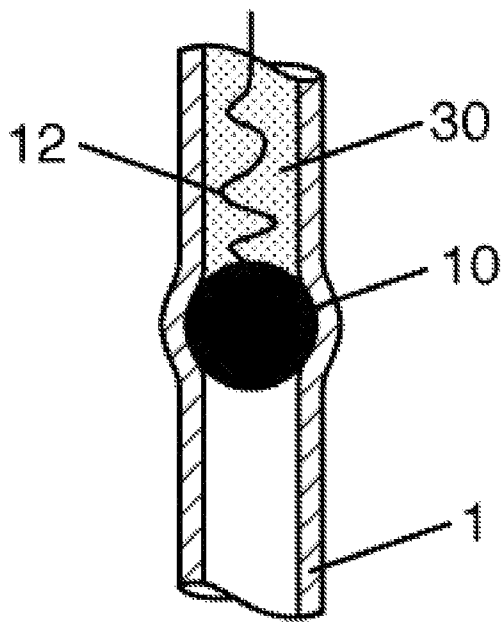
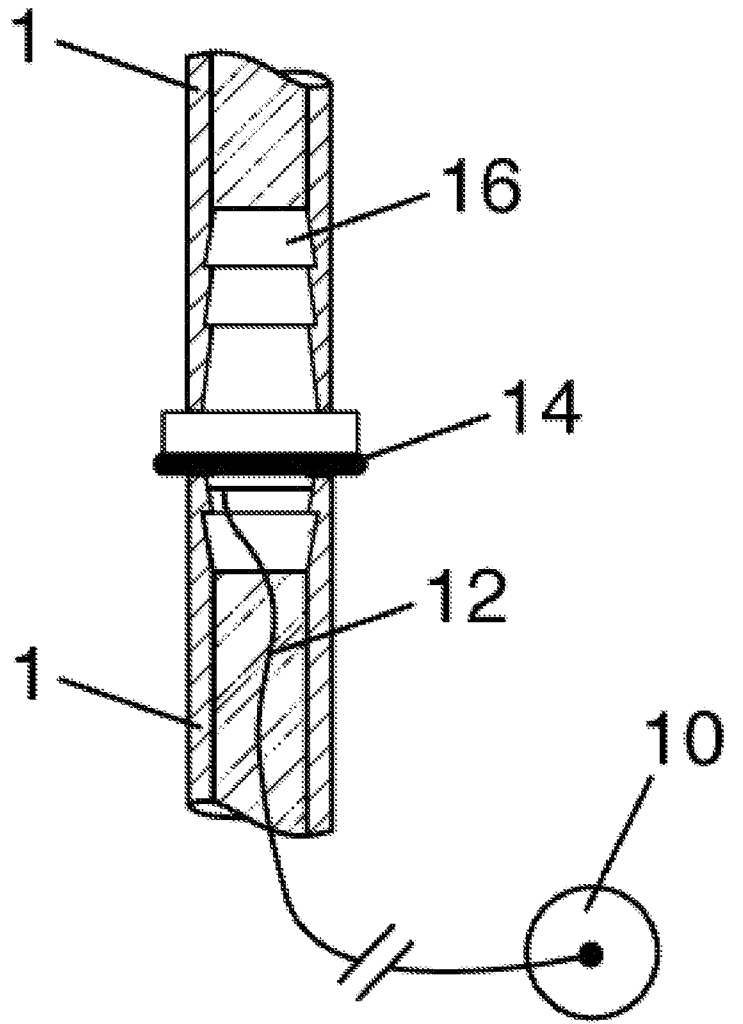
**FIGS. 3A-3D**

20



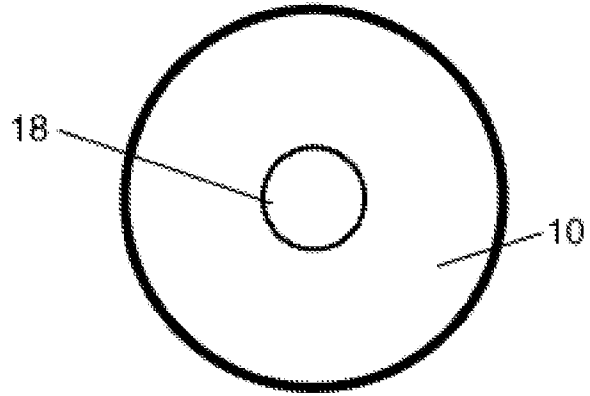
**FIG. 4**

**FIG. 5**

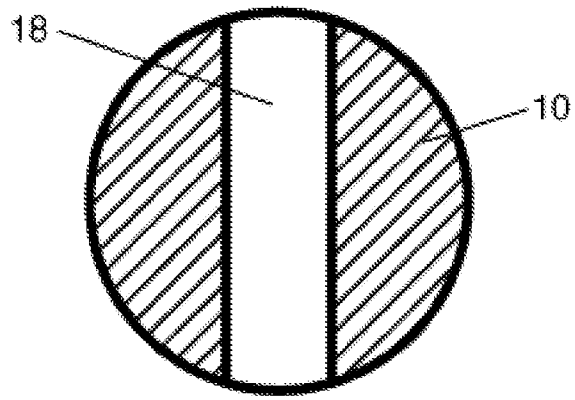


**FIG. 6**

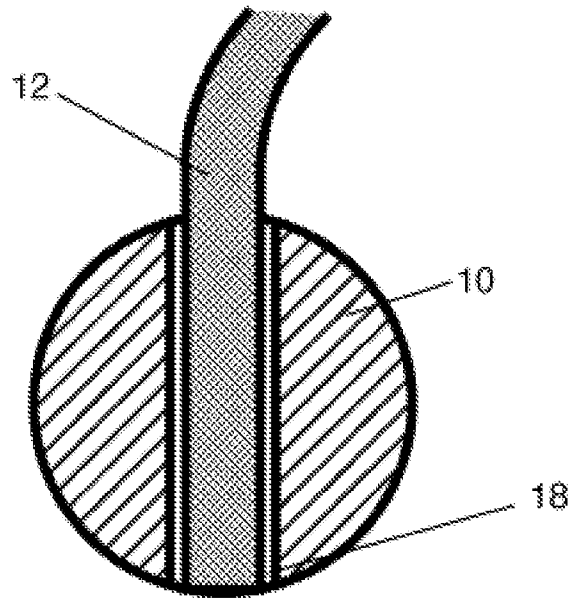
**FIG. 7A**



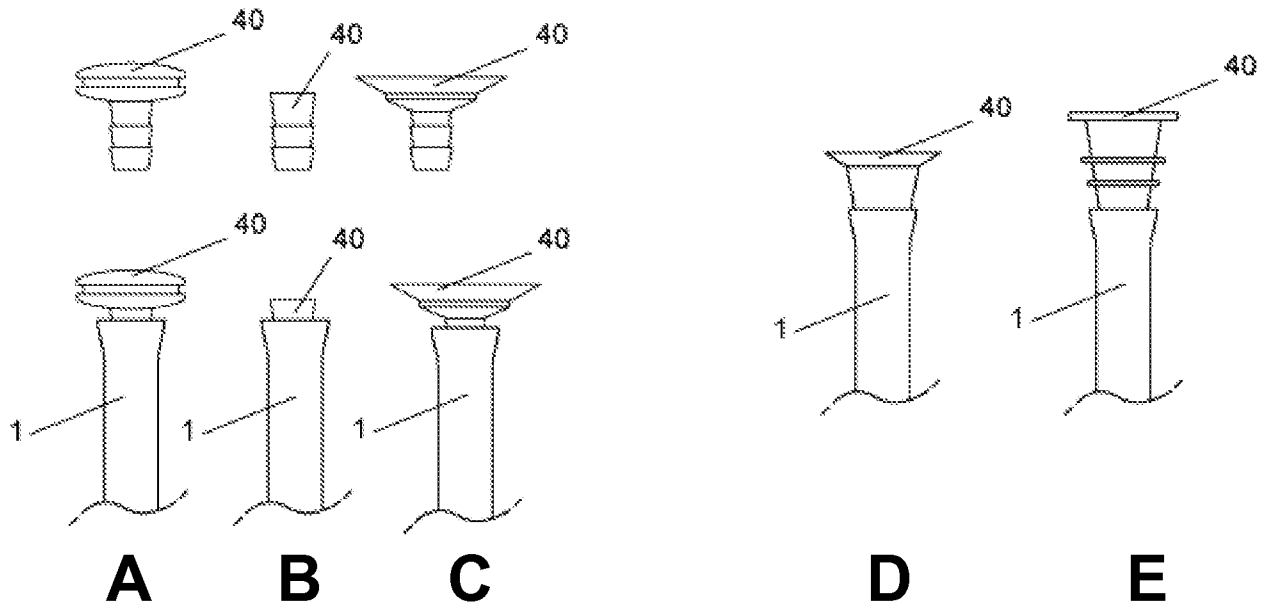
**FIG. 7B**



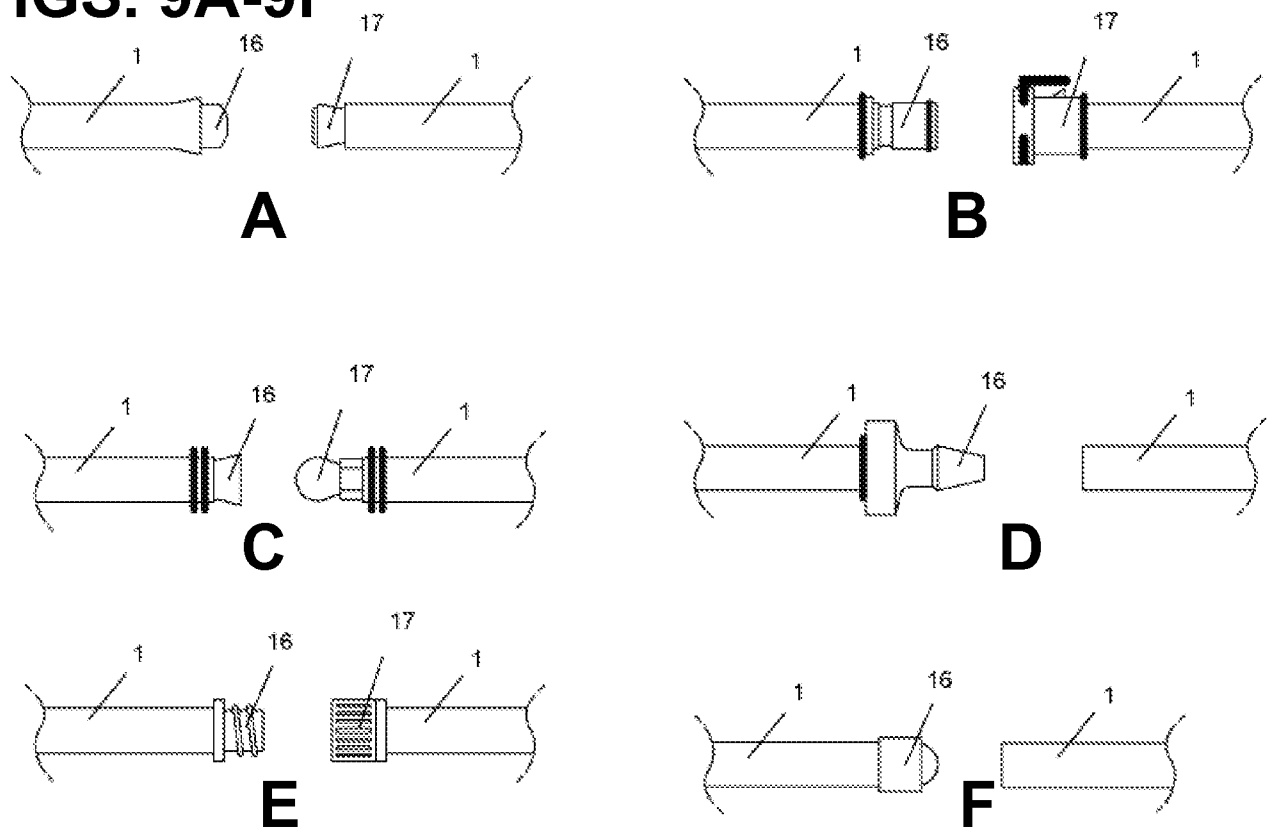
**FIG. 7C**



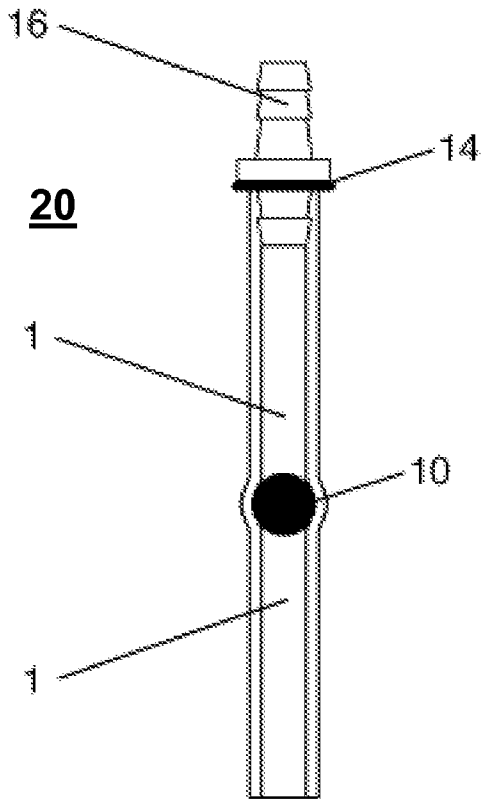
# FIGS. 8A-8E



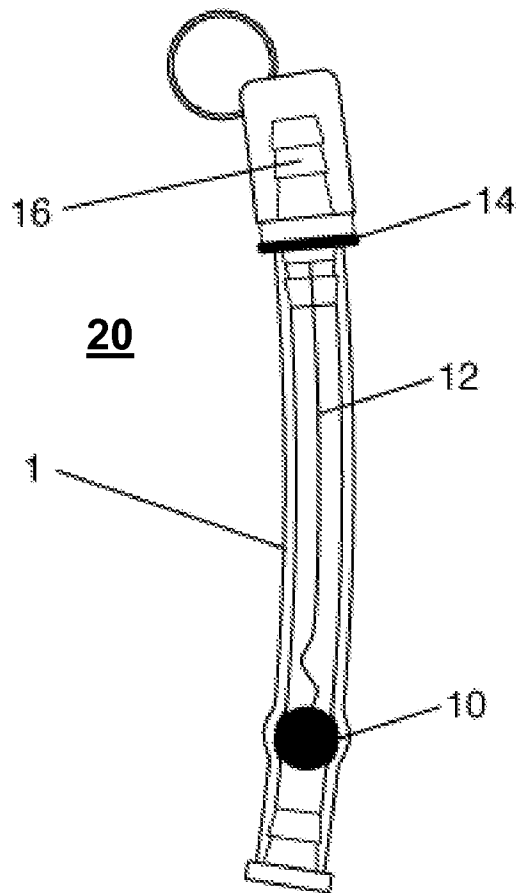
# FIGS. 9A-9F

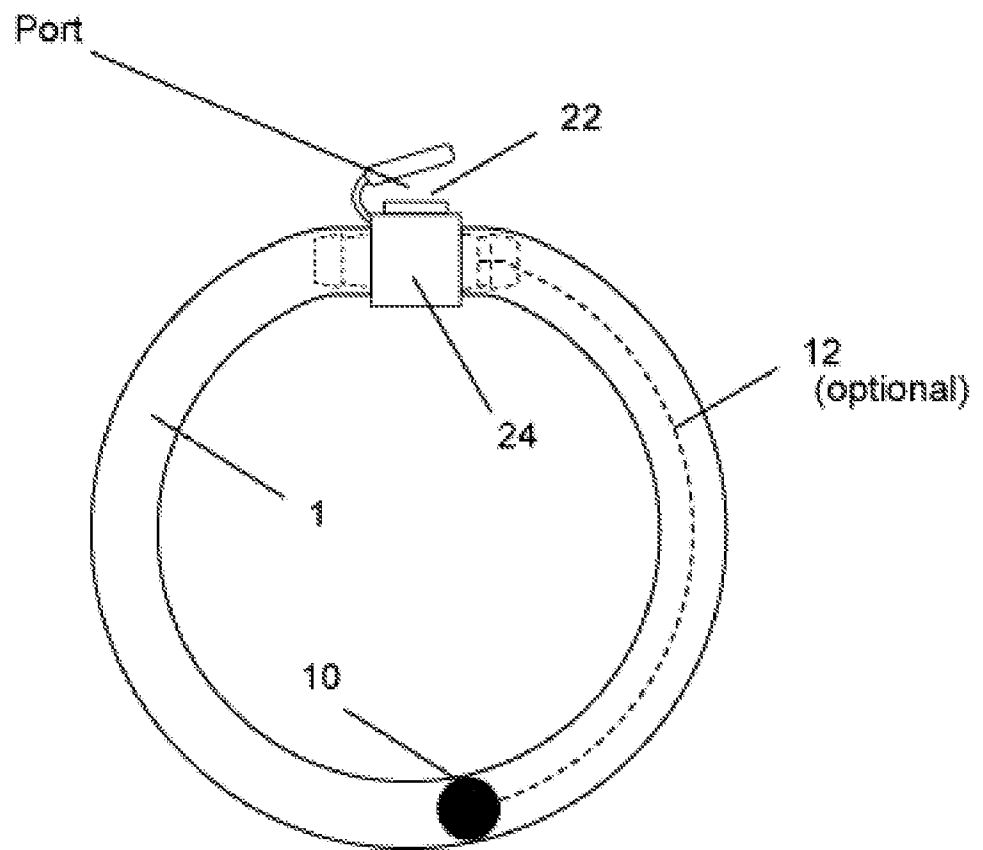


**FIG. 10**

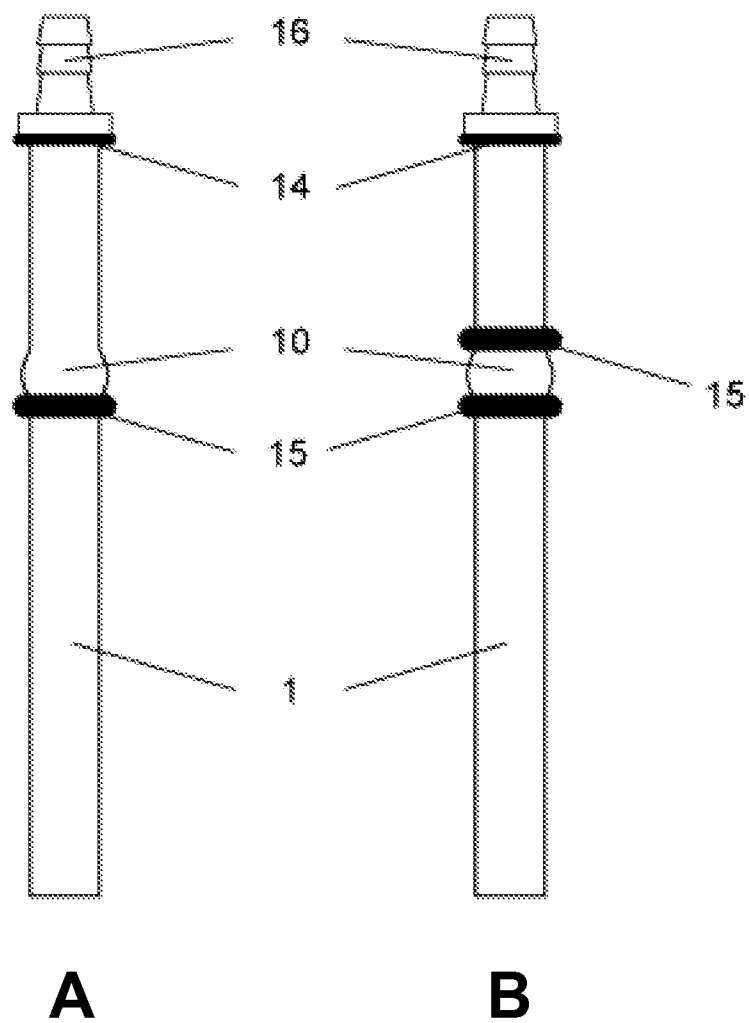


**FIG. 11**

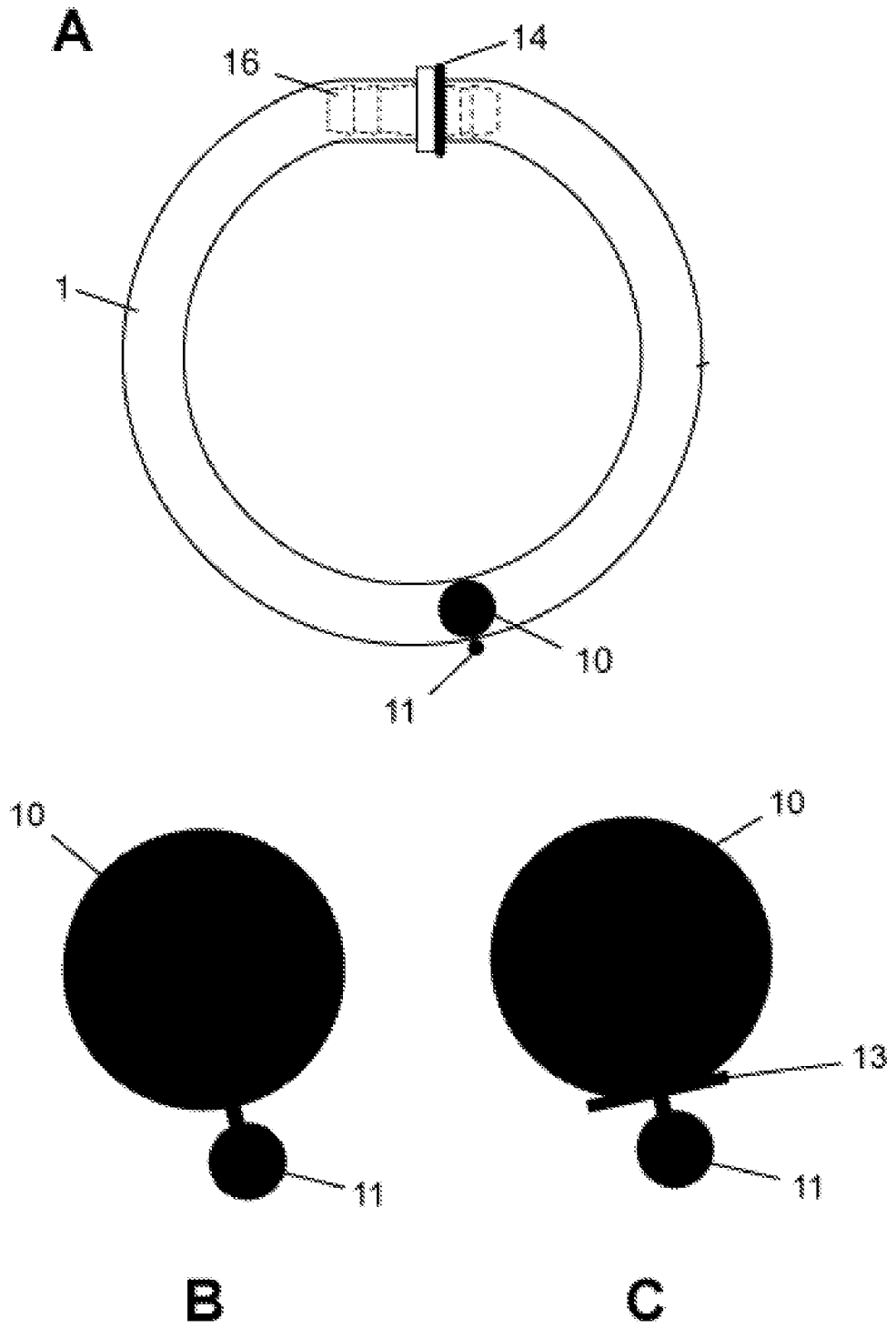




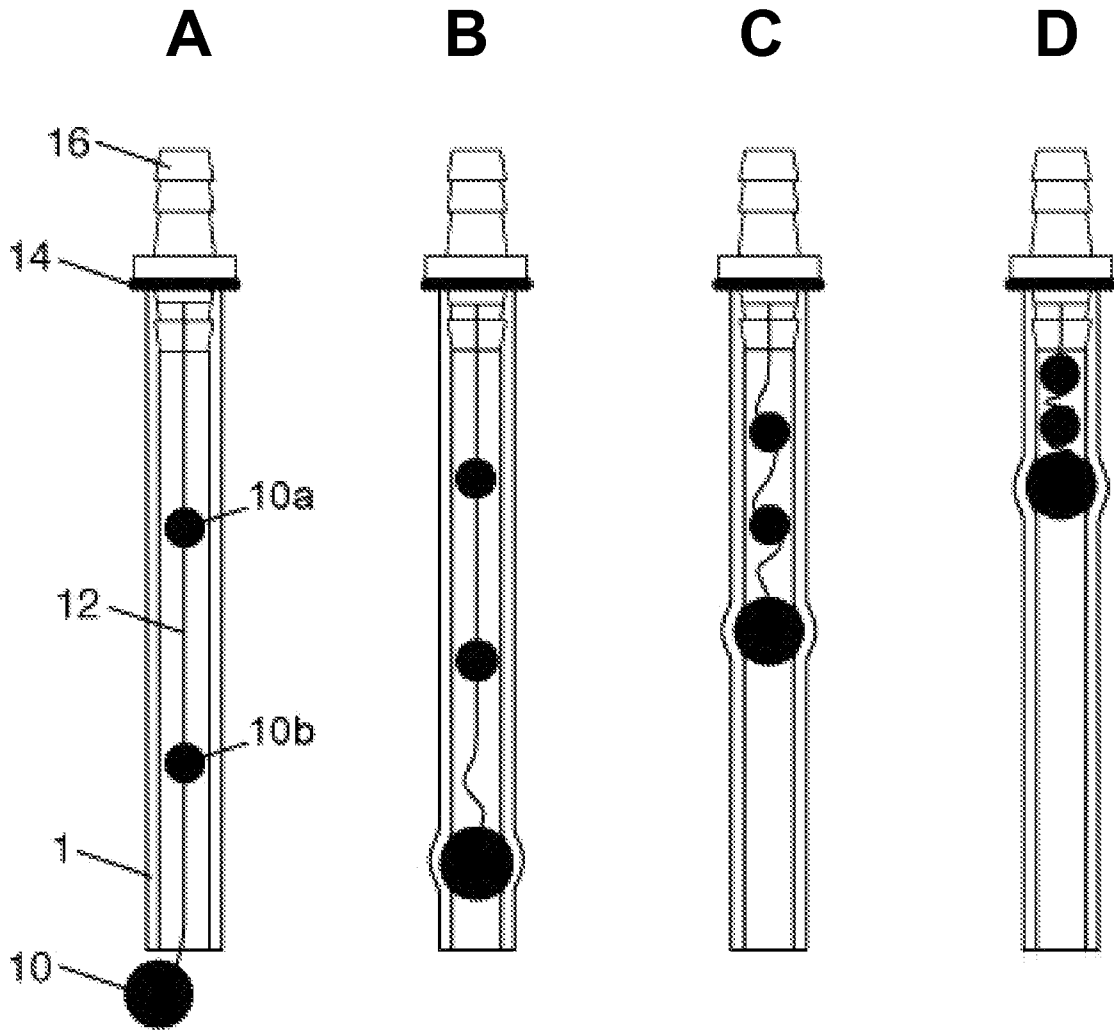
**FIG. 12**



**FIGS. 13A-13B**



**FIGS. 14A-14C**



**FIGS. 15A-15D**

FIG. 16

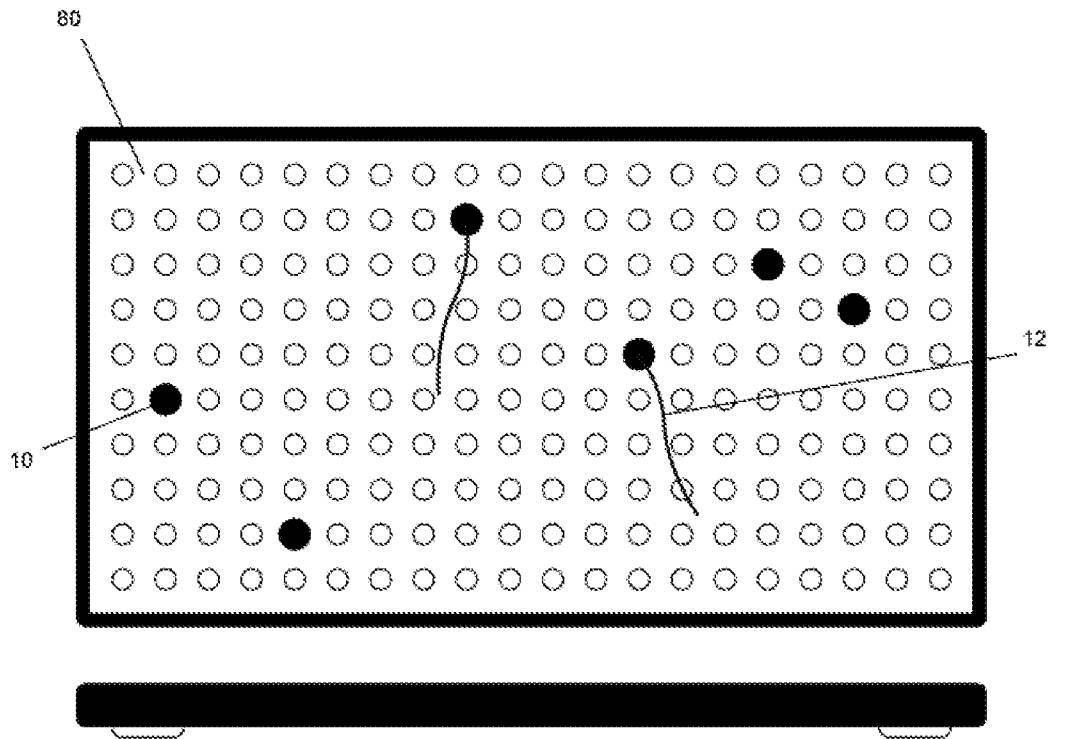


FIG. 17

