



US00D731013S

(12) **United States Design Patent**
Jackowiak

(10) **Patent No.:** **US D731,013 S**

(45) **Date of Patent:** **** Jun. 2, 2015**

(54) **SPORTS BALL CATCHER**

(71) Applicant: **Jeffrey Paul Jackowiak**, Granger, IN
(US)

(72) Inventor: **Jeffrey Paul Jackowiak**, Granger, IN
(US)

(**) Term: **14 Years**

(21) Appl. No.: **29/489,015**

(22) Filed: **Apr. 25, 2014**

(51) **LOC (10) Cl.** **21-02**

(52) **U.S. Cl.**
USPC **D21/699**

(58) **Field of Classification Search**
USPC D21/302, 303, 305, 306, 698, 699, 780,
D21/721; 473/421, 422, 431, 434, 435, 439,
473/451, 454, 455, 456, 462, 468, 476,
473/478; 273/317.6, 348, 371-374,
273/376-382, 398, 400-404, 407-410
CPC .. A63B 63/00; A63B 63/003; A63B 69/0002;
A63B 2069/0006; A63B 71/022; A63B
69/0097; A63B 2063/001; A63B 2243/0004
See application file for complete search history.

(56) **References Cited**

U.S. PATENT DOCUMENTS

1,142,184	A *	6/1915	Lawrence	473/454
3,312,467	A *	4/1967	Dawson	473/454
3,583,703	A *	6/1971	Brown et al.	473/456
4,254,952	A *	3/1981	Playter, Jr.	473/456
4,275,883	A *	6/1981	Grimaldi et al.	473/432
4,629,188	A *	12/1986	Mahieu	473/454

4,905,996	A *	3/1990	Tallent et al.	473/197
5,333,856	A *	8/1994	Gery	473/454
D350,569	S *	9/1994	Boteler	D21/780
5,573,240	A *	11/1996	Humboldt	473/454
D380,797	S *	7/1997	Schwan et al.	D21/699
6,551,205	B1 *	4/2003	Koelzer et al.	473/454
D578,166	S *	10/2008	Wiroll	D21/302
D597,155	S *	7/2009	Stemle	D21/699
8,540,593	B1 *	9/2013	Marnane	473/454
8,678,957	B1 *	3/2014	Essex	473/456
8,771,107	B1 *	7/2014	Ayala	473/456
2005/0288129	A1 *	12/2005	Lewis	473/454
2008/0073848	A1 *	3/2008	DeMille et al.	273/348
2008/0132361	A1 *	6/2008	Barber	473/439
2011/0224027	A1 *	9/2011	Edmondson	473/451
2014/0171230	A1 *	6/2014	Candello	473/456

* cited by examiner

Primary Examiner — Catherine Tuttle

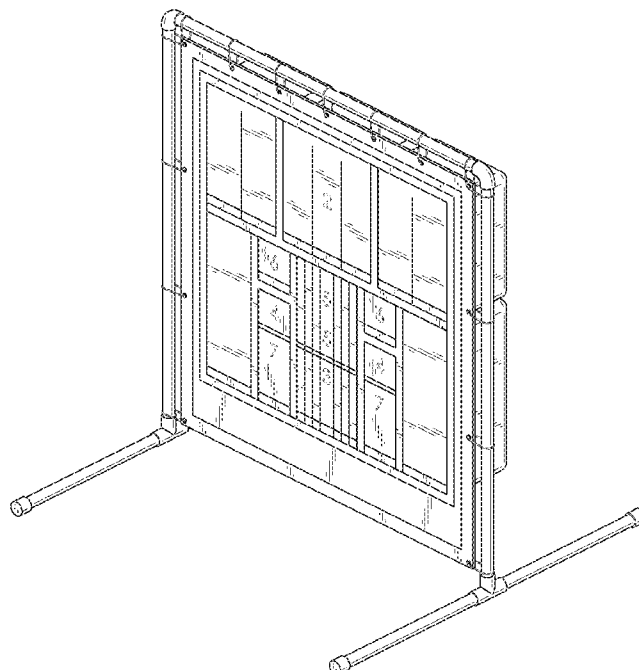
(57) **CLAIM**

The ornamental design for a sports ball catcher, as shown and described.

DESCRIPTION

FIG. 1 is a perspective front view of a sports ball catcher; FIG. 2 is a front elevation view of the sports ball catcher; FIG. 3 is a rear elevation view of the sports ball catcher; FIG. 4 is a left side elevation view of the sports ball catcher; the right side view being a mirror image thereof; FIG. 5 is a top plan view of the sports ball catcher; and FIG. 6 is a bottom plan view of the sports ball catcher. The numerals shown in broken lines in FIGS. 1 and 2 are for illustrative purposes only; and form no part of the claimed design.

1 Claim, 4 Drawing Sheets



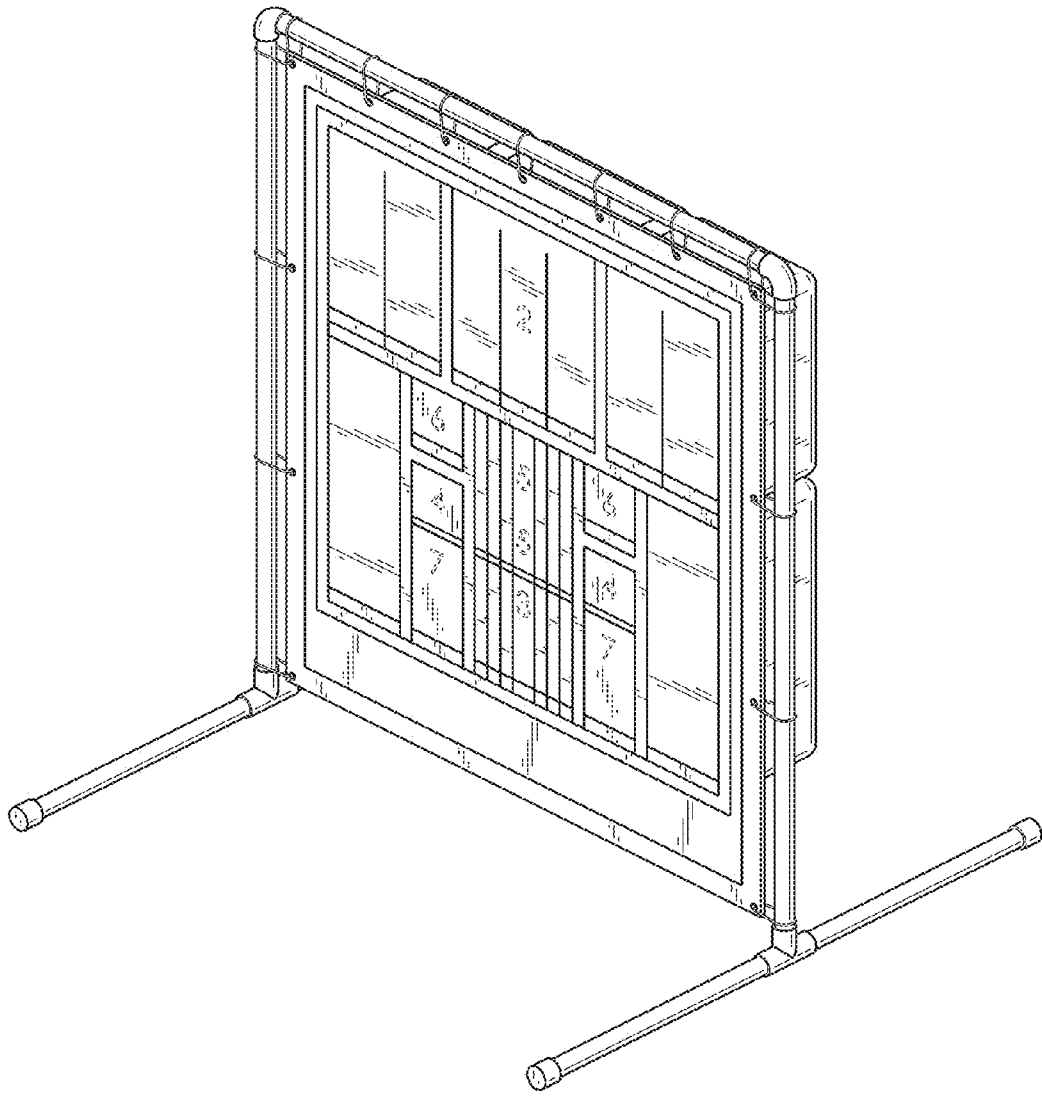


FIG. 1

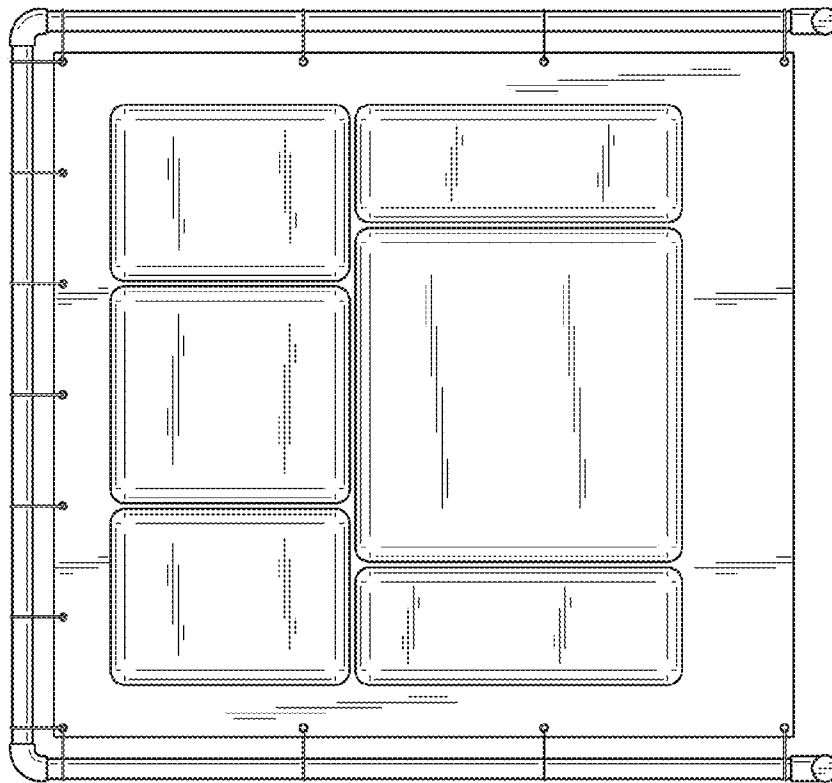


FIG. 3

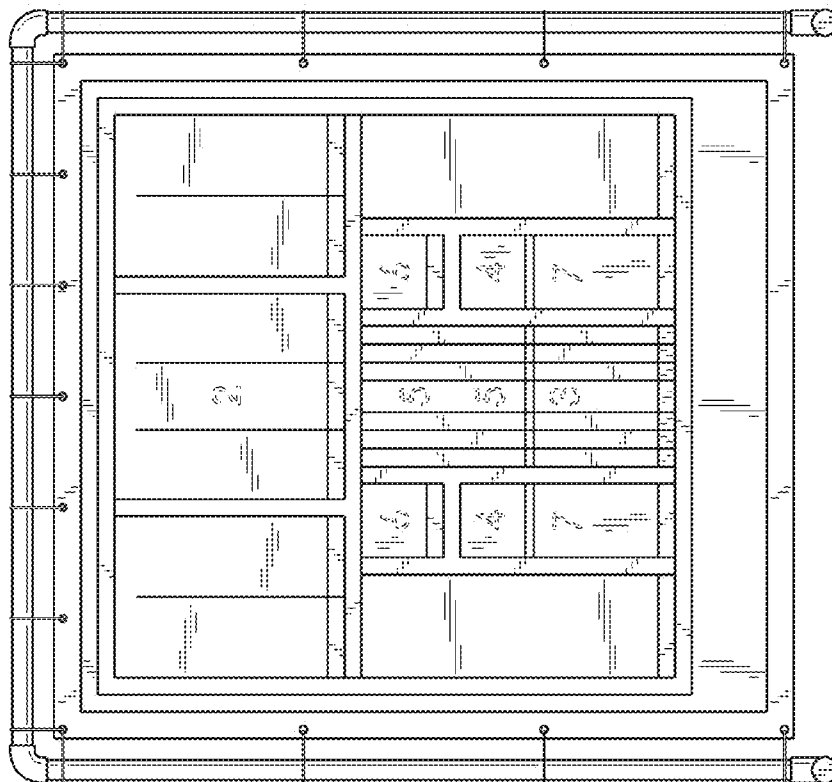


FIG. 2

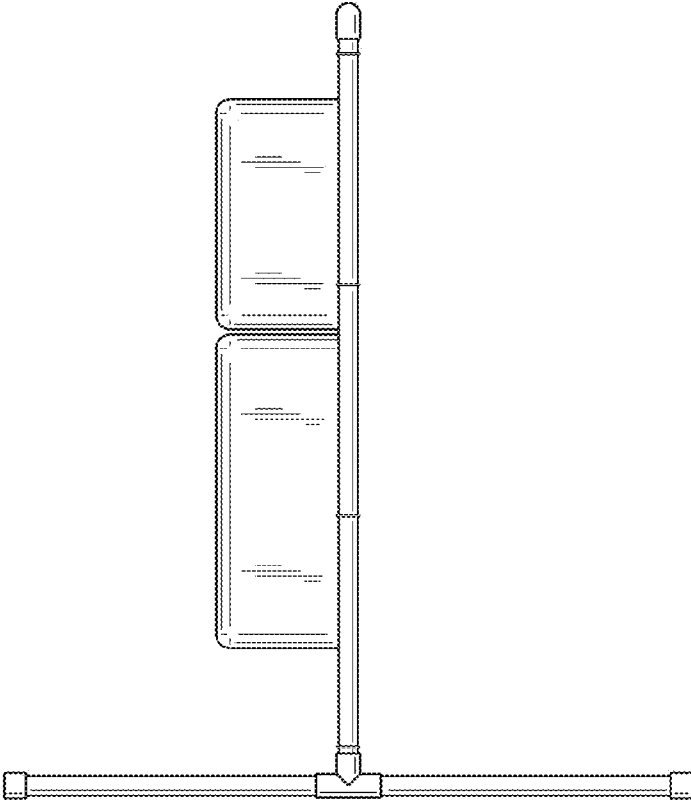


FIG. 4

FIG. 5

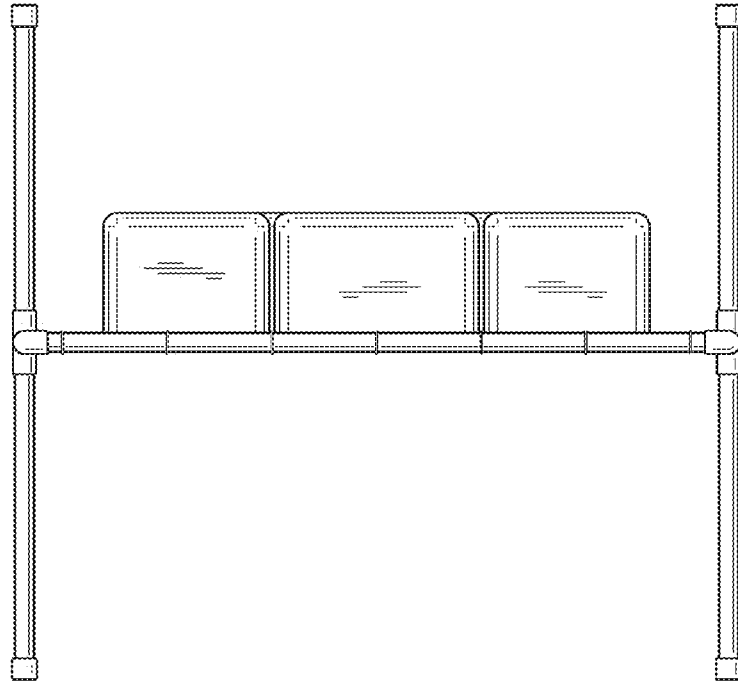


FIG. 6

