

(19) World Intellectual Property  
Organization  
International Bureau



(43) International Publication Date  
13 May 2004 (13.05.2004)

PCT

(10) International Publication Number  
WO 2004/040701 A3

(51) International Patent Classification<sup>7</sup>: H01R 25/00,  
27/02, 31/00, 33/88, 9/03

(21) International Application Number:  
PCT/US2003/034407

(22) International Filing Date: 29 October 2003 (29.10.2003)

(25) Filing Language: English

(26) Publication Language: English

(30) Priority Data:  
60/422,204 29 October 2002 (29.10.2002) US  
10/695,346 28 October 2003 (28.10.2003) US

(71) Applicant: FINISAR CORPORATION [US/US]; 1308  
Moffet Park Drive, Sunnyvale, CA 94089 (US).

(72) Inventors: HOFMEISTER, Rudolf, J.; 544 E. Evelyn  
Avenue, Sunnyvale, CA 94086 (US). BENCH, Samantha,  
R.; 555 Bootjack Lake Road, Whitefish, MT 59937 (US).

(74) Agents: ISRAEISEN, Burns, R. et al.; Workman Nydeg-  
ger, 1000 Eagle Gate Tower, 60 East South Temple, Salt  
Lake City, UT 84111 (US).

(81) Designated States (*national*): AE, AG, AL, AM, AT, AU,  
AZ, BA, BB, BG, BR, BY, BZ, CA, CH, CN, CO, CR, CU,  
CZ, DE, DK, DM, DZ, EC, EE, EG, ES, FI, GB, GD, GE,  
GH, GM, HR, HU, ID, IL, IN, IS, JP, KE, KG, KP, KR,  
KZ, LC, LK, LR, LS, LT, LU, LV, MA, MD, MG, MK,  
MN, MW, MX, MZ, NI, NO, NZ, OM, PG, PH, PL, PT,  
RO, RU, SC, SD, SE, SG, SK, SL, SY, TJ, TM, TN, TR,  
TT, TZ, UA, UG, UZ, VC, VN, YU, ZA, ZM, ZW.

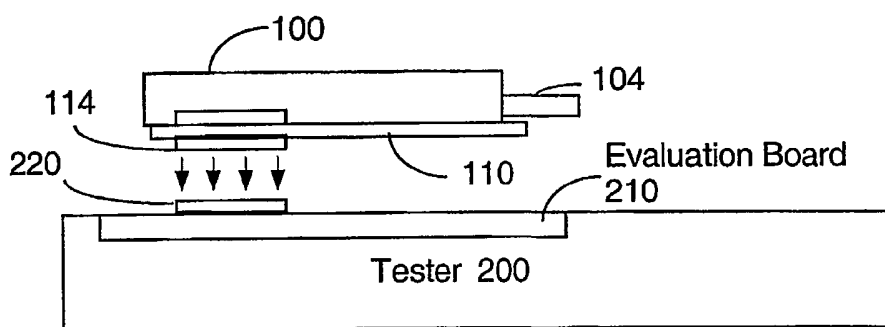
(84) Designated States (*regional*): ARIPO patent (GH, GM,  
KE, LS, MW, MZ, SD, SL, SZ, TZ, UG, ZM, ZW),  
Eurasian patent (AM, AZ, BY, KG, KZ, MD, RU, TJ, TM),  
European patent (AT, BE, BG, CH, CY, CZ, DE, DK, EE,  
ES, FI, FR, GB, GR, HU, IE, IT, LU, MC, NL, PT, RO,  
SE, SI, SK, TR), OAPI patent (BF, BJ, CF, CG, CI, CM,  
GA, GN, GQ, GW, ML, MR, NE, SN, TD, TG).

Published:  
— with international search report

(88) Date of publication of the international search report:  
8 December 2005

For two-letter codes and other abbreviations, refer to the "Guid-  
ance Notes on Codes and Abbreviations" appearing at the begin-  
ning of each regular issue of the PCT Gazette.

(54) Title: ELECTRICAL ADAPTER FOR PROTECTING ELECTRICAL INTERFACES



(57) Abstract: An electrical adapter is provided including a board having first and second planar surfaces, a male electrical socket coupled to the first planar surface of the printed circuit board and a female electrical socket coupled to the second planar surface of the printed circuit board. The board includes electrical connectors electrically coupling the male and female electrical sockets. The male electrical socket of the adapter is suitable for temporary connection to a female electrical interface of a first electrical device, and the female electrical socket is suitable for temporary connection to a male electrical interface of a second electrical device. The opposing socket is suitable for temporary connection to a printed circuit board. In one embodiment, the electrical device is an optoelectronic device.

WO 2004/040701 A3

**INTERNATIONAL SEARCH REPORT**

International application No.

PCT/US03/34407

**A. CLASSIFICATION OF SUBJECT MATTER**

IPC(7) : H01R 25/00, 27/02, 31/00, 33/88, 9/03  
 US CL : 439/638, 71

According to International Patent Classification (IPC) or to both national classification and IPC

**B. FIELDS SEARCHED**

Minimum documentation searched (classification system followed by classification symbols)  
 U.S. : 439/638, 71, 39, 12, 684

Documentation searched other than minimum documentation to the extent that such documents are included in the fields searched

Electronic data base consulted during the international search (name of data base and, where practicable, search terms used)  
 EAST

**C. DOCUMENTS CONSIDERED TO BE RELEVANT**

Category *	Citation of document, with indication, where appropriate, of the relevant passages	Relevant to claim No.
X	US 6,077,091 A (MCKENNA-OLSON et al) 20 June 2000 (20.06.2000), figures 3, 5-7.	1, 6-7
Y		9
Y	US 6,464,513 A (MOMENPOUR et al) 15 October 2002 (15.10.2002), fig. 5	9

Further documents are listed in the continuation of Box C.

See patent family annex.

\* Special categories of cited documents:

- "A" document defining the general state of the art which is not considered to be of particular relevance
- "E" earlier application or patent published on or after the international filing date
- "L" document which may throw doubts on priority claim(s) or which is cited to establish the publication date of another citation or other special reason (as specified)
- "O" document referring to an oral disclosure, use, exhibition or other means
- "P" document published prior to the international filing date but later than the priority date claimed

- "T" later document published after the international filing date or priority date and not in conflict with the application but cited to understand the principle or theory underlying the invention
- "X" document of particular relevance; the claimed invention cannot be considered novel or cannot be considered to involve an inventive step when the document is taken alone
- "Y" document of particular relevance; the claimed invention cannot be considered to involve an inventive step when the document is combined with one or more other such documents, such combination being obvious to a person skilled in the art
- "&" document member of the same patent family

Date of the actual completion of the international search

30 March 2005 (30.03.2005)

Date of mailing of the international search report

29 AUG 2005

Name and mailing address of the ISA/US

Mail Stop PCT, Attn: ISA/US  
 Commissioner for Patents  
 P.O. Box 1450  
 Alexandria, Virginia 22313-1450

Facsimile No. (703) 305-3230

Authorized officer

Michael C. Zarroli

Telephone No. 571-272-2101

DEBORAH A. THOMAS  
 PARALEGAL SPECIALIST  
 GROUP 1800

*DM*

# INTERNATIONAL SEARCH REPORT

International application No.

PCT/US03/34407

## Box I Observations where certain claims were found unsearchable (Continuation of Item 1 of first sheet)

This international report has not been established in respect of certain claims under Article 17(2)(a) for the following reasons:

1.  Claim Nos.:  
because they relate to subject matter not required to be searched by this Authority, namely:
  
2.  Claim Nos.:  
because they relate to parts of the international application that do not comply with the prescribed requirements to such an extent that no meaningful international search can be carried out, specifically:
  
3.  Claim Nos.:  
because they are dependent claims and are not drafted in accordance with the second and third sentences of Rule 6.4(a).

## Box II Observations where unity of invention is lacking (Continuation of Item 2 of first sheet)

This International Searching Authority found multiple inventions in this international application, as follows:  
Please See Continuation Sheet

1.  As all required additional search fees were timely paid by the applicant, this international search report covers all searchable claims.
  2.  As all searchable claims could be searched without effort justifying an additional fee, this Authority did not invite payment of any additional fee.
  3.  As only some of the required additional search fees were timely paid by the applicant, this international search report covers only those claims for which fees were paid, specifically claims Nos.:
  
  4.  No required additional search fees were timely paid by the applicant. Consequently, this international search report is restricted to the invention first mentioned in the claims; it is covered by claims Nos.: 1-9
- Remark on Protest  The additional search fees were accompanied by the applicant's protest.  
 No protest accompanied the payment of additional search fees.

**BOX II. OBSERVATIONS WHERE UNITY OF INVENTION IS LACKING**

Claims 1-9, drawn to an electric adapter.

Claims 10-21, drawn to a method of testing. The inventions listed as Groups 1 & 2 do not relate to a single general inventive concept under PCT Rule 13.1 because, under PCT Rule 13.2, they lack the same or corresponding special technical features for the following reasons: The adapter as claimed could be used as an electric connection between many different types of components; e.g. circuit board and chip. Testing method is not any type of prerequisite. Therefore, a different search in different classes would be required for each group.