



US00D529313S

(12) **United States Design Patent**
Nomoto

(10) **Patent No.:** **US D529,313 S**

(45) **Date of Patent:** **** Oct. 3, 2006**

- (54) **GOODS DISPLAY STAND**
- (75) Inventor: **Tatsuaki Nomoto**, Chuo-ku (JP)
- (73) Assignee: **Kawajun Co., LTD**, Tokyo (JP)
- (**) Term: **14 Years**
- (21) Appl. No.: **29/254,776**
- (22) Filed: **Mar. 1, 2006**

D278,671 S	*	5/1985	Sandy	D6/474
D296,630 S	*	7/1988	Renold et al.	D6/468
D325,849 S	*	5/1992	Melcher	D6/468
5,485,928 A	*	1/1996	Felton	211/52
D399,366 S	*	10/1998	Stravitz	D6/407
D404,220 S	*	1/1999	Stravitz	D6/407
D407,994 S	*	4/1999	Adinolfi et al.	D6/474
D411,070 S	*	6/1999	Jongwatana	D6/630
6,082,553 A	*	7/2000	Stravitz	211/40

* cited by examiner

Related U.S. Application Data

(62) Division of application No. 29/205,811, filed on May 21, 2004.

(30) **Foreign Application Priority Data**

Nov. 27, 2003	(JP)	2003-035256
Nov. 27, 2003	(JP)	2003-035257

(51) **LOC (8) Cl.** **06-04**

(52) **U.S. Cl.** **D6/474**

(58) **Field of Classification Search** D6/407,
D6/629, 630, 460, 461, 468, 474, 477-479;
108/59, 91, 92, 96, 161; 211/40, 41.12, 42,
211/49.1, 50, 71.01, 87.01, 90.04, 119.003,
211/134, 153, 190; 312/9.1, 9.2, 9.64, 9.8,
312/7.2; 206/307, 308.1

See application file for complete search history.

(56) **References Cited**

U.S. PATENT DOCUMENTS

3,948,191 A	*	4/1976	Hatherley	108/92
D242,890 S	*	1/1977	Hillman et al.	D6/473
D256,199 S	*	8/1980	Burke et al.	D6/474

Primary Examiner—Cathron C. Brooks
(74) *Attorney, Agent, or Firm*—Oblon, Spivak, McClelland, Maier & Neustadt, P.C.

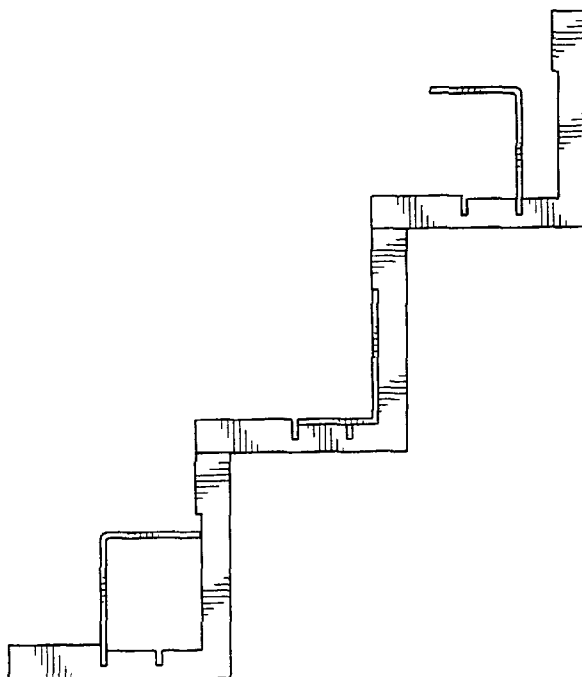
(57) **CLAIM**

The ornamental design for a goods display stand, as shown and described.

DESCRIPTION

FIG. 1 is a top, front and right side perspective view of the goods display stand, showing my design;
 FIG. 2 is a front elevational view thereof;
 FIG. 3 is a rear elevational view thereof;
 FIG. 4 is a right side elevational view thereof, the left side elevational view being a mirror image of the side view shown;
 FIG. 5 is a top plan view thereof;
 FIG. 6 is a bottom plan view thereof; and,
 FIG. 7 is a top, front and right side elevational view thereof shown when in use.
 The broken line showing of articles on the goods display stand shown in FIG. 7 is for illustrative purposes only and forms no part of the claimed design.

1 Claim, 4 Drawing Sheets



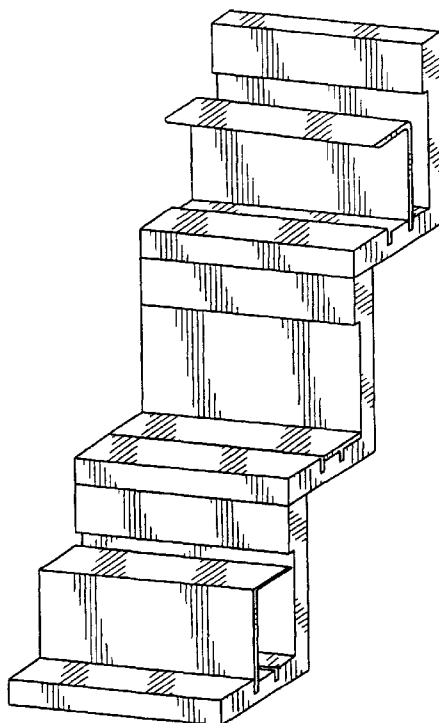


Fig. 1

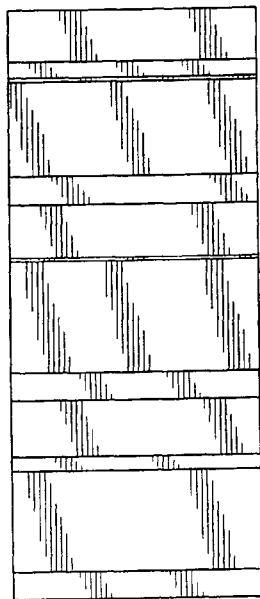


Fig. 2

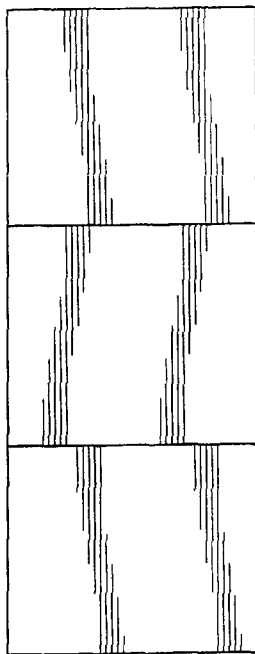


Fig. 3

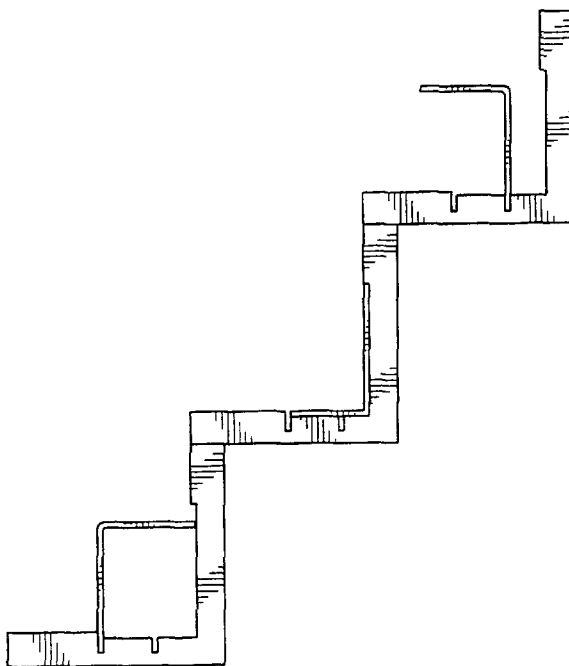


Fig. 4

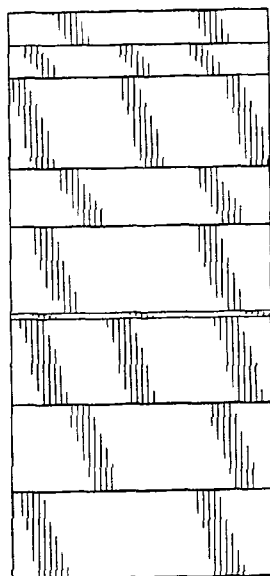


Fig. 5

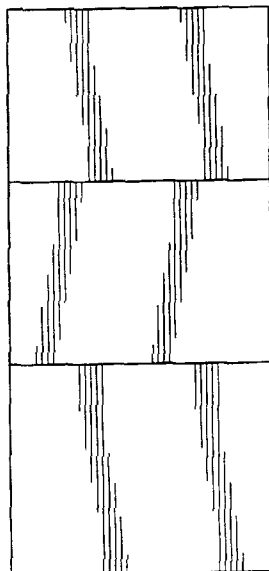


Fig. 6

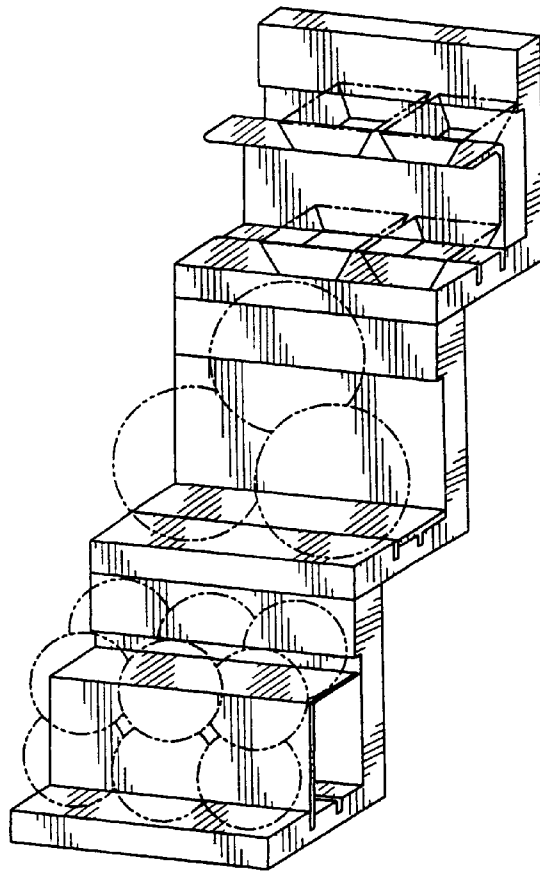


Fig. 7