



US00D458239S

(12) **United States Design Patent**
Shim et al.

(10) **Patent No.:** **US D458,239 S**

(45) **Date of Patent:** **** Jun. 4, 2002**

(54) **TELEPHONE HANDSET HOUSING**

(75) Inventors: **Jae H. Shim**, San Jose; **Jeff R. Lind**,
Livermore, both of CA (US)

(73) Assignee: **Mobigence, Inc.**, San Jose, CA (US)

(**) Term: **14 Years**

(21) Appl. No.: **29/140,309**

(22) Filed: **Apr. 10, 2001**

(51) **LOC (7) Cl.** **14-03**

(52) **U.S. Cl.** **D14/138; D14/341**

(58) **Field of Search** D14/137, 138,
D14/218, 147-148, 247-248, 144, 130,
341-347; 379/433.01-433.13, 419, 434,
428.01-428.04, 420.01-420.04, 440, 900;
455/550-575, 90; D21/239

(56) **References Cited**

U.S. PATENT DOCUMENTS

D309,301 S	*	7/1990	Soren et al.	D14/138
D312,628 S	*	12/1990	Yokoi et al.	D14/100
D332,833 S	*	1/1993	Lauks et al.	D24/186
D340,452 S	*	10/1993	Skowronski	D14/148
D359,920 S	*	7/1995	Sakamoto	D10/65
D376,989 S	*	12/1996	McCain	D10/78
D381,020 S	*	7/1997	Harden et al.	D14/138
D385,875 S	*	11/1997	Harris et al.	D14/138
D390,509 S	*	2/1998	Antzinas et al.	D14/138
D395,250 S	*	6/1998	Kabler et al.	D10/65
D402,572 S	*	12/1998	Han	D10/65
D419,993 S	*	2/2000	Silzer, Jr.	D14/138
D420,351 S	*	2/2000	Waldner	D14/138

D422,595 S	*	4/2000	Taylor et al.	D14/240
D424,060 S	*	5/2000	Baker et al.	D14/218
D432,511 S	*	10/2000	Eckholm	D14/138
D433,017 S	*	10/2000	Martinez	D14/346
6,128,515 A	*	10/2000	Kabler et al.	455/566
D433,670 S	*	11/2000	Lohrding et al.	D14/138
6,191,743 B1	*	2/2001	Jones et al.	343/702
D441,733 S	*	5/2001	Do et al.	D14/138
6,282,433 B1	*	8/2001	Holshouser	455/556

* cited by examiner

Primary Examiner—Jeffrey Asch

(74) *Attorney, Agent, or Firm*—John F. Schipper

(57) **CLAIM**

The ornamental design for a telephone handset housing, as shown.

DESCRIPTION

FIG. 1 is a front, bottom and right side perspective view of a telephone handset housing for a telephone handset showing our new design.

FIG. 2 is a rear, bottom, and left side perspective view thereof.

FIG. 3 is a right side view thereof.

FIG. 4 is a front elevational plan view thereof.

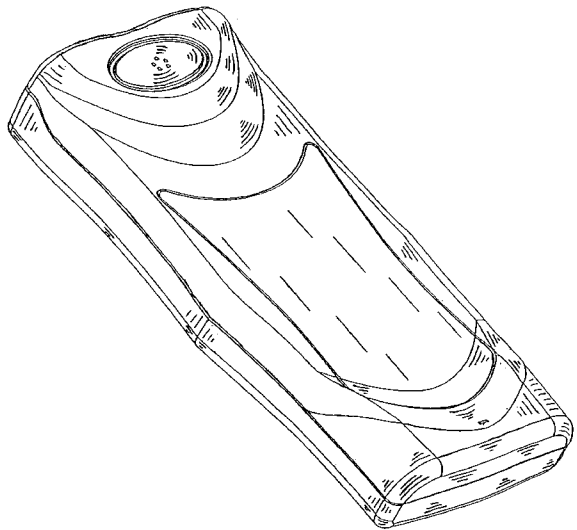
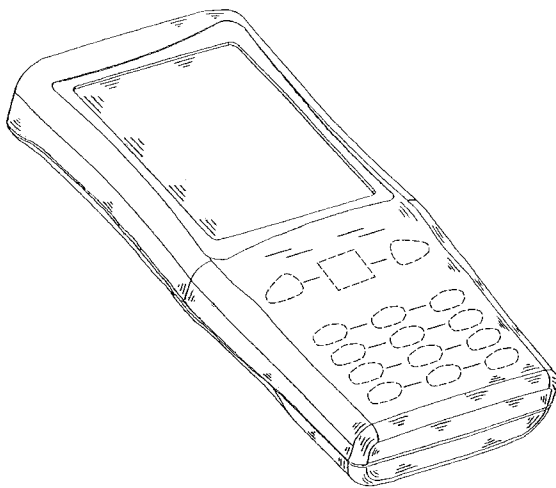
FIG. 5 is a bottom view thereof.

FIG. 6 is a rear elevational view thereof; and,

FIG. 7 is a top plan view thereof.

The broken line showings of FIGS. 1, 3, and 4 are for illustrative purposes only and form no part of the claimed design.

1 Claim, 4 Drawing Sheets



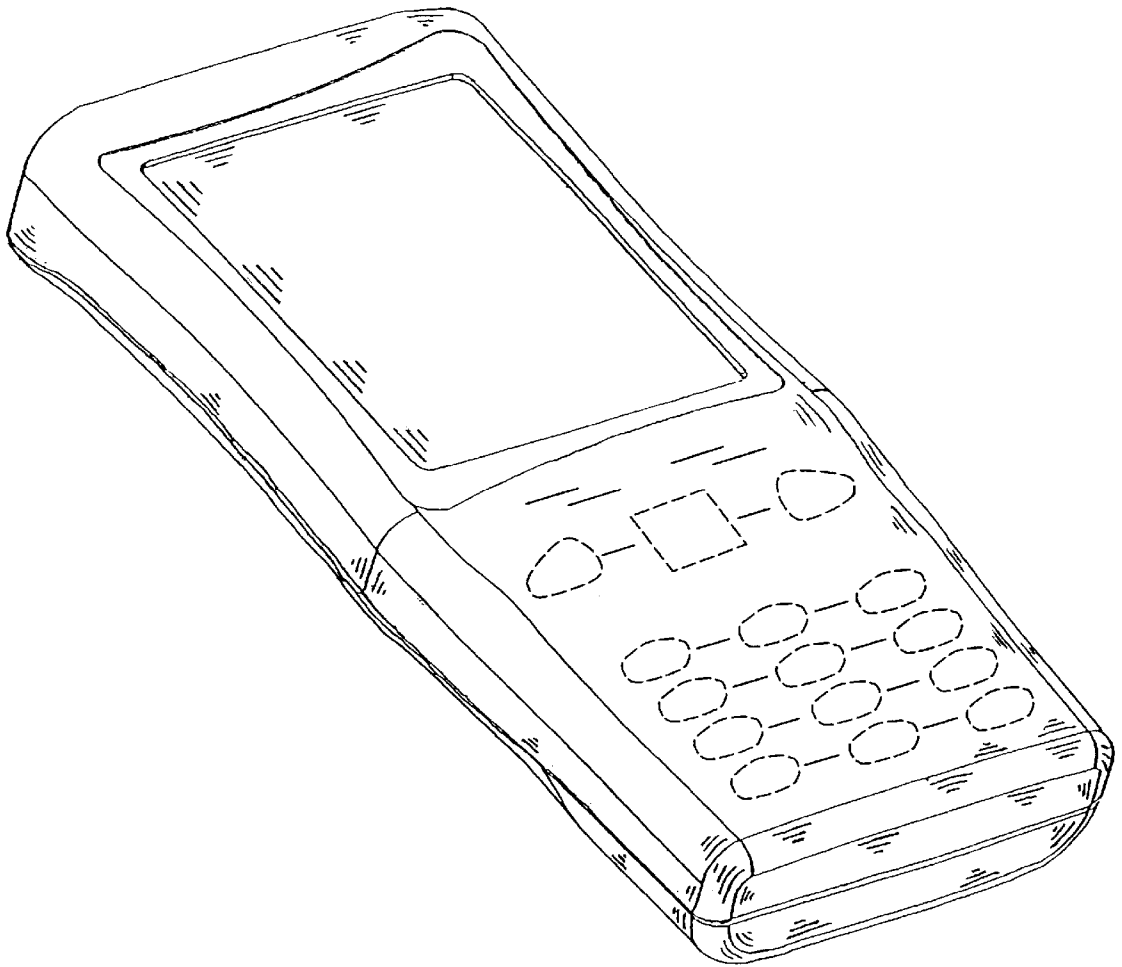


FIG. 1

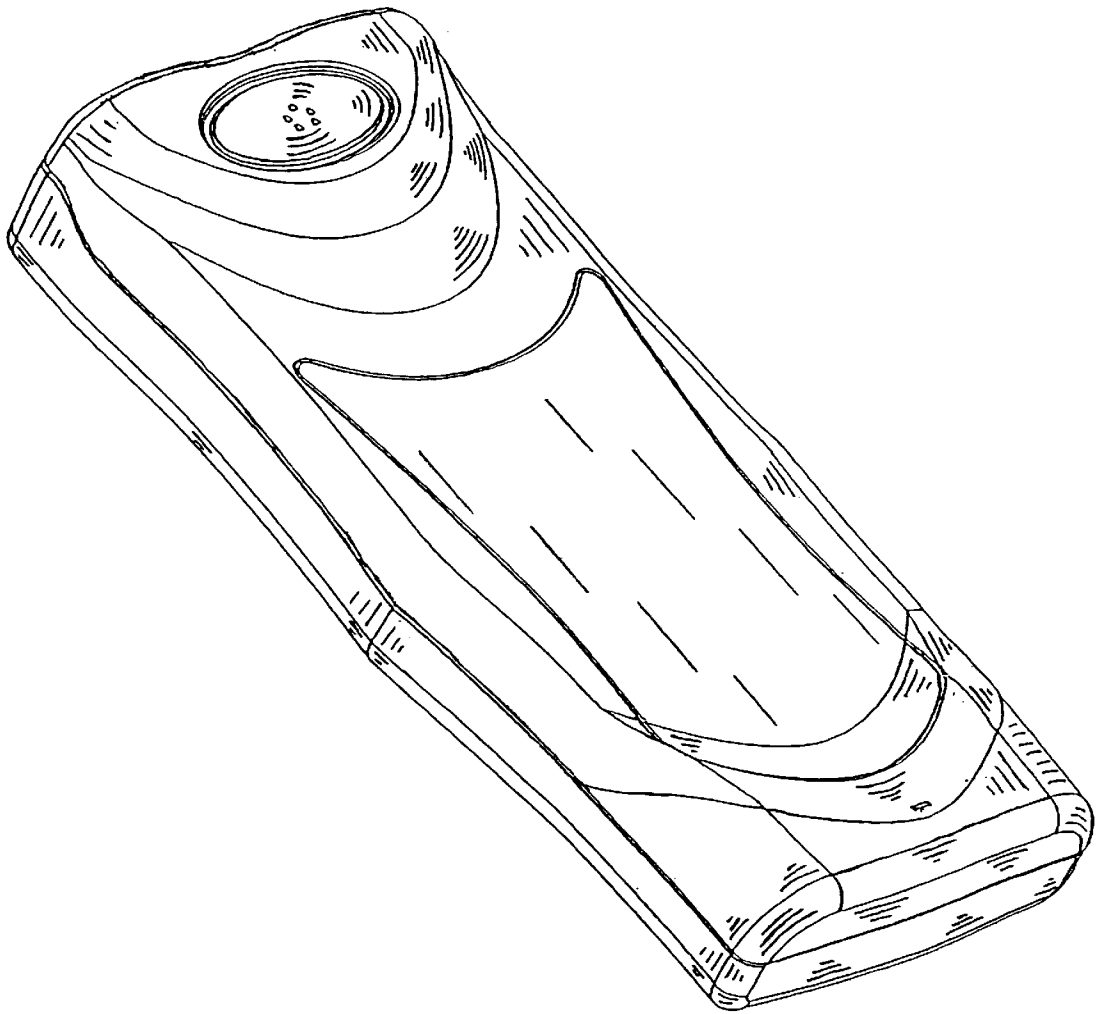


FIG. 2

FIG. 3

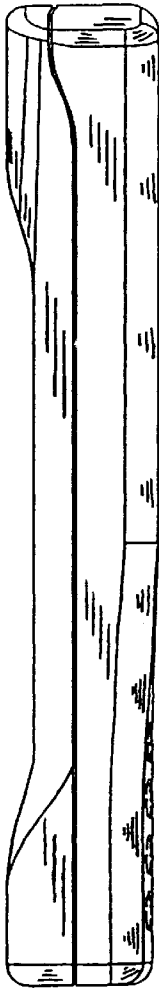


FIG. 4

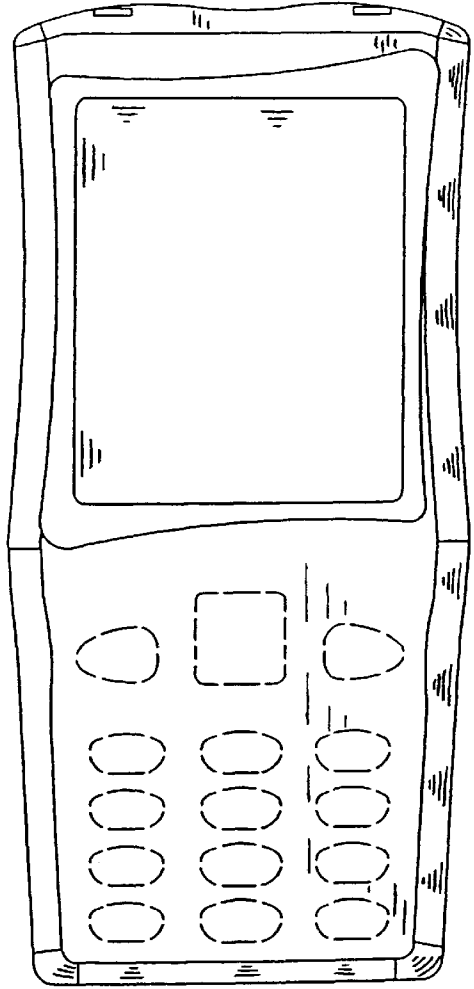


FIG. 5

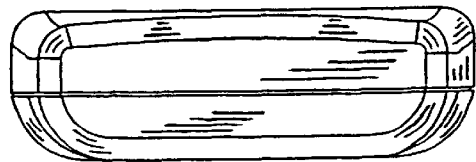


FIG. 6

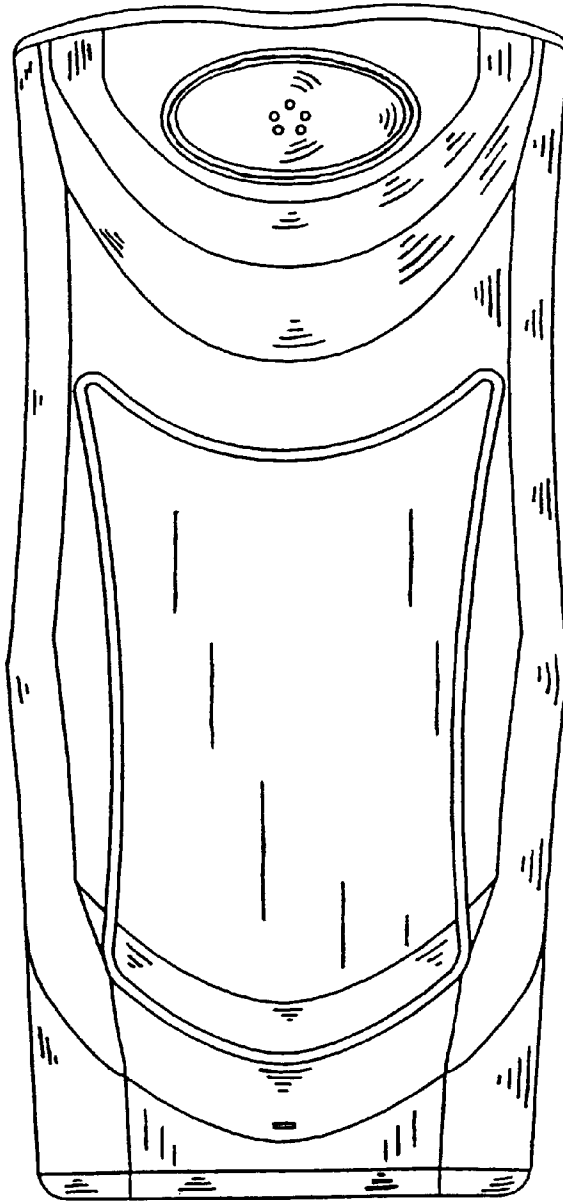


FIG. 7

