



US00D788698S

(12) **United States Design Patent**
Lin

(10) **Patent No.:** **US D788,698 S**

(45) **Date of Patent:** **** Jun. 6, 2017**

(54) **RECHARGEABLE BATTERY DEVICE**

(71) Applicant: **Limefuel, LLC**, Boulder, CO (US)

(72) Inventor: **Paul Lin**, Boulder, CO (US)

(73) Assignee: **LIMEFUEL, LLC**, Boulder, CO (US)

(**) Term: **14 Years**

(21) Appl. No.: **29/517,938**

(22) Filed: **Feb. 18, 2015**

(51) **LOC (10) Cl.** **13-02**

(52) **U.S. Cl.**
USPC **D13/103**

(58) **Field of Classification Search**

USPC D13/102-104, 110, 118-121, 184, 199;
429/96-100, 163, 176
CPC Y02E 60/12; Y02E 60/122; Y02E 60/124;
Y02E 60/50; H01M 2/02; H01M 2/022;
H01M 2/0202; H01M 2/0207; H01M
2/0212; H01M 2/1061; H01M 2/1022;
H01M 2/1055; H01M 2/1066; H01M
2/105; H01M 2/204; H01M 10/4257;
H01M 10/0436; H01M 10/48

See application file for complete search history.

(56) **References Cited**

U.S. PATENT DOCUMENTS

| | | | |
|--------------|---------|--------------------|---------|
| D311,373 S | 10/1990 | Morisse et al. | |
| D320,212 S | 9/1991 | Someya | |
| D357,896 S * | 5/1995 | Berry | D13/103 |
| D363,056 S | 10/1995 | Vinciarelli et al. | |
| D375,933 S * | 11/1996 | Kao | D13/103 |
| D382,536 S | 8/1997 | Amero, Jr. | |
| D409,136 S * | 5/1999 | Sumita | D13/103 |
| D409,623 S | 5/1999 | Bianco | |
| D419,131 S * | 1/2000 | Andrews | D13/103 |
| D438,169 S * | 2/2001 | Minagawa | D13/103 |
| 6,394,343 B1 | 5/2002 | Berg et al. | |
| 6,406,811 B1 | 6/2002 | Hall et al. | |

| | | | |
|----------------|---------|--------------------|------------------------|
| 6,499,190 B2 | 12/2002 | Ruiz Rodriguez | |
| D468,720 S | 1/2003 | Birkholz | |
| 6,617,063 B1 * | 9/2003 | Ohnishi | G06F 1/1616 429/122 |
| D496,906 S * | 10/2004 | Vinciarelli | D13/110 |
| D506,438 S | 6/2005 | Vinciarelli et al. | |
| D509,472 S | 9/2005 | Vinciarelli et al. | |
| D517,476 S | 3/2006 | Green | |
| D524,242 S | 7/2006 | Adams et al. | |
| D531,134 S | 10/2006 | Nielsen et al. | |
| D580,953 S | 11/2008 | Andre et al. | |
| D593,489 S | 6/2009 | Yang | |
| D611,407 S | 3/2010 | Webb | |

(Continued)

OTHER PUBLICATIONS

Notice of Allowance for U.S. Appl. No. 29/548,448, mailed Jun. 27, 2016 9 pages.

(Continued)

Primary Examiner — Rosemary K Tarcza
(74) *Attorney, Agent, or Firm* — Sheridan Ross P.C.

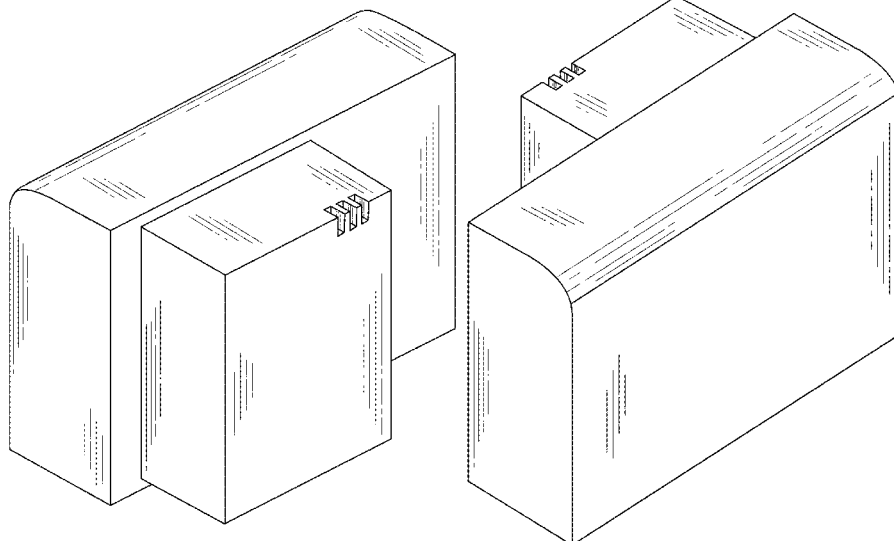
(57) **CLAIM**

The ornamental design for a rechargeable battery device, as shown and described.

DESCRIPTION

FIG. 1 is a front perspective view of a rechargeable battery device;
FIG. 2 is a rear perspective view thereof;
FIG. 3 is a rear elevation view thereof;
FIG. 4 is a front elevation view thereof;
FIG. 5 is a right elevation view thereof;
FIG. 6 is a left elevation view thereof;
FIG. 7 is a bottom plan view thereof;
FIG. 8 is a top plan view thereof;
FIG. 9 is a front perspective view thereof; and,
FIG. 10 is a rear perspective view thereof.

1 Claim, 10 Drawing Sheets



(56)

References Cited

OTHER PUBLICATIONS

U.S. PATENT DOCUMENTS

| | | | | |
|--------------|-----|---------|--------------------|------------------------|
| D629,365 | S | 12/2010 | Garcia De Vicuna | |
| D662,044 | S | 6/2012 | Lemelman et al. | |
| D669,427 | S | 10/2012 | Ignor et al. | |
| 8,361,645 | B2* | 1/2013 | Kim | H01M 2/0404 429/121 |
| D678,187 | S * | 3/2013 | Huang | D13/103 |
| D682,778 | S | 5/2013 | Baumgartner et al. | |
| D684,926 | S | 6/2013 | Murchison | |
| D685,319 | S | 7/2013 | Ignor et al. | |
| D689,019 | S * | 9/2013 | Sato | D13/103 |
| D700,139 | S * | 2/2014 | Chan | D13/103 |
| 8,658,294 | B2* | 2/2014 | Jang | H01M 2/1061 429/61 |
| D705,782 | S | 5/2014 | McParland et al. | |
| D708,571 | S * | 7/2014 | Ji | D13/103 |
| D709,440 | S * | 7/2014 | Kwon | D13/103 |
| D709,441 | S * | 7/2014 | Kwon | D13/103 |
| D709,442 | S * | 7/2014 | Kwon | D13/103 |
| D709,443 | S * | 7/2014 | Kwon | D13/103 |
| D711,311 | S | 8/2014 | Corbin et al. | |
| D712,346 | S * | 9/2014 | Kwon | D13/103 |
| D712,825 | S * | 9/2014 | Kwon | D13/103 |
| D715,219 | S | 10/2014 | Cepress et al. | |
| D716,221 | S * | 10/2014 | Kwon | D13/103 |
| D716,222 | S * | 10/2014 | Kwon | D13/103 |
| D716,722 | S * | 11/2014 | Kwon | D13/103 |
| D719,087 | S | 12/2014 | Bataillou et al. | |
| D724,019 | S * | 3/2015 | Kwon | D13/103 |
| D724,020 | S | 3/2015 | Kwon et al. | |
| D724,528 | S | 3/2015 | Kwon et al. | |
| D724,529 | S * | 3/2015 | Kwon | D13/103 |
| D724,530 | S * | 3/2015 | Kwon | D13/103 |
| D724,533 | S | 3/2015 | Kwon et al. | |
| D725,590 | S | 3/2015 | Clyne et al. | |
| D727,254 | S * | 4/2015 | Kinoshita | D13/103 |
| 8,999,536 | B2* | 4/2015 | Kwag | H01M 2/204 429/7 |
| D729,727 | S * | 5/2015 | Lin | D13/103 |
| D731,419 | S | 6/2015 | Kao et al. | |
| D733,051 | S | 6/2015 | Wang | |
| D742,312 | S | 11/2015 | Gupta et al. | |
| D743,329 | S | 11/2015 | Aiken et al. | |
| D743,333 | S | 11/2015 | Nomi | |
| 9,214,651 | B1 | 12/2015 | Ahn et al. | |
| 9,214,671 | B2 | 12/2015 | Saruwatari et al. | |
| 9,219,257 | B2 | 12/2015 | Yamaguchi et al. | |
| 9,224,516 | B2 | 12/2015 | Nelson et al. | |
| 9,231,236 | B2 | 1/2016 | Koh | |
| 9,231,238 | B2 | 1/2016 | Noda et al. | |
| 9,263,744 | B2 | 2/2016 | Yamamoto et al. | |
| D751,499 | S * | 3/2016 | Phillips | D13/103 |
| D751,981 | S * | 3/2016 | Lin | D13/103 |
| D751,982 | S * | 3/2016 | Lin | D13/103 |
| D751,983 | S * | 3/2016 | Lin | D13/103 |
| D751,984 | S * | 3/2016 | Lin | D13/103 |
| D752,509 | S * | 3/2016 | Lin | D13/103 |
| D752,510 | S * | 3/2016 | Lin | D13/103 |
| 2009/0098443 | A1 | 4/2009 | Yamamoto et al. | |
| 2011/0117418 | A1 | 5/2011 | Meintschel | |
| 2013/0202932 | A1 | 8/2013 | Song et al. | |
| 2014/0072850 | A1 | 3/2014 | Kwon | |
| 2015/0288021 | A1 | 10/2015 | Kwon | |
| 2015/0318579 | A1 | 11/2015 | Kwon | |
| 2015/0380715 | A1 | 12/2015 | Ahn | |
| 2016/0013680 | A1 | 1/2016 | Liang | |
| 2016/0036012 | A1 | 2/2016 | Kreitman | |
| 2016/0072154 | A1 | 3/2016 | Kim | |
| 2016/0079635 | A1 | 3/2016 | Niwa | |
| 2016/0093837 | A1 | 3/2016 | Bushnell | |
| 2016/0104919 | A1 | 4/2016 | Arishima | |

Notice of Allowance for U.S. Appl. No. 29/548,450, mailed Jun. 28, 2016 9 pages.

Notice of Allowance for U.S. Appl. No. 29/548,453, mailed Jun. 17, 2016 9 pages.

Notice of Allowance for U.S. Appl. No. 29/548,457, mailed Jun. 16, 2016 9 pages.

Notice of Allowance for U.S. Appl. No. 29/548,458, mailed Jun. 28, 2016 9 pages.

Notice of Allowance for U.S. Appl. No. 29/548,459, mailed Jun. 20, 2016 9 pages.

Notice of Allowance for U.S. Appl. No. 29/548,461, mailed Jun. 20, 2016 9 pages.

Notice of Allowance for U.S. Appl. No. 29/548,460, mailed Jun. 27, 2016 9 pages.

Notice of Allowance for U.S. Appl. No. 29/548,463, mailed Jun. 20, 2016 9 pages.

U.S. Appl. No. 29/479,883, filed Jan. 21, 2014, Lin.

U.S. Appl. No. 29/491,238, filed May 19, 2014, Lin.

U.S. Appl. No. 29/502,977, filed Sep. 22, 2014, Lin.

U.S. Appl. No. 29/502,983, filed Sep. 22, 2014, Lin.

U.S. Appl. No. 29/502,985, filed Sep. 22, 2014, Lin.

U.S. Appl. No. 29/502,986, filed Sep. 22, 2014, Lin.

U.S. Appl. No. 29/502,988, filed Sep. 22, 2014, Lin.

U.S. Appl. No. 29/502,990, filed Sep. 22, 2014, Lin.

U.S. Appl. No. 29/514,954, filed Jan. 19, 2015, Lin.

U.S. Appl. No. 29/517,939, filed Feb. 18, 2015, Lin.

U.S. Appl. No. 29/518,222, filed Feb. 20, 2015, Lin.

Notice of Allowance for U.S. Appl. No. 29/491,238, mailed Jan. 5, 2015, 8 pages.

Notice of Allowance for U.S. Appl. No. 29/479,883, mailed Jan. 21, 2015 6 pages.

U.S. Appl. No. 29/548,448, filed Dec. 14, 2015.

U.S. Appl. No. 29/548,450, filed Dec. 14, 2015.

U.S. Appl. No. 29/548,453, filed Dec. 14, 2015.

U.S. Appl. No. 29/548,457, filed Dec. 14, 2015.

U.S. Appl. No. 29/548,458, filed Dec. 14, 2015.

U.S. Appl. No. 29/548,459, filed Dec. 14, 2015.

U.S. Appl. No. 29/548,460, filed Dec. 14, 2015.

U.S. Appl. No. 29/548,461, filed Dec. 14, 2015.

U.S. Appl. No. 29/548,463, filed Dec. 14, 2015.

U.S. Appl. No. 29/479,883, filed Jan. 21, 2014.

U.S. Appl. No. 29/491,238, filed May 19, 2014.

U.S. Appl. No. 29/502,977, filed Sep. 22, 2014.

U.S. Appl. No. 29/502,983, filed Sep. 22, 2014.

U.S. Appl. No. 29/502,985, filed Sep. 22, 2014.

U.S. Appl. No. 29/502,986, filed Sep. 22, 2014.

U.S. Appl. No. 29/502,988, filed Sep. 22, 2014.

U.S. Appl. No. 29/502,990, filed Sep. 22, 2014.

U.S. Appl. No. 29/514,954, filed Jan. 19, 2015.

U.S. Appl. No. 29/517,939, filed Feb. 18, 2015.

U.S. Appl. No. 29/518,222, filed Feb. 20, 2015.

U.S. Appl. No. 29/548,448, filed Dec. 14, 2015, Lin.

U.S. Appl. No. 29/548,450, filed Dec. 14, 2015, Lin.

U.S. Appl. No. 29/548,453, filed Dec. 14, 2015, Lin.

U.S. Appl. No. 29/548,457, filed Dec. 14, 2015, Lin.

U.S. Appl. No. 29/548,458, filed Dec. 14, 2015, Lin.

U.S. Appl. No. 29/548,459, filed Dec. 14, 2015, Lin.

U.S. Appl. No. 29/548,460, filed Dec. 14, 2015, Lin.

U.S. Appl. No. 29/548,461, filed Dec. 14, 2015, Lin.

U.S. Appl. No. 29/548,463, filed Dec. 14, 2015, Lin.

Notice of Allowance for U.S. Appl. No. 29/502,977, mailed Nov. 2, 2015 11 pages.

Notice of Allowance for U.S. Appl. No. 29/502,983, mailed Nov. 13, 2015 8 pages.

Notice of Allowance for U.S. Appl. No. 29/502,985, mailed Nov. 10, 2015 11 pages.

Notice of Allowance for U.S. Appl. No. 29/502,986, mailed Nov. 4, 2015 12 pages.

Notice of Allowance for U.S. Appl. No. 29/502,988, mailed Nov. 18, 2015 12 pages.

(56)

References Cited

OTHER PUBLICATIONS

Notice of Allowance for U.S. Appl. No. 29/502,990, mailed Nov. 2,
2015 11 pages.

* cited by examiner

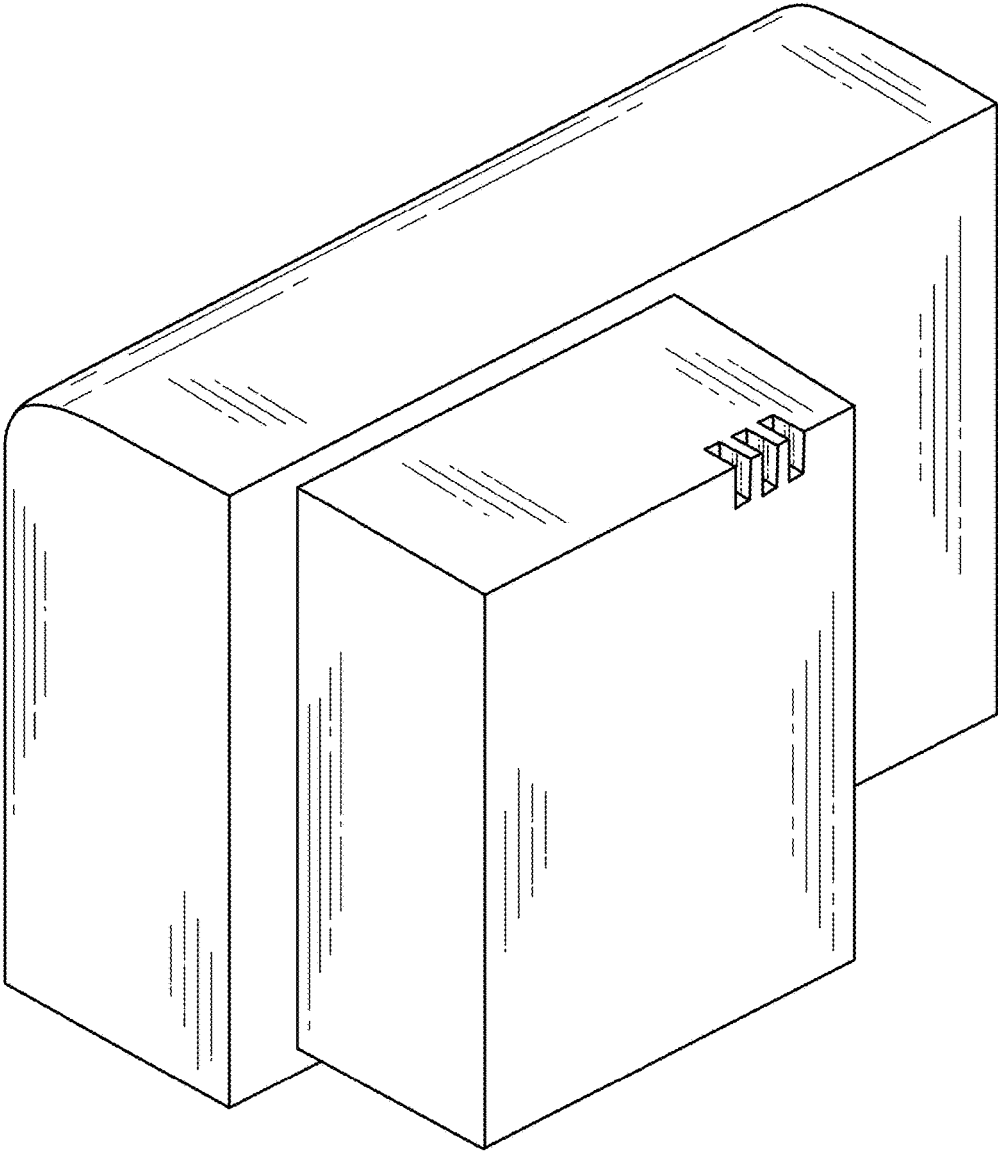


FIG. 1

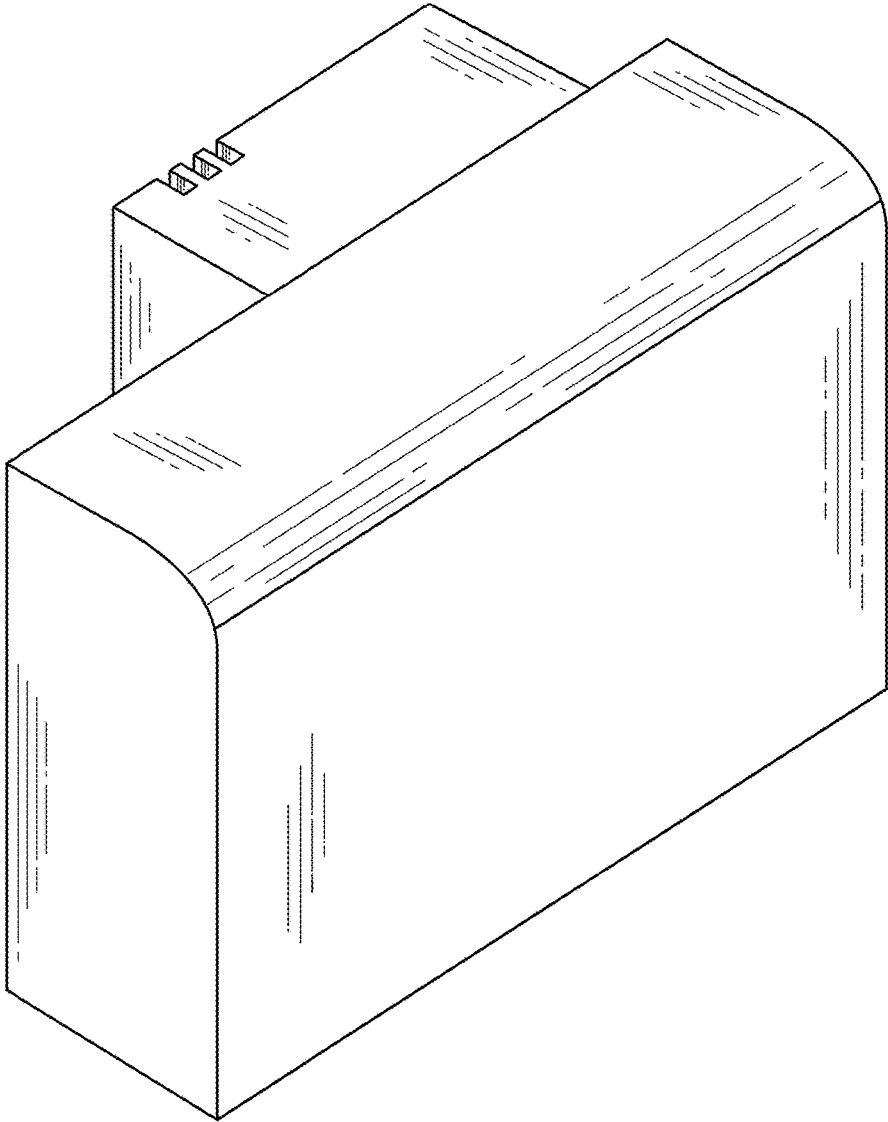


FIG. 2

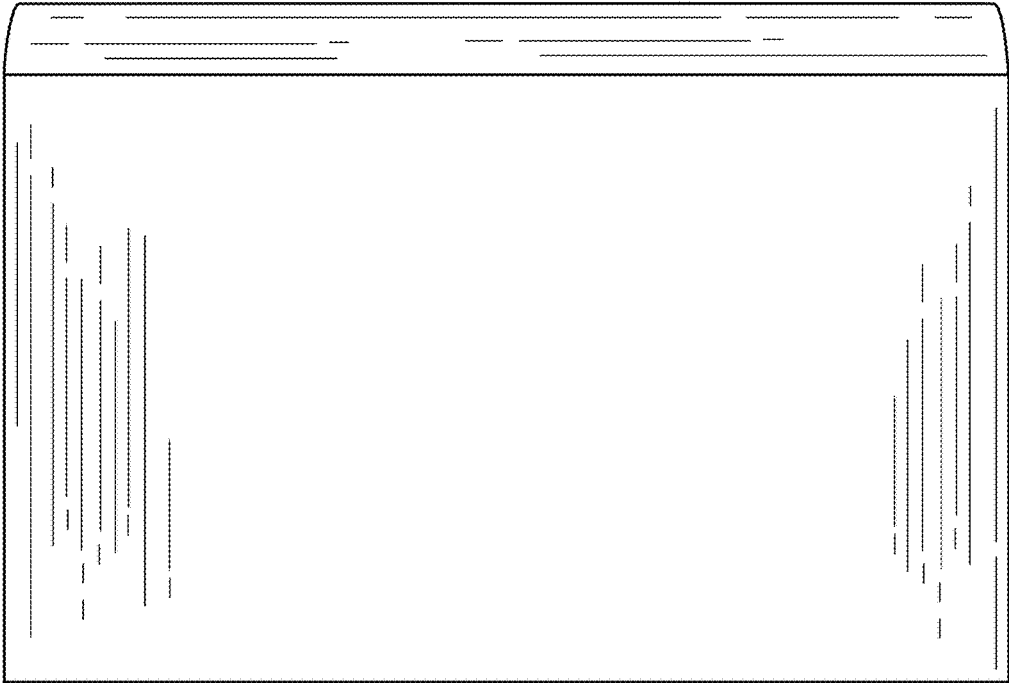


FIG. 3

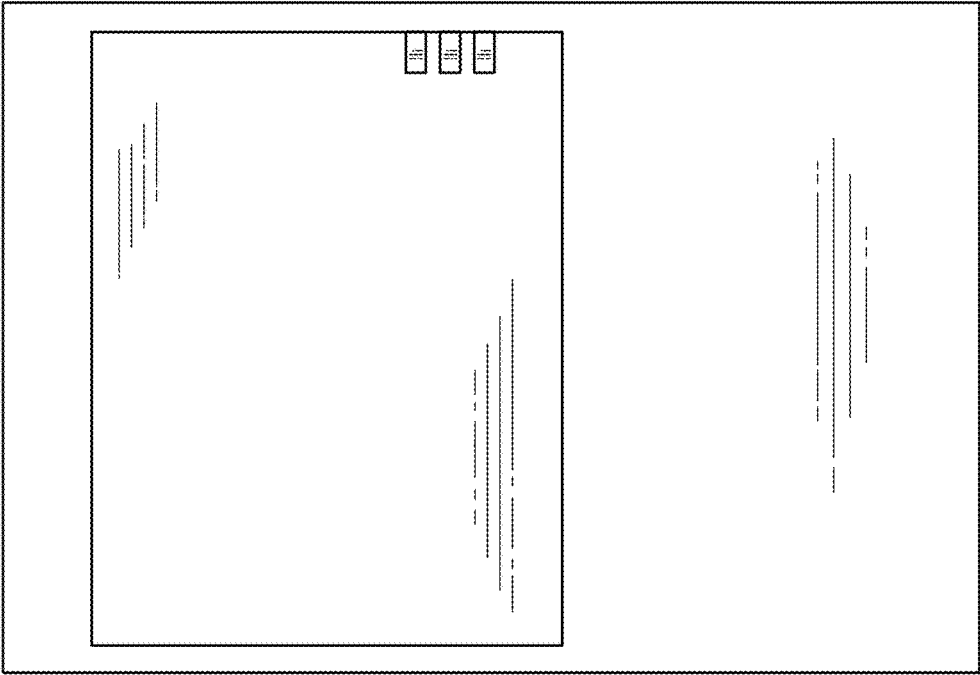


FIG. 4

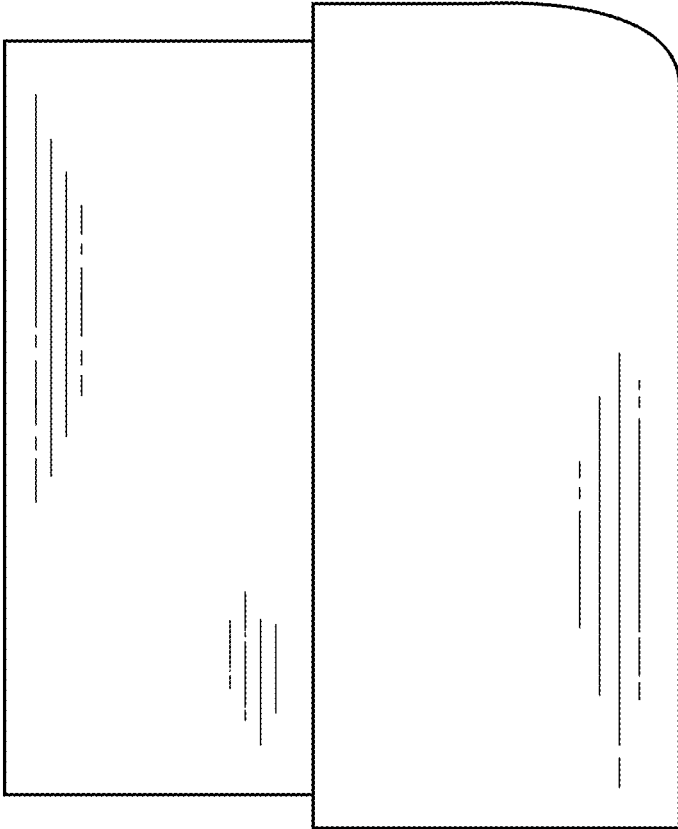


FIG. 5

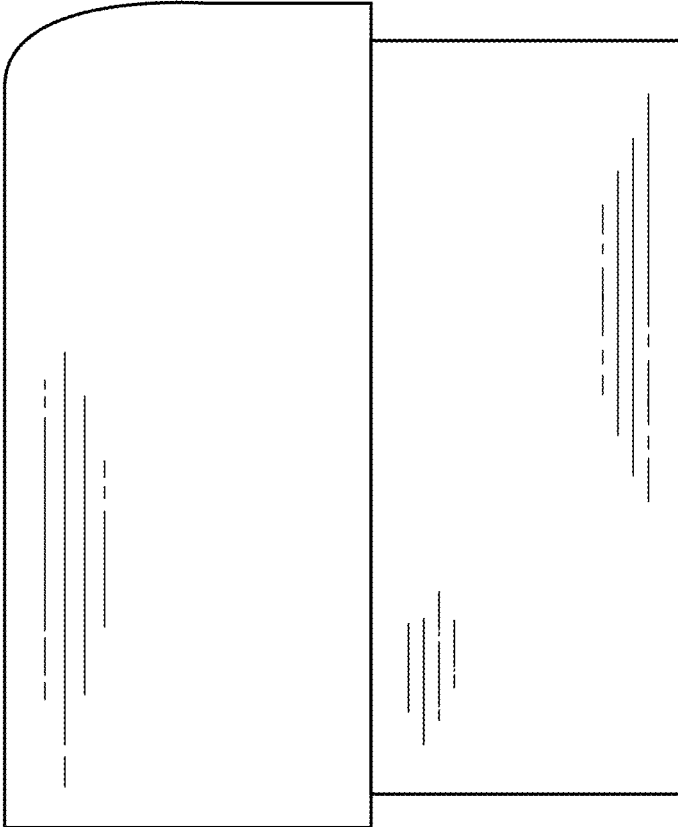


FIG. 6

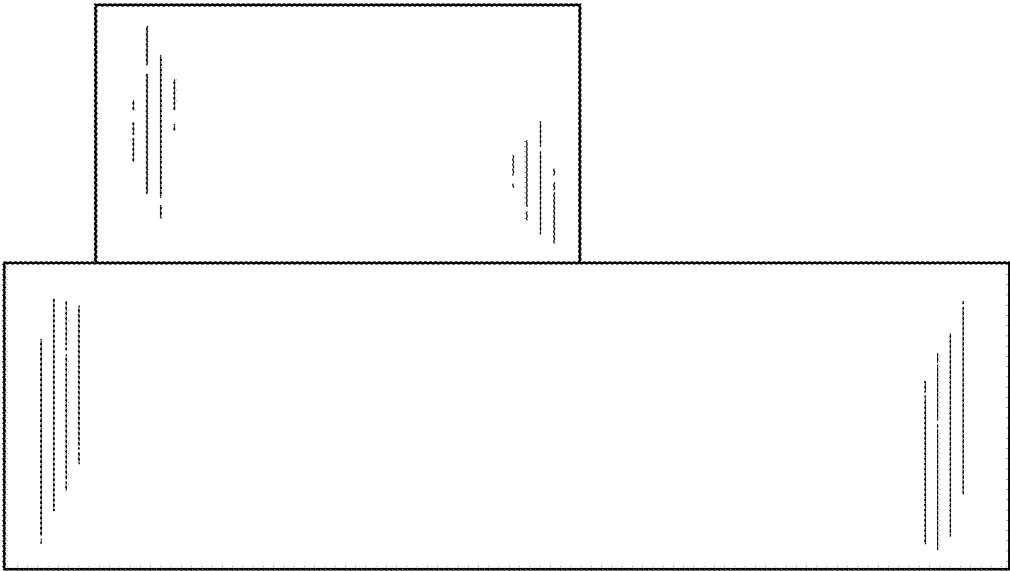


FIG. 7

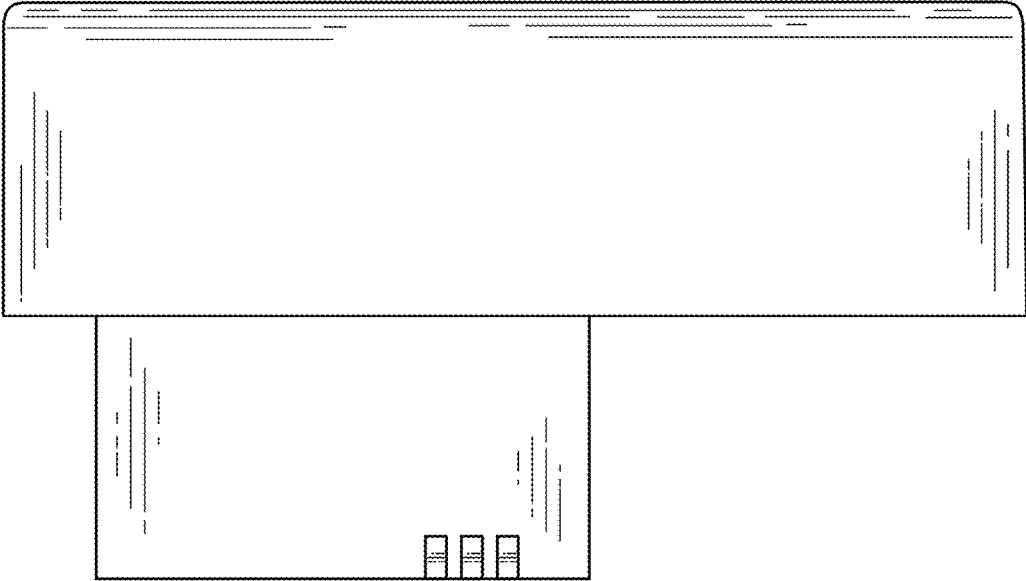


FIG. 8

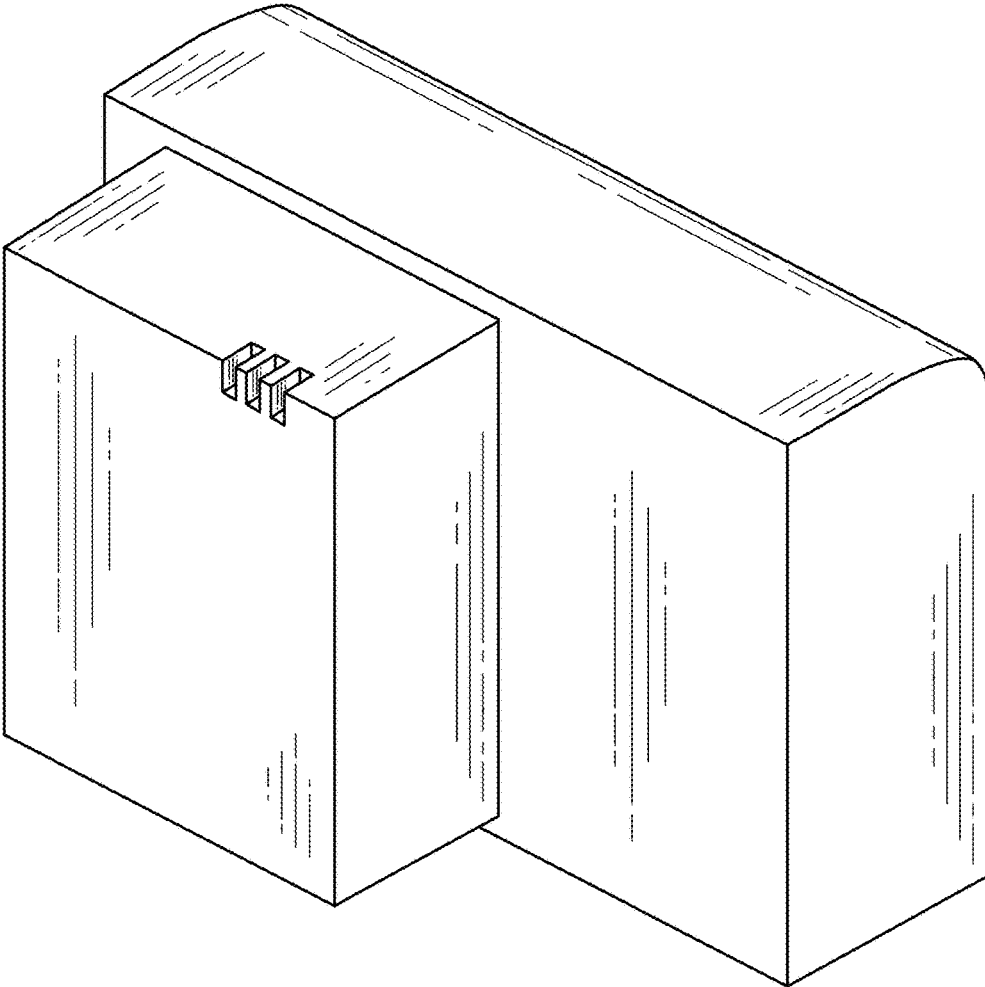


FIG. 9

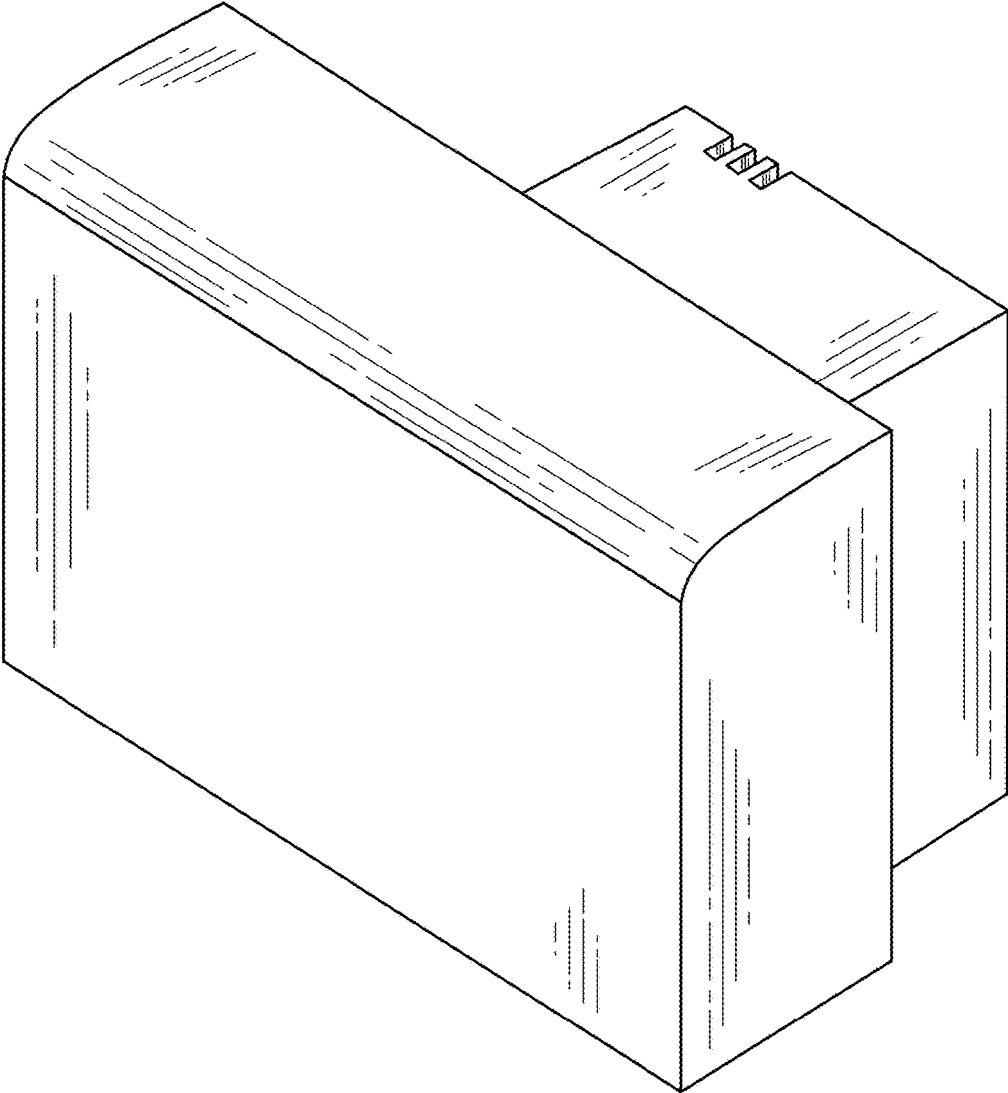


FIG. 10