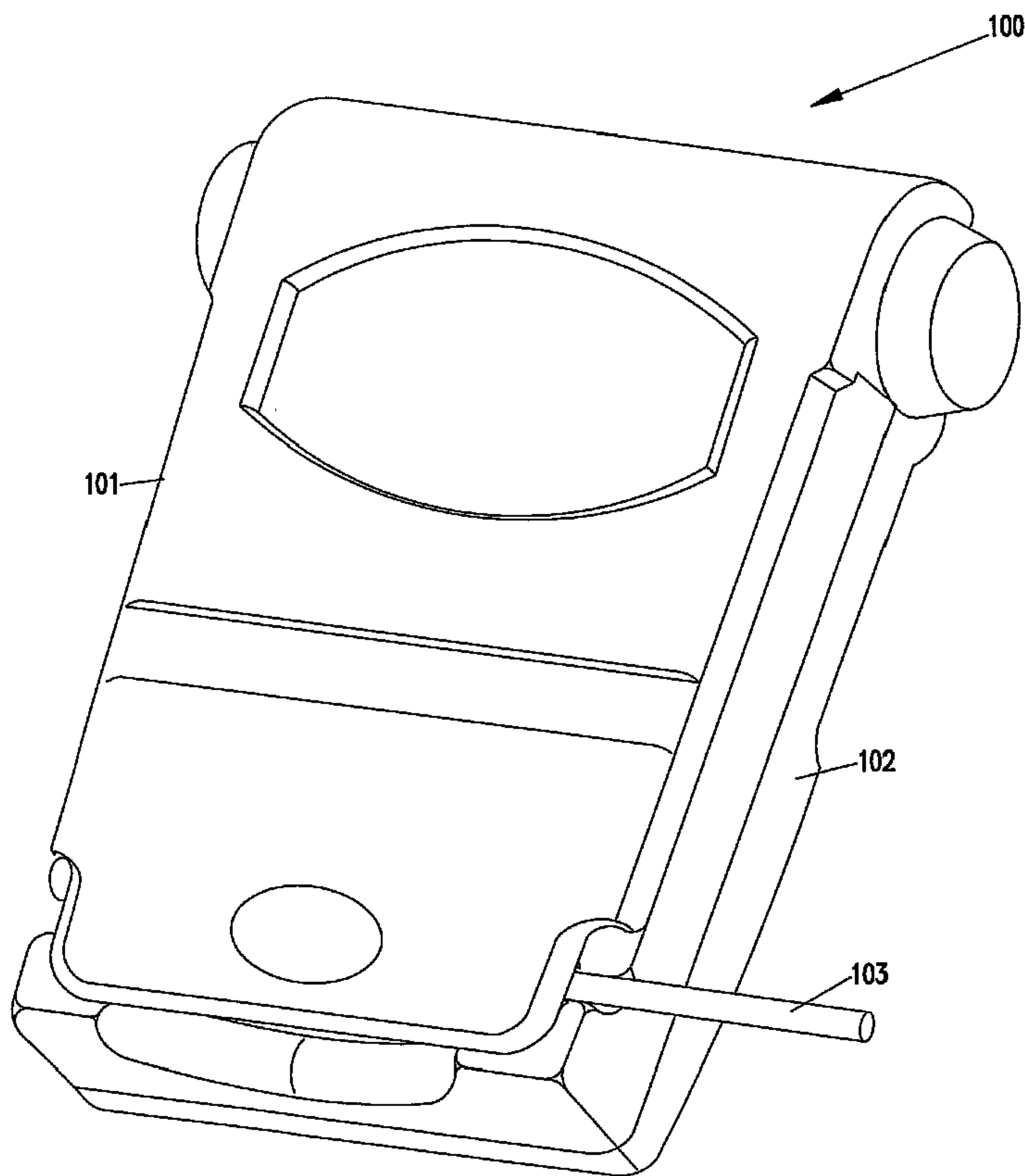




(86) Date de dépôt PCT/PCT Filing Date: 2002/11/13  
 (87) Date publication PCT/PCT Publication Date: 2003/05/22  
 (45) Date de délivrance/Issue Date: 2009/12/22  
 (85) Entrée phase nationale/National Entry: 2004/03/30  
 (86) N° demande PCT/PCT Application No.: US 2002/036514  
 (87) N° publication PCT/PCT Publication No.: 2003/041555  
 (30) Priorités/Priorities: 2001/11/14 (US09/992,195);  
 2002/06/19 (US10/177,901)

(51) Cl.Int./Int.Cl. *A47L 13/30* (2006.01)  
 (72) Inventeurs/Inventors:  
 DEFIELDS, SCOTT, US;  
 OLSON, SCOTT, US  
 (73) Propriétaire/Owner:  
 ECOLAB INC., US  
 (74) Agent: CASSAN MACLEAN

(54) Titre : SYSTEME D'APPLICATION DE REVETEMENT DE SOL METTANT EN OEUVRE UN TAMPON  
 D'APPLICATION ET COMPOSITION DE REVETEMENT DE SOL ASSOCIEE  
 (54) Title: FLOOR FINISH APPLICATION SYSTEM USING APPLICATOR PAD AND MATCHED FLOOR FINISH  
 COMPOSITION



(57) Abrégé/Abstract:

A system for the formation of a thick robust transparent floor finish layer from a high solids formulation with an applicator device utilizing micro fiber technology. A micro fiber applicator device can be configured to apply a sufficient amount of an aqueous high

(57) **Abrégé(suite)/Abstract(continued):**

solids floor finish to obtain a thick robust finish layer in a single application. One system for applying the floor finish can comprise a source of aqueous floor finish (106) and an applicator wand (119) comprising an application nozzle (120) and application surface (123). Application surface (123) can comprise micro fiber technology in a pad structure comprising a reservoir foam and a micro fiber applicator surface (127).

## (12) INTERNATIONAL APPLICATION PUBLISHED UNDER THE PATENT COOPERATION TREATY (PCT)

(19) World Intellectual Property Organization  
International Bureau(43) International Publication Date  
22 May 2003 (22.05.2003)

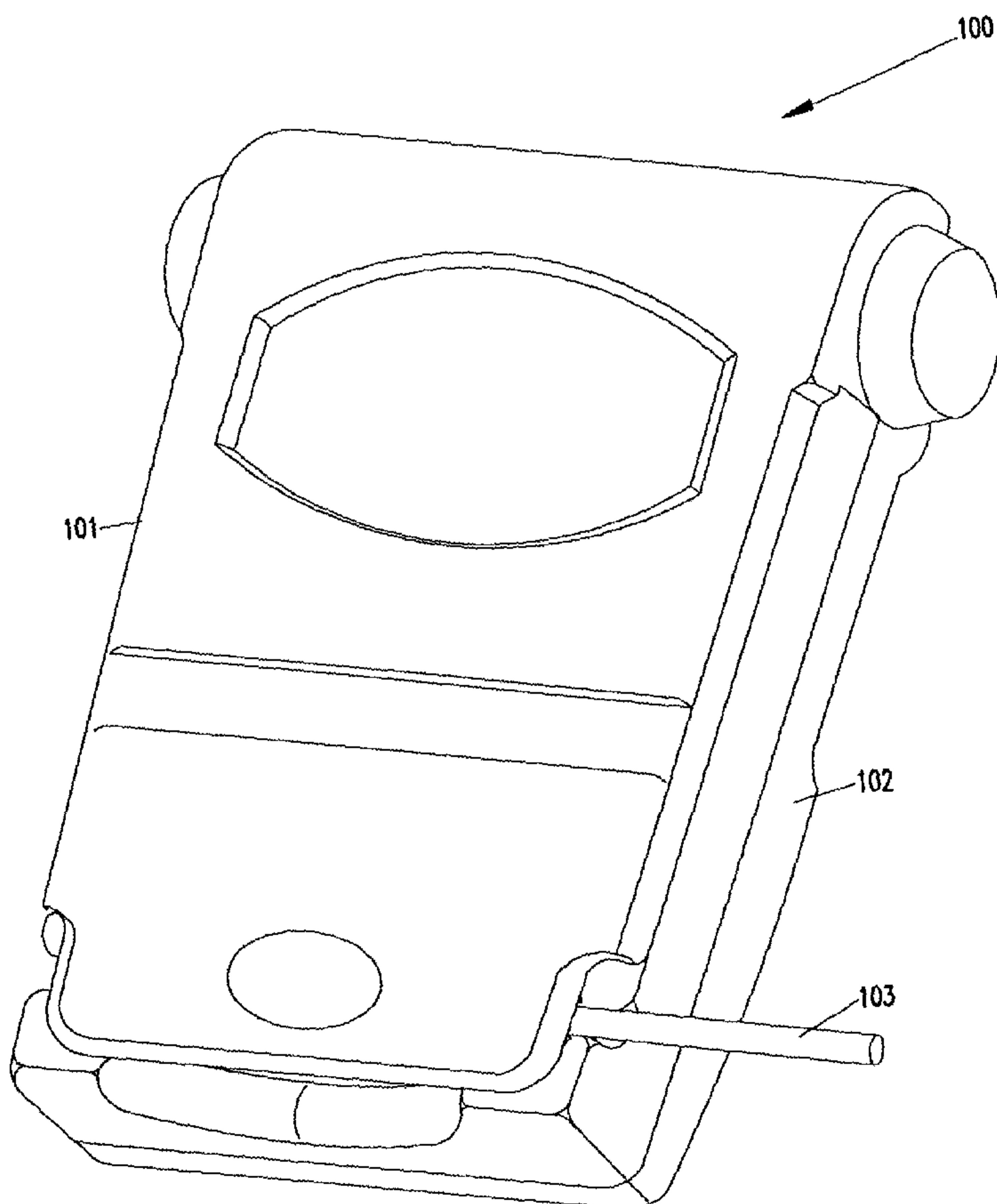
PCT

(10) International Publication Number  
**WO 03/041555 A1**

- (51) International Patent Classification<sup>7</sup>: **A47L 13/30**
- (21) International Application Number: PCT/US02/36514
- (22) International Filing Date:  
13 November 2002 (13.11.2002)
- (25) Filing Language: English
- (26) Publication Language: English
- (30) Priority Data:  
09/992,195 14 November 2001 (14.11.2001) US  
10/177,901 19 June 2002 (19.06.2002) US
- (71) Applicant: **ECOLAB INC.** [US/US]; Ecolab Center,  
Saint Paul, MN 55102 (US).
- (72) Inventors: **DEFIELDS, Scott**; 6906 10th Street North,  
Oakdale, MN 55128 (US). **OLSON, Scott**; 355 Hickory,  
Mahtomedi, MN 55115 (US).
- (74) Agent: **SORENSEN, Andrew, D.**; Ecolab Inc., 840 Sibley  
Memorial Highway, Mendota Heights, MN 55118 (US).
- (81) Designated States (*national*): AE, AG, AL, AM, AT, AU,  
AZ, BA, BB, BG, BR, BY, BZ, CA, CH, CN, CO, CR, CU,  
CZ, DE, DK, DM, DZ, EE, ES, FI, GB, GD, GE, GH, GM,  
HR, HU, ID, IL, IN, IS, JP, KE, KG, KP, KR, KZ, LC, LK,  
LR, LS, LT, LU, LV, MA, MD, MG, MK, MN, MW, MX,  
MZ, NO, NZ, PH, PL, PT, RO, RU, SD, SE, SG, SI, SK,  
SL, TJ, TM, TR, TT, TZ, UA, UG, UZ, VN, YU, ZA, ZM,  
ZW.
- (84) Designated States (*regional*): ARIPO patent (GH, GM,  
KE, LS, MW, MZ, SD, SL, SZ, TZ, UG, ZM, ZW),  
Eurasian patent (AM, AZ, BY, KG, KZ, MD, RU, TJ, TM),

[Continued on next page]

(54) Title: FLOOR FINISH APPLICATION SYSTEM USING APPLICATOR PAD AND MATCHED FLOOR FINISH COMPOSITION



(57) Abstract: A system for the formation of a thick robust transparent floor finish layer from a high solids formulation with an applicator device utilizing micro fiber technology. A micro fiber applicator device can be configured to apply a sufficient amount of an aqueous high solids floor finish to obtain a thick robust finish layer in a single application. One system for applying the floor finish can comprise a source of aqueous floor finish (106) and an applicator wand (119) comprising an application nozzle (120) and application surface (123). Application surface (123) can comprise micro fiber technology in a pad structure comprising a reservoir foam and a micro fiber applicator surface (127).



WO 03/041555 A1

**WO 03/041555 A1**



European patent (AT, BE, BG, CH, CY, CZ, DE, DK, EE, ES, FI, FR, GB, GR, IE, IT, LU, MC, NL, PT, SE, SK, TR), OAPI patent (BF, BJ, CF, CG, CI, CM, GA, GN, GQ, GW, ML, MR, NE, SN, TD, TG).

— *before the expiration of the time limit for amending the claims and to be republished in the event of receipt of amendments*

**Published:**

— *with international search report*

*For two-letter codes and other abbreviations, refer to the "Guidance Notes on Codes and Abbreviations" appearing at the beginning of each regular issue of the PCT Gazette.*

**FLOOR FINISH APPLICATION SYSTEM USING APPLICATOR PAD AND  
MATCHED FLOOR FINISH COMPOSITION**

**Field of the Invention**

5           The invention relates to a portable apparatus that can be used to distribute a high solids floor finish on a floor surface. The apparatus is adapted for high solids aqueous floor finish compositions that can be distributed to form a single robust layer of floor finish in one application on a resilient vinyl floor. In an embodiment, the system includes a backpack adapted for a single user, wand applicator having an application nozzle, an applicator pad, a high solids content aqueous finish  
10 composition, and apparatus to meter the correct amounts of floor finish.

**Background of the Invention**

15           The application of aqueous floor finish compositions to institutional floor surfaces, in particular to resilient vinyl flooring, remains difficult problem for floor maintenance personnel. In the past floor finishes have been applied using multiple applications of conventional floor finish compositions to build up a robust finish layer. Such manual applications are often accomplished by pouring liquid floor finish or metering liquid floor finish onto a surface and uniformly distributing the  
20 liquid floor finish using a mop, weighted "T" bar, or other application device. Such application techniques often result in an uneven application, undesirable flawed surface appearance, unnecessary labor costs and often can result in insufficient thicknesses for commercial flooring. We have found that mobile or portable apparatus for floor maintenance are known. For the purpose of this application, we  
25 are not interested in an apparatus adapted for of floor cleaning protocols. In the cleaning art, the mobile technology typically involves the use of aqueous cleaners and rinses for removing soils, low solids floor finish compositions and other undesirable materials from floor surfaces.

30           Conventional aqueous floor finish compositions are formulated in a variety of product types. The products vary with respect to the type of materials combined in the formulations and with respect to the amount of solids found in the formulations. The use of high solids floor finish compositions poses unique

problems. Application technologies developed for conventional low solids floor finish compositions are often inadequate when used in high solids applications. Further the conventional application techniques cannot take advantage of the unique properties of high solids floor finish materials. Substantial need to has arisen for improved methods and equipment that can be used in applying high solids floor finish materials.

We're aware of the following patents generically related to floor maintenance technologies. Gewalt (U.S. Patent No. 2,053,282), Thompson (U.S. Patent No. 2,061,216), Payne (U.S. Patent No. 2,731,656), Minerley (U.S. Patent No. 2,875,463) and Cushing (U.S. Patent No. 4,119,386) disclose an apparatus typically characterized in the prior art as "a fountain mop." Such systems include typically a wand having mounted thereon, a reservoir for an aqueous material that can be applied through a "fountain" and a mop head that can be used to distribute the aqueous material. Similar to such fountain mops, Floyd (U.S. art. No. 1,778,552), Burfield (U.S. Patent No. 4,984,328) and Sloan (U.S. Patent No. 4,971,471) each teach a mop or brush head that includes a spray system for introducing an aqueous material into the head or on a floor.

One common configuration of a typical mobile floor cleaning system is the portable or motor driven cleaning machine such as that shown in Girman et al. (U.S. Patent No. 4,893,375) or Tipton (U.S. Patent No. 5,331,713) these apparatus are configured to sequentially apply cleaning materials to a floor, scrub the floor and then remove the cleaning materials for further operations.

Keppers, et al. United States Patent No. 6,017,163, teaches a wheeled portable floor finish distribution apparatus mounted on a wheeled cart using an applicator nozzle, wand and distributor device to apply aqueous floor finish compositions.

A brief review of these disclosures show that no system is available that is adapted for the convenient, efficient application of a liquid floor finish over a large area floor using a portable cart system. Available applications systems are not adapted to take advantage of the unique properties of high solids floor finish compositions. The larger portable or motor driven systems prior art systems are

adapted for the serial application and removal typically by vacuum systems of aqueous materials used to wash, rinse or maintain floor surfaces.

Conventional technologies are not truly adapted for a single user performing the application of a single robust floor finish layer from high solids materials. In  
5 large part the prior art is directed towards portable systems that clean large areas of institutional flooring, but not directed towards applying maintaining floor finish layers.

A substantial need exists for apparatus and methods adapted to the formation of a single robust floor finish layer by a single maintenance individual using high  
10 solids floor finish compositions.

### **Brief Discussion of the Invention**

The invention relates to a floor finish application system including a source of aqueous floor finish in fluid communication with an applicator wand. The  
15 applicator wand includes a handle, metering apparatus for the high solids floor finish applicator nozzle, a distribution pad and, optionally, a high solids aqueous floor finish composition. In an embodiment, a distribution pad using microfiber technology is paired with a high solids aqueous floor finish to permit a single applicator individual to apply a single coat, thick, robust floor finish in a single  
20 application or pass.

In an embodiment, the floor finish in a flexible container is placed into a backpack housing. The flexible container can be equipped with a connector that can couple to a conduit, which can be attached to the applicator wand structure. The wand structure can include a conduit directed to a floor finish applicator nozzle that  
25 can be used to meter an appropriate amount of the floor finish composition onto the resilient vinyl floor surface. A single conduit can couple to both the container and the nozzle. The system can include a filter positioned to filter the floor finish before or as it leaves the container. The wand structure also includes an attached micro fiber pad that can be used to distribute the aqueous finish at an appropriate rate of  
30 application in an appropriate application amount for a single pass application of the thick floor finish layer.



a coupling to the applicator nozzle. The wand also acts as a carrier for the liquid floor finish metering apparatus and the distribution pad.

Figure 8 is a depiction of an embodiment of the distal end of the application wand. Figure 8 protects the applicator metering apparatus and applicator nozzle with an installed pad on an installation surface attached to the wand. In Figure 8, one embodiment of the installation of the pad on the applicator surface-using pad pockets installed in the pad is shown for attachment of the pad to the wand assembly.

Figure 9A and 9B are a depiction of an embodiment of the attachment surface and application surface of the pad. Such a pad can use a Velcro surface for attachment to the wand assembly and, on the application or floor finish distribution surface of the pad, the pad can use a microfiber material installed into the application surface. The installed microfiber surface characteristics can be used to evenly distribute the floor finish on the resilient vinyl tile-flooring surface to form a thick resilient robust layer. The pad containing a reservoir including an internal polymeric open cell foam structure that can act to maintain a supply of the floor finish for high solids add-on to the floor surface.

Figure 10 is a depiction of an embodiment of a cross-section of the pad of the invention.

25

### **Detailed Discussion of the Invention**

The floor finish system of the invention involves a portable reservoir for the floor finish such as a portable system adapted for a single user. Such a portable system can include a back pack system that can serve as a mounting location for a container of the high solids floor finish of the invention. The portable reservoir or back pack and the included floor finish or floor finish container is fluidly connected to an application wand having a fluid conduit leading to a metering tip and

30

applicator pad. The application wand contains metering apparatus that permits the user to apply an appropriate amount of floor finish to the resilient vinyl floor surface. Such apparatus can be incorporated into the handle used by the user of the application wand. In a preferred embodiment, the individual user of the system can  
5 apply, in a single application of high solids floor finish, a thick robust layer of floor finish on a floor surface.

The portable reservoir or back pack is equipped with attachment apparatus appropriate for the use of the application personnel. Typically the back pack structure is worn by the application personnel using a shoulder strap or harness  
10 configuration applied to the user's back. The portable reservoir, however, can be used in a variety of configurations including as a chest pack, as a "fanny pack," or any other configuration that can be supported by application personnel during floor finish application operations. The back pack container can be configured to enclose a flexible or rigid, inflexible container filled with an appropriate amount of high  
15 solids floor finish.

The portable reservoir or back pack should be configured such that it can be easily used by the application personnel over an eight hour period (including multiple fillings or replacements of the floor finish material) conveniently without fatigue. Accordingly, the filled portable reservoir or back pack preferably weighs no  
20 more than about 15 kg, but should contain at least 5 liters of floor finish with a maximum capacity of up to about 15 liters. In an embodiment, the backpack can accommodate a container with a capacity of about 7 liters. The portable reservoir or back pack should be configured for easy refilling or access to the interior of the back pack. Access can permit removal of empty containers of floor finish and the  
25 insertion of new filled containers. In one embodiment, the back pack can simply be filled from a reservoir of floor finish without a separate container structure. However, preferably, the back pack is configured to receive and support a container of floor finish. Preferably, the floor finish container is a flexible container, a semi-rigid container, or a rigid container, each of which can be adapted to the interior  
30 space of the back pack. In an embodiment, the floor finish container is a collapsible polymeric bag made of two or more layers. The container is simply inserted into the back pack without significant modifications to the back pack structure. However, in

a preferred embodiment, the back pack contains interior access having a closure structure that can be opened and closed during operations in which the empty containers are replaced by filled containers. In a preferred embodiment, an openable door or lid structure is installed in the back pack exposing the interior of the back pack to easy access to the empty containers and for insertion of a new filled container.

The interior of the portable reservoir or back pack is sized and configured for filling with liquid floor finish or configured to accept and support the fluid floor finish container. In an embodiment, the container has a "lock and key" structure such that only an appropriately shaped floor finish container can be effectively inserted into the recess within the back pack that can accept and support the back pack container. The surface of the container that contacts the portable reservoir or back pack wall or support surfaces preferably has a unique profile such that only containers adapted to that profile will fit the interior space of the portable reservoir or back pack. The container can have a unique surface that comes into contact with the support structure in the back pack or can have a unique surface on the side of the container that comes into contact with the interior space of the back pack. Such profiles can include protruding areas, indents, or an overall shape or profile adapted to the interior space of the back pack. Depending on application, the back pack can be configured to include two or more separate containers that can contain either the identical floor finish composition, combinable two-part floor finish compositions or different floor finish compositions, depending on application.

The portable liquid floor finish system of the invention includes a conduit that can act as an apparatus of fluid communication directing the floor finish from the back pack to the wand used to apply the floor finish. In an embodiment, the a coupling is installed in the floor finish container that directs the floor finish from the container to the attached to conduit structure. In an embodiment, a single conduit or hose couples to the source of liquid floor finish and to the metering apparatus. In an embodiment, the conduit of the back pack is coupled to a conduit installed on the application wand in conjunction with the metering valve and pad.

The back pack can be adapted for use by both right handed and left handed individuals and for right handed and left handed use regardless of the handedness of

the individual. The conduit leaving the back pack can be installed in a right aspect or a left aspect using a conduit restraint structure formed in the portable liquid floor finish system for ease of use and application in all environments by all users. In an embodiment, the container is permanently installed with the conduit and when the container and conduit is installed in the back pack with a fresh amount of high solids floor finish, the conduit is directed from the container. In an embodiment, the conduit is coupled at its distal end to the metering apparatus and, proximal to that, coupled to the wand, and includes at its proximal end apparatus for mating with a fitting on the container of floor finish. The conduit leading from the coupling can be placed in a conduit restraint formed in the back pack case that prevents the two from undesirable or inappropriate motion.

In an embodiment, the container is coupled to the conduit employing a two part coupling. One part of the coupling can reside on the conduit, to which it can be reversibly coupled. Another part of the coupling can be an integral portion of the container, or can be coupled to the container by the user. The two parts of the coupling can be threaded to reversibly couple to one another. In an embodiment, the container part of the coupling can include a filter. The filter can be oriented to be within the container in a configuration in which fluid leaving the container must pass through the filter. The filter can have any of a variety of configurations. For example, the filter can be shaped like a cylinder with a flattened end, like a sock or bag, cylindrical, tubular, bulbous, spherical, oblate, or the like. The filter can be coupled to the coupling by any of a variety of suitable methods. For example, the filter can be attached to the coupling by ultrasonic welding, friction, adhesive. The filter can be an integral part of the coupling.

Preferably, the filter is an elongated filter element that is resilient but not floppy. That is, fluid or solids within the container cannot crumple the resilient filter onto the opening that provides fluid communication with the conduit. A resilient filter can bend if installation of a flexible container in the back pack urges the filter into contact with the back pack. Preferably, the resilient filter is configured to reduce or avoid excess wear on a flexible container, for example, by having rounded rather than pointed edges. The filter can be made of any of a variety of materials suitable for making filters for floor finish materials. For example, the filter can be

plastic, metal, or non-woven material. By way of further example, the filter can be a mesh, a mesh-like material, or a solid sheet with apertures.

The filter can include any size aperture or pore suitable for allowing floor finish fluid to flow through the filter while retaining unwanted solid, gel, or particulate matter. In an embodiment, the filter apertures have a maximum dimension of 0.015 inches to 0.2 inches. In an embodiment, the filter apertures have a maximum dimension of 0.03 inches to 0.1 inches. In an embodiment, the filter apertures have a maximum dimension of 0.04 inches to 0.07 inches. In an embodiment, the filter apertures have a maximum dimension of 0.05 inches.

In an embodiment, the coupling includes a valve. The valve retains fluid in the container when the container is not coupled to the conduit. For example, the container part of the coupling can include a valve that is normally closed. The conduit part of the coupling can include apparatus for actuating the valve so that when the conduit is coupled to the container, the container and the conduit are in fluid communication.

In an embodiment, once installed in the back pack, the container conduit is in turn connected to a conduit installed on the application wand that leads directly to the application metering valve structure. The container conduit can be joined with the wand conduit using common joining apparatus including a connector or coupling providing fluid communication from the container to the wand floor finish application apparatus. In an embodiment, a single conduit leads from container to metering structure.

The conduit leading to the metering structure is preferably sized and configured to ensure that the application wand can direct a substantial quantity of liquid floor finish onto the floor. For preferred operations, the back pack is structured and adapted to apply about 10 milliliters to about 120 milliliters of floor finish per square meter of floor, preferably about 30 milliliters to about 100 milliliters of floor finish per square meter of floor. Such an add-on will ensure a thick, resilient and robust coating on the floor surface. Such an add-on amount will obtain, in a single dried application layer, a layer thickness, after evaporation of the liquid carrier fluid, that ranges from about 0.01 to about 0.03 millimeters, preferably about 0.005 to about 0.05 millimeters. The floor finish structure of the invention is

adapted to permit the relatively rapid application of floor finish to the resilient vinyl floor surface. Accordingly, during preferred operations, a skilled applicator can apply the desired amount and thickness of the floor finish at a rate of about 3.0 to about 10 square meters per minute of operation.

5           The application wand of the invention is adapted for easy metering of an appropriate amount of the floor finish to the resilient vinyl floor surface and to distribute the aqueous finish in an appropriate thin continuous layer. In a preferred embodiment, the wand has, on a proximal end a handle and on a distal end attachment apparatus for the application pad. Proximate to the application pad is  
10 installed a metering valve or orifice that is connected to triggering apparatus in the handle of the wand. The wand additionally includes a conduit that can provide fluid communication for the liquid floor finish from the back pack container or reservoir to the metering orifice proximate the pad. In a preferred mode, the application personnel will trigger the flow of floor finish until an appropriate amount is applied  
15 to the floor proximate the pad by manipulation on the application apparatus installed in the handle structure. The pad then is used to first acquire within the pad interior foam reservoir, an amount of the floor finish. Once substantially saturated with liquid floor finish, the pad is then worked across the floor surface to evenly distribute the floor finish in a thick layer. The pad can be worked in a variety of  
20 patterns along the floor surface. The pattern selected can be appropriate for the personnel and for the space involved. For example, relatively narrow hallways can be serviced by a linear back-and-forth application, however, large square areas can also be worked by an arc-like or semicircular-like application pattern. However, the preferred mode involves the application of a sufficient amount of floor finish since  
25 that a thick resilient robust coating is formed in a single application on the floor surface.

The proximal end of the floor application wand typically contains a handle and a triggering apparatus to apply the floor finish, virtually any type of apparatus to meter or apply the floor finish can be used in the handle. Common lever or trigger  
30 structures that are operably connected to the application nozzle can be used. The structure selected preferably can be easily adapted to the application of the appropriate amount of floor finish to the floor surface. The application wand

typically includes a conduit that passes from the back pack along or within the handle leading down to the application nozzle. In an embodiment, the conduit leaves the back pack, is then connected to the conduit in the wand using a coupling conveniently placed for easy attachment to the conduit on the handle. The conduit is then directed to the metering structure. In an embodiment, a single conduit extends from back pack to wand to metering apparatus.

The conduit can be mechanically associated with the wand in a variety of ways. The conduit can be installed within the tubular wand structure, can be attached along the exterior length of the structure using mechanical fasteners or the conduit can be wound around the wand to maintain a loose association of the conduit and the wand. The conduit typically ends at a metering structure installed at the distal end of the metering wand. The metering structure is typically installed on the distal end of the application wand such that the liquid floor finish can be applied without substantial splashing. The metering structure is operably connected to the handle application apparatus for the appropriate application of the aqueous floor finish. The metering structure can include any valve-like structures for the measured application of the appropriate amounts of floor finish. In a preferred embodiment of the invention the desired volume of floor finish can be selected by actuating the metering structure, which can include simple on/off valves, mechanically or electrically driven valves or other structure.

One aspect of the metering structure involves the diameter of the output orifice that is used to meter the appropriate volume of floor finish. The output metering structure typically has a diameter of about 0.05 to 0.1 millimeters, preferably about 0.03 to 0.2 millimeters for appropriate add-on of floor finish. The application wand terminates at its distal end with an application pad. The application pad is installed in an articulating position at the end of the application pad to provide rotation about to the end of the wand to maintain contact between the application surface of the pad and floor surface. Such an articulating position can be achieved by the use of a flexible linkage that ensures that the pad is in contact with the floor over the entire application surface of the pad. A variety of structures can be used to attach the pad in a flexible articulated manner to the distal end of the application wand.

The application pad of the invention is adapted to be easily installed onto the distal end of the application wand, to act as a reservoir for a significant proportion of the liquid floor finish and to have an appropriate surface area to distribute the liquid floor finish across the floor in appropriate amounts such that the floor finish can be applied at a single application to result in a thick robust continuous floor coating.

One aspect of the pad is its ease of use. The movement of the pad preferably provides as little resistance to the application of the floor finish as possible for the convenience and comfort of the individual using the floor finish application system. Accordingly, the pad preferably can be sized and configured such that the resistance to movement of the pad with the fluid floor finish across the floor is minimized. Such a pad will be easy to use, will apply floor finish in the appropriate amounts but not result in substantial fatigue to application personnel that would interfere with the appropriate add-on amount of floor finish. In our work, we have found that a pad having an application surface that ranges from about 500 to about 2000 square centimeters provides an appropriate application surface that results in a high quality floor finish and minimum fatigue in the application personnel. The profile of the application surface can be generally rectangular, oval, circular or other appropriate structure. In a preferred mode, we have found that the preferred pad is a generally rectangular pad wherein the length of the pad is generally 2 to 6 times the width of the pad. Preferred pads have a dimension of about 10 to about 20 centimeters in width and about 50 to 100 centimeters in length. The pad can be attached to the distribution wand using a variety of techniques. The pad can have pockets or inserts installed in the attachment surface of the pad which can interact with mechanical devices on the wand to ensure a close fitting association with the wand structure. In one embodiment, the wand can have a flexible structure that can be inserted into pockets formed in the pad that can be used to attach the pad to the wand. In an alternative embodiment, the pad can have an attachment surface having a Velcro structure that can simply be pressed against the corresponding surface at the distal end of the application wand for reliable installation. The application pad typically includes the attachment surface, an internal foam reservoir and on the surface opposite the attachment surface, an application with a microfiber distribution structure.

The pad is typically manufactured by loosely assembling the attachment surface, the interior foam pad and the microfiber application surface and then mechanically attaching the layers one to the other in a laminate structure. A variety of attachment apparatus can be used including hot melt adhesives, hot line lamination or sewing. In a preferred mode, the layers are assembled by sewing the pad along its length and along its perimeter to ensure close association with the layers.

The application surface has an installed microfiber distribution apparatus. The use of microfibers on the application surface ensures that the foam reservoir, the applied floor finish and the application surface cooperate to apply a large quantity of the floor finish to the surface resulting in the robust floor finish layer. The microfibers are installed in the pad with a preferred alignment. The microfibers are typically placed in or installed in a pad support structure a direction that is substantially normal to the surface of the pad. In other words, as the pad is moved across the floor, the microfibers are substantially perpendicular to the floor surface. It should be understood that, however, the microfibers are highly flexible and will move in accordance with the net force applied by the application personnel. Accordingly, the microfibers will contact the floor finish and the floor surface during application and will be moved in accordance with the motion of the pad. However, the microfibers are substantially installed in the pad surface in a direction normal to the pad surface (and the floor surface). In a preferred mode, the microfibers are manufactured by installing the microfibers into a woven fabric by simply looping and knotting the microfiber into the fabric surface. The microfibers extend from the pad surface for a distance of about 0.1 to about 5 millimeters, typically about 0.1 to about 2 millimeters. About 50 to about 80% of the area microfibers per square centimeter of the pad surface as microfibers, preferably about 70 to about 80% fibers per square centimeter for easy, low force but high add-on application of the floor finish materials.

The internal foam reservoir formed within the application pad of the invention can typically contain about 30 to about 85 milliliters of floor finish per square meter of pad. The pad is typically a small open celled foam structure, having

a thickness, before compression during manufacturing that can range from about 0.2 to about 2 centimeter in thickness.

The microfiber systems are small fibers having a dimension of about 0.2 to about 5 denier, typically about 0.8 to about 1.5 denier. The microfibers are typically made from two relatively incompatible polymer materials, for example, polyester and polyamide. The fibers are coextruded and then split into microfilaments during manufacturing. The most common structure of the microfiber is a core structure with wedge shaped perimeter structures having a small, less than 0.5 denier aspect. The yarn made from the microfiber contains high surface area wedge shaped filaments and a core filament. The capillary effect between the wedge shaped filament and the core filament creates a very high absorbency which, in turn, permits the microfiber structures to absorb large amounts of floor finish and enables the pad to apply large amounts of floor finish to the floor with a quality finish having little or no defects in the finish surface. The preferred microfiber includes about 80% polyethylene terephthalate polyester and about 20% polyamide such as a nylon.

The high solids floor finish compositions of the invention that can be used with the microfiber pad technology typically are formulated using an aqueous material in a dispersion or suspension form. Typically, the aqueous floor finish includes an organic polymeric material augmented using a variety of other polymeric materials or additive compositions. Typically finish compositions are formulations that can include water-formulated coatings including aqueous polish compositions in either buffable, self polishing or non-buffable types, temporary protective coatings, or other well-known formulations types. These aqueous coatings can result in a substantially transparent coating after volatilization of the aqueous media. The formulations can include non-volatile, solid film forming polymeric materials dispersed in the aqueous media using dispersing or emulsifying materials to form a uniform aqueous formulation. Such emulsifier or dispersant materials including anionic or nonionic agents are used in sufficient amounts to form a stable aqueous dispersion of the film forming polymeric materials in the aqueous media. Judicious formulation of such film forming materials at high solids content, permits the application of sufficient amounts of the film forming polymer to permit the formation of a thick robust coating in one application or pass. Such formulations

can contain other components of organic or inorganic character in polymeric or non polymeric forms. Such floor finishes can contain a plasticizer, a surfactant (wetting agent) or other additive material that facilitates the formation of a single smooth continuous floor finish layer. The film forming polymer material generally includes  
5 a solid polymeric material that can be emulsified or dispersed in an aqueous media in combination with a wax or other polymer film formers, natural and synthetic resins including alkali soluble resins and other additive materials.

Representative examples and suitable natural and synthetic polymer materials include polymers including vinyl acetate, polymers including vinyl  
10 chloride or vinylidene chloride, polyurethane materials, copolymeric materials including butadiene, acrylonitrile, styrene, vinyl acetate, acrylic monomers, and in particular cross-linked acrylic systems including metal complexed or ionic cross-linked acrylic polymers. Other resins can include terpene materials, terpene-phenolic polymers and others. Representative examples of commercially available  
15 polymeric floor finish the materials can be obtained from Rhom & Haas or SC Johnson Co.

Floor finish formulations of the invention can be manufactured by combining the film forming polymer with an additive package including a plasticizer material. Both permanent and fugitive plasticizers can be incorporated for many applications.  
20 Representative examples of fugitive plasticizers are diethylene glycol (carbitol materials), ethylene glycol, ethylene glycol alkyl ether, benzyl alcohol and ethers thereof, and other such liquid materials. Permanent plasticizer materials include phthalate plasticizers, fatty acid esters of polyols, benzoate esters, tricresyl phosphate, and others. Plasticizers selected for use in formulations of the invention  
25 are chosen in accordance with compatibility and efficiency of introducing the floor finishes of the invention at application temperatures.

Additive materials can also be used in the finish compositions in the invention. Such additives commonly include surfactant a wetting agent compositions. Other additive is can include preservatives, sanitizers, and I forming  
30 agents, preservatives, fragrances, pigments or dyes, leveling agents and other non additives.

An aspect of the floor finish formulations of the invention relates to the amounts of materials present in the floor finish. Preferred compositions can be formulated by combining aqueous preparations of the film forming polymer material, additives, another for acrylic ingredients. The total amount of each material in the aqueous solution is adjusted to provide from about 28 to 45 wt%, preferably 30 to 40 wt% total solids based on the floor finish composition taken as a whole.

A preferred useful formulation for use in the floor finish systems of the invention is as follows:

TABLE

Ultra High Solids Finish

<u>General Description</u>	<u>Range</u>
Water	0 - 20 %
Fluorocarbon wetting agent	0.02- 0.2%
Silicone defoamer	0.02- 0.2%
Glycol ether	5 - 9 %
Tributoxyethyl phosphate	2 - 5 %
Preservative	0.1 - 1 %
Surfactant	0 - 2 %
Polyacrylate emulsion (38%)	55 - 75%
Resin	0 - 7%
Polyethylene/polypropylene wax (30-40%)	5 - 15%

Detailed Description of the Drawings

The invention uses a portable application system such as a back pack container for the floor finish. Such container is fluidly communicated to an applicator wand through a conduit. The applicator wand includes a valve that can help to meter the floor finish onto the floor, through a metering nozzle, a distribution pad and a floor finish conduit. The following Figures detail the mechanical aspects of the floor finish application equipment of the invention. Within the Figures common numbering is used for identical elements in the Figures.

Figure 1 is a depiction of an embodiment of a portable unit of the invention including a back pack of the invention. The back pack 100 includes a case 102 and

a movable or openable lid 101 that can be opened to install or remove a floor finish container (not shown, see Figures 3 and 6). The floor finish container can include a fitting that can be fluidly coupled to a conduit 103 which can provide a pathway for the floor finish liquid. In the operation of the back pack, the lid 101 is opened to  
5 reveal either a space for the installation of a container or the installed container in place inside the back pack. The container is either introduced or replaced with fresh finish containing material. The conduit is coupled to the container, and the backpack is closed.

Figure 2 is a depiction of an embodiment of the reverse side of the back pack  
10 101 of the invention. In Figure 2 is shown the closed opening 101 and the case 102. The conduit 103 is shown extending from the edge of the case 102. On the reverse side of the case 102 of the invention is shown recess or indentation supports 104a and 104b formed in the case to support the introduction of the floor finish container (not shown, see Figures 3 and 6) into case 102. The case 102 is manufactured  
15 preferably from a thermoplastic material that can be made with predetermined molded support surfaces for the container. Indents 104a and 104b provide both a lock and key security feature and to support the filled container of liquid floor finish.

Figure 3 is a depiction of an embodiment of the opened back pack of the invention. In Figure 3, the opening 101 is shown in an open position (not  
20 necessarily fully opened). The container 106 is shown inserted into the container or case 102. The container 106 is supported within the case 102 by support surface 105a and other support surfaces within the molded placement for the container 106 within case 102. The container is equipped with a coupling structure 107a and 107b that permits the conduit 103 to conduct floor finish from container 106 to the  
25 application wand (not shown). The conduit 103 is held in place in the back pack 102 by conduit restraint 108 that restrains the conduit in place in the back pack during operation. The back pack 100 is adapted for use by left handed or right handed application personnel by forming a conduit restraint 108 on either side of the back pack (both left and right). The back pack is adapted for easy replacement of  
30 container 106 by unattaching the conduit 103 from the container and simply removing container 106 from the case 102 taking care to remove and install the container 106 without damage to the coupling 107a and 107b.

Figure 4 is a close up view depicting an embodiment of the coupling 107a and 107b, attached to the container 106 and installed in the support structure 105a and 105b. The fluid coupling 107a and 107b for fluid communication of the floor finish from container 106 to conduit 104 is accomplished using a two part coupling structure. The coupling structure includes a rotary cap 107a and a container aperture device 107b with mounting rings 108a and 108b. In an embodiment, when the container 106 is installed in the back pack 102 on the support surface 105b, the container aperture device is installed into an opening 105a that is gripped by the rings 108a and 108b of the container aperture device 107b. The ring structure 108a and 108b of aperture device 107b maintains the container 106 fixedly in place in the back pack 102. The container aperture device provides fluid communication from the container through the aperture 107b to the rotary cap 107a and the high solids floor finish readily passes from the container through the aperture into the rotary cap and then through the conduit 103 to the application wand (not shown). In Figure 4, ring 108a and ring 108b form a gripping surface that grips opening 105a to maintain the container in position.

Figure 5 shows details of an embodiment of the conduit restraint system. The restraint system includes edges 109a and 109b, indentation 110 and surface 111 formed back pack 102. In the embodiment shown in Figure 3, the back pack 102 includes a conduit restraint in both the left hand and right hand aspect of back pack 102. A recess 110 provides a location for the conduit of the invention while restraint

edges 109a and 109b maintain the conduit against the recess 110. The profile of surface 111 in the molded portion of the back pack 102 provides a location for the conduit 104 that ensures the conduit is not bent to obstruct flow of the floor finish. In an embodiment, the container restraint structure compresses the hose or conduit  
5 by about 5% or less to ensure that the hose or conduit is restrained by the structure.

Figure 6 is a depiction of an embodiment of the floor finish container 106 of the invention. In this embodiment, the floor finish container 106a is adapted to closely fit the internal space within the case 102. The external surfaces of the container 106a are complementary to the inside surfaces of the case 102. In  
10 particular, surface 114 and 113 are adapted for the support structures or surfaces 105 formed in the case that closely fit the container 106a to ensure that the container is well maintained within the case during application of the floor finish. The container has a coupling attachment surface 112 that provides a location for the installation of the coupling device 107a and 107b for the conduit 104.

Figure 7 is a detail depiction of an embodiment of application wand 119a  
15 of the invention. In this embodiment, the coupling device 107a and 107b are installed onto the container 106 (not shown) within the back pack of the invention. The conduit 103 extends to a coupling 115 that fluidly couples a flow of the floor finish to a hose 117 that conducts the floor finish to the applicator nozzle metering  
20 port 118. The handle 116 is installed with a trigger 116a that is adapted to trigger a

release of the floor finish from the metering port 118 to ensure that a substantial proportion of the high solids floor finish is applied to the floor for distribution.

Figure 8 is an embodiment of the distal, applicator portion of wand of the invention. In Figure 8 is shown the wand having installed on the wand 119 a  
5 metering port 118 an applicator nozzle 120. Floor finish is delivered to the application nozzle 120 through conduit 117. When the flow of the finish is triggered by trigger 116a (not shown), a volume of the floor finish is released through nozzle 120 onto the floor. The liquid is then distributed by the pad. The applicator pad 123 is installed onto a pad attachment 122 that provides a support surface for the pad  
10 123. In this embodiment, the opposite ends of the attachment 122 are placed into pockets 124 formed in the pad 123 that maintains the pad on an installed position on the attachment 122 of the wand structures 119.

Figures 9A and 9B show an alternative embodiment of pad 123 involving a Velcro attachment. In Figure 9A, the pad Velcro surface 125 is shown. The Velcro  
15 surface is sewn to the microfiber surface (see Figure 9B) using a sewn attachment 128 and sewn perimeter 126. Figure 9B shows the microfiber surface 127 having a distribution of microfibers installed into a woven or non-woven fabric used for floor finish distribution. Positioned between the Velcro attachment surface 125 and the microfiber surface 127 is a foam reservoir (not shown) having an internal volume  
20 sufficient to maintain a volume of the liquid floor finish.

Figure 10 is a depiction of an embodiment of a cross-section of the pad of the invention. In figure 10 is shown in the microfiber surface 127, the Velcro attachment surface 125, the internal foam reservoir section 129 that are all assembled using the stitched assembly structure 128.

ExperimentalExample 1

Using the portable floor finish unit shown in the Figures, an aqueous floor finish composition:

5

<u>General Description</u>	<u>Range</u>
Water, soft	8.15
Zonyl FSJ	0.05
SWS 211	0.03
Diethylene glycol methyl ether	6.00
Texanol	1.50
KP-140	1.20
Kathon CG/ICP	0.07
Rhopex B-1162 (Rohm & Haas)	68.00
Conrez 500 (25%)	4.00
AC-325 (35%)	5.00
AC-540 (40%)	6.00
TOTAL	100.00

was applied to a resilient vinyl floor, in one application, at an add on amount of about 3.8 liters (1 gallon) per each 30 m<sup>2</sup> (about 1000 ft<sup>2</sup>). The applied aqueous material was allowed to dry to a glossy film having a thickness of about 0.01 mm.

10

Example 2

Using the portable floor finish unit shown in the Figures, an aqueous floor finish composition:

<u>General Description</u>	<u>Range</u>
Water, soft	16.25
Zonyl FSJ	0.05
SWS 211	0.03
Diethylene glycol ethyl ether	5.40
Dipropylene glycol methyl ether	1.50
KP-140	1.70
Kathon CG/ICP	0.07
MorGlo 2 (Omnova)	60.00
Conrez 500 (25%)	6.00
AC-325 (35%)	4.00
AC-540 (40%)	5.00
TOTAL	100.00

was applied to a resilient vinyl floor, in one application, at an add on amount of about 3.8 liters (1 gallon) per each 30 m<sup>2</sup> (about 1000 ft<sup>2</sup>). The applied aqueous material was allowed to dry to a glossy film having a thickness of about 0.03 mm.

5

It should be noted that, as used in this specification and the appended claims, the singular forms "a," "an," and "the" include plural referents unless the content clearly dictates otherwise. Thus, for example, reference to a composition containing "a compound" includes a mixture of two or more compounds. It should also be noted that the term "or" is generally employed in its sense including "and/or" unless the content clearly dictates otherwise.

It should also be noted that, as used in this specification and the appended claims, the phrase "adapted and configured" describes a system, apparatus, or other structure that is constructed or configured to perform a particular task or adopt a particular configuration to. The phrase "adapted and configured" can be used interchangeably with other similar phrases such as arranged and configured, constructed and arranged, adapted, constructed, manufactured and arranged, and the like.

Certain structures, materials of construction or claim elements have been described using a set of nomenclature consistent with the description of the invention. While the nomenclature using this application is adequate for the

description found herein, the description includes alternative language or synonyms that can also be used to describe the structures, materials of construction or claim elements. Simply substituting a synonym is not to resolve the use of this structure in infringement mode.

5           While embodiments of this invention as described in this specification and drawings are fully capable of applying the sufficient liquid floor finish in one application to form a thick robust floor finish, and achieve all the purposes, objects and aspects of the invention desired, the invention is not limited solely to the structures described in the invention disclosure and drawings that are provided for  
10 illustration purposes. As such, the invention is found in the claims hereinafter appended.

## WE CLAIM:

1. A method of forming a floor finish layer on the resilient vinyl floor, the method comprising:
  - 5 (a) applying an aqueous floor finish composition to the resilient vinyl floor, the floor finish composition comprising greater than about 30 wt.-% solids, at a rate of addition of floor finish of about 30 to 90 milliliters of aqueous floor finish per each square meter of the floor; and
  - 10 (b) forming a substantial uniform dried floor finish layer having a thickness of about 0.01 to 0.03 mm and about 10 to 35 gm-m<sup>-2</sup> of dried floor finish on the resilient vinyl floor.
2. The method of claim 1, further comprising filtering the floor finishing composition before applying it to the floor.
- 15 3. The method of claim 1, further comprising:
  - retaining the fluid in a container comprising a normally-closed valved coupling;
  - opening the valve by coupling the container to a conduit that provides fluid communication to the floor; and
  - 20 passing fluid through the coupling.
4. The method of claim 3, further comprising filtering the fluid before it passes through the coupling.
- 25 5. The method of claim 1 wherein the dried floor finish layer comprises about 15 to 30 gm-m<sup>-2</sup>.
6. The method of claim 4 wherein the floor finish layer comprises a layer formed by a single application of the liquid floor finish material.
- 30 7. The method of claim 1 wherein the floor finish is applied by metering about 35 to 80 milliliters of aqueous floor finish onto a floor surface and distributing the aqueous

floor finish using the microfiber pad, wherein the application and distribution step are repeated at least once.

5 8. The method of claim 1 wherein the floor finish is applied from a portable unit that is replenished with aqueous floor finish.

9. The method of claim 8 wherein the portable unit comprises a backpack configured to contain 5 to 15 liters of floor finish.

10 10. A system capable of forming a floor finish layer on a resilient vinyl floor, the system comprising:

(a) a portable container for liquid floor finish having a reservoir of about 5 to 20 liters, the container comprising a coupling providing fluid communication to a wand applicator; and

15 (b) a wand applicator comprising a handle, an applicator pad and a conduit providing fluid communication of floor finish from the container to the applicator pad

20 wherein the applicator pad includes an attachment surface, and an internal foam reservoir characterized in that the applicator pad further contains a microfiber application surface, and the wand applicator comprises apparatus to meter the aqueous floor finish.

25 11. The system of claim 10 wherein the portable container comprises a backpack comprising a case adapted for supporting a container of liquid floor finish.

12. The system of claim 10 wherein the coupling comprises a rotary coupling.

30 13. The system of claim 10, wherein the coupling comprises a filter adapted and configured to filter the fluid before it enters the coupling or the conduit.

14. The system of claim 13, wherein the filter comprises a resilient, elongated filter element.

15. The system of claim 10, wherein the coupling comprises a normally closed valve and a valve actuator; the normally closed valve being adapted and configured to retain fluid in the container when the container is not coupled to the conduit; the actuator  
5 being arranged and configured to open the valve upon coupling to the conduit.

16. The system of claim 10, wherein the handle comprises apparatus to meter the aqueous floor finish.

10 17. The system of claim 10, wherein the container comprises a flexible, collapsible bag; the bag comprising two polymeric layers; the outer lay being an oxygen barrier.

18. The system of claim 10, wherein the case comprises a hose restraint.

FIG. 1

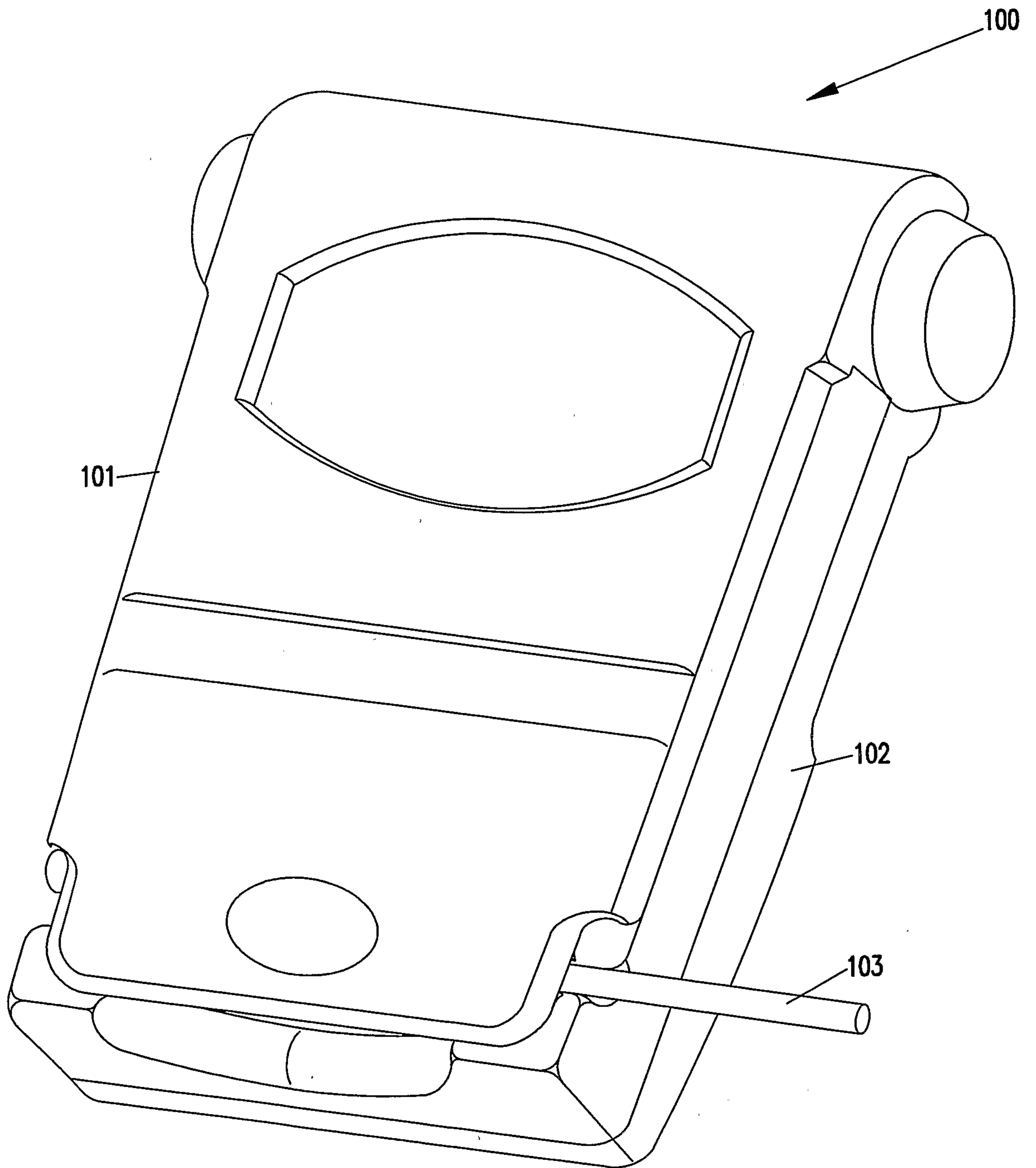


FIG. 2

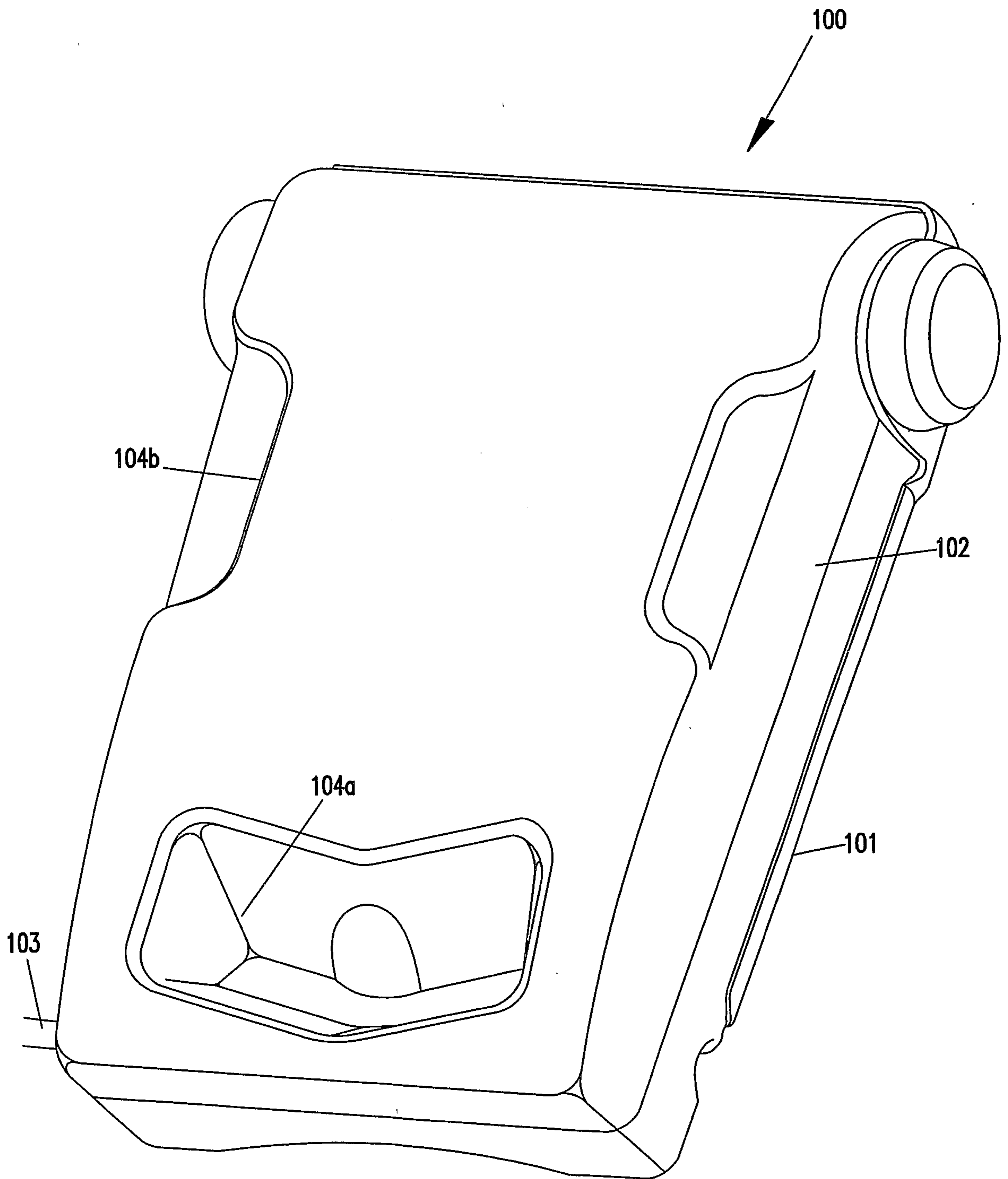


FIG. 3

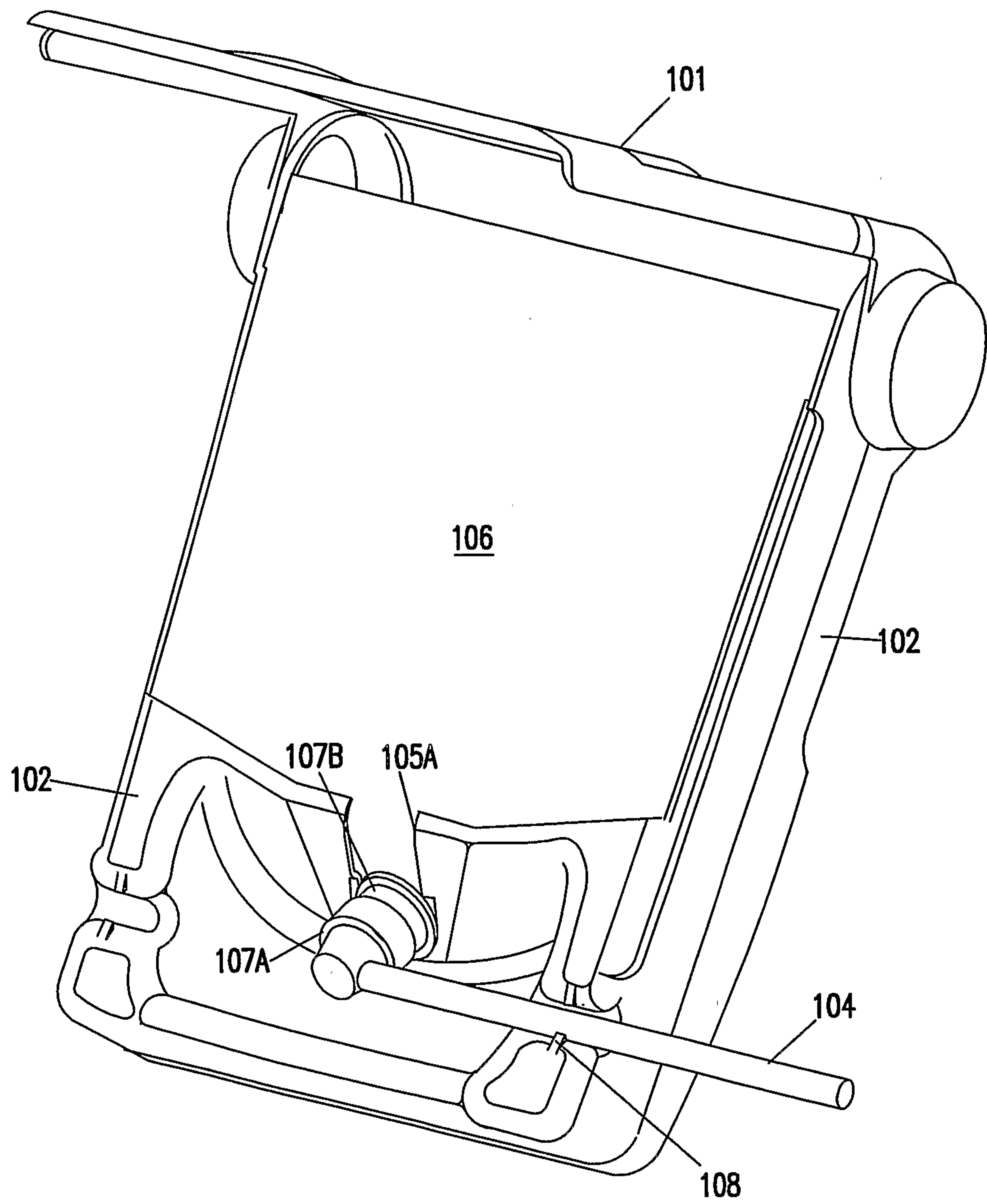


FIG. 4

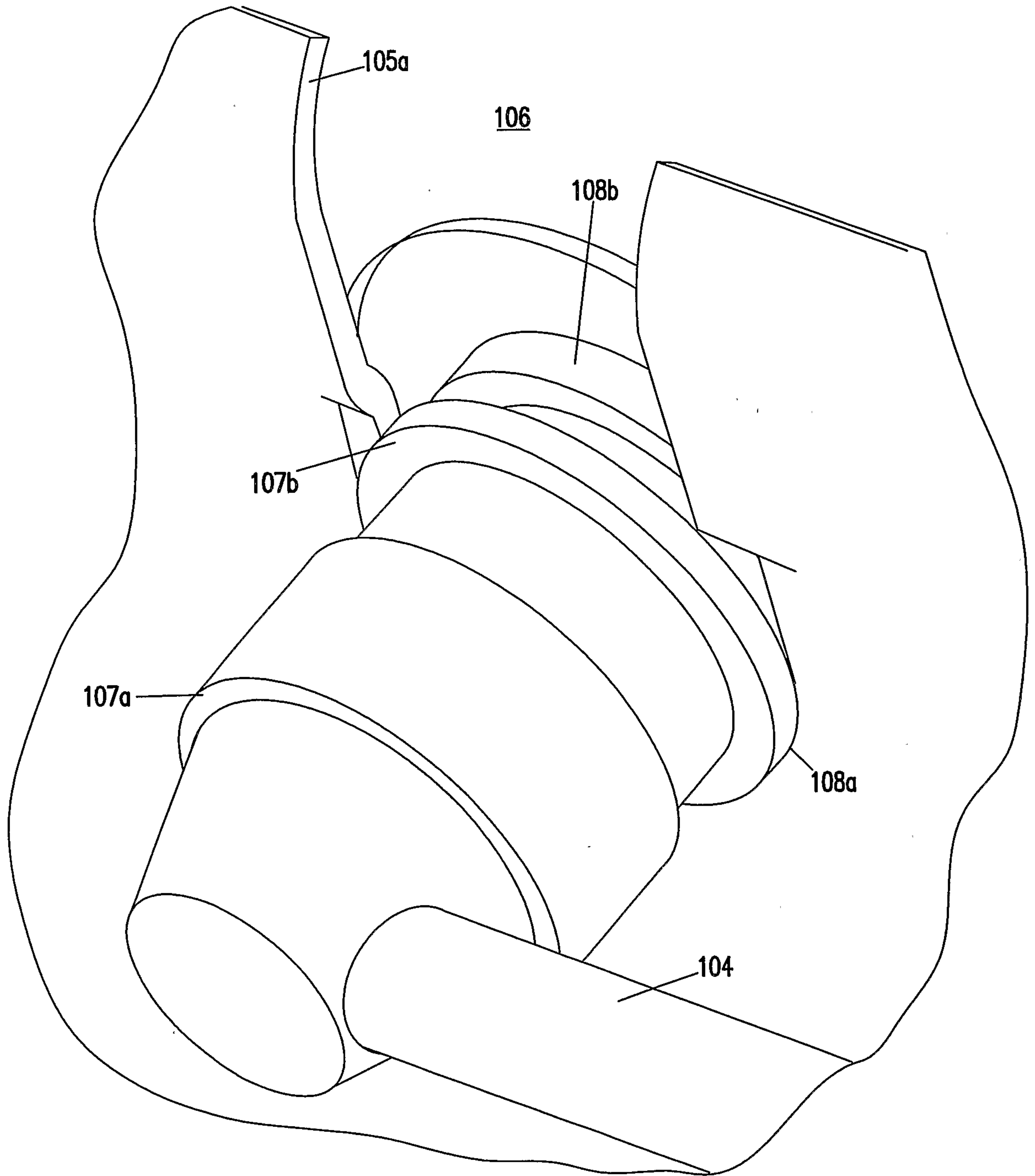


FIG. 5

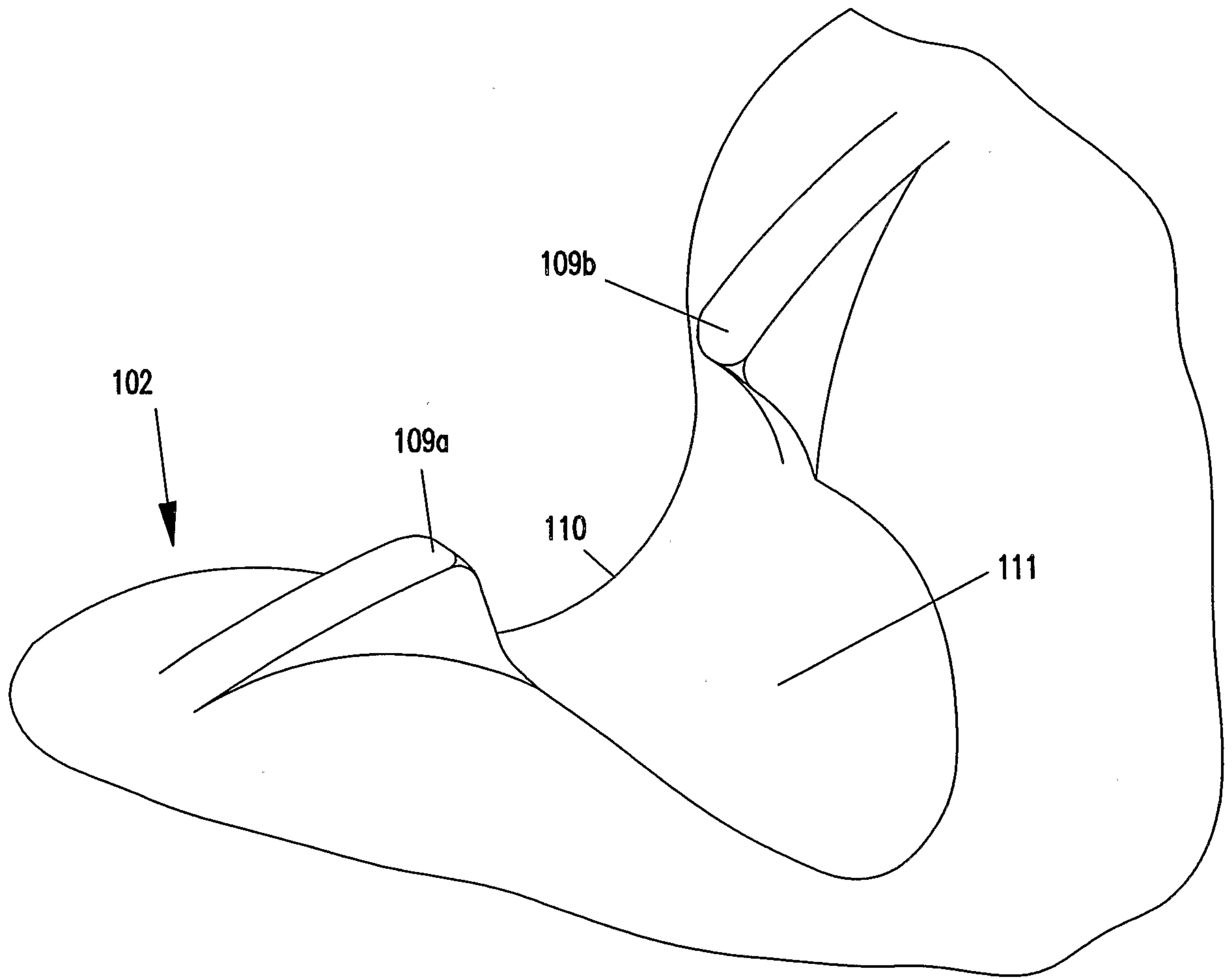


FIG. 6

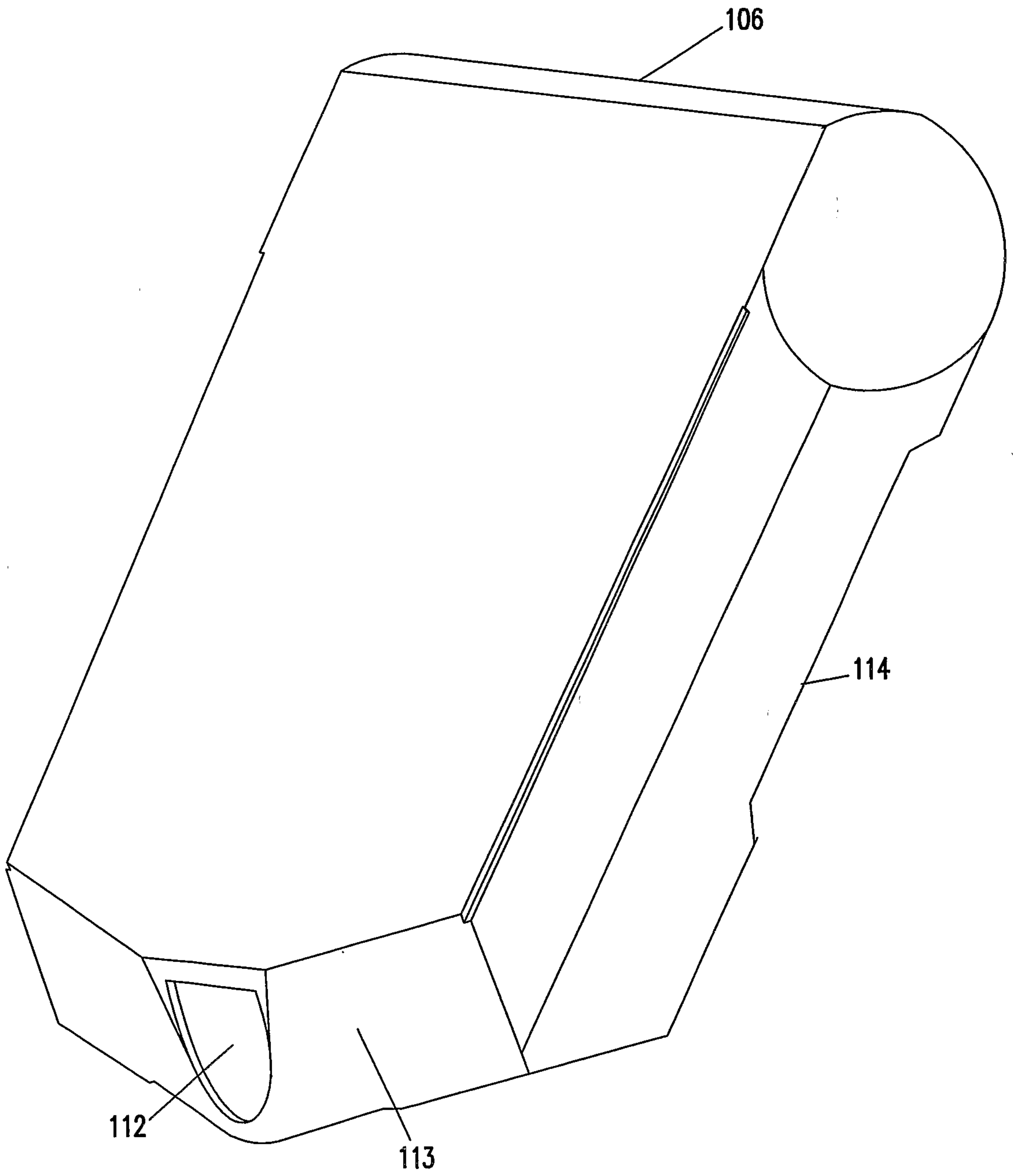


FIG. 7

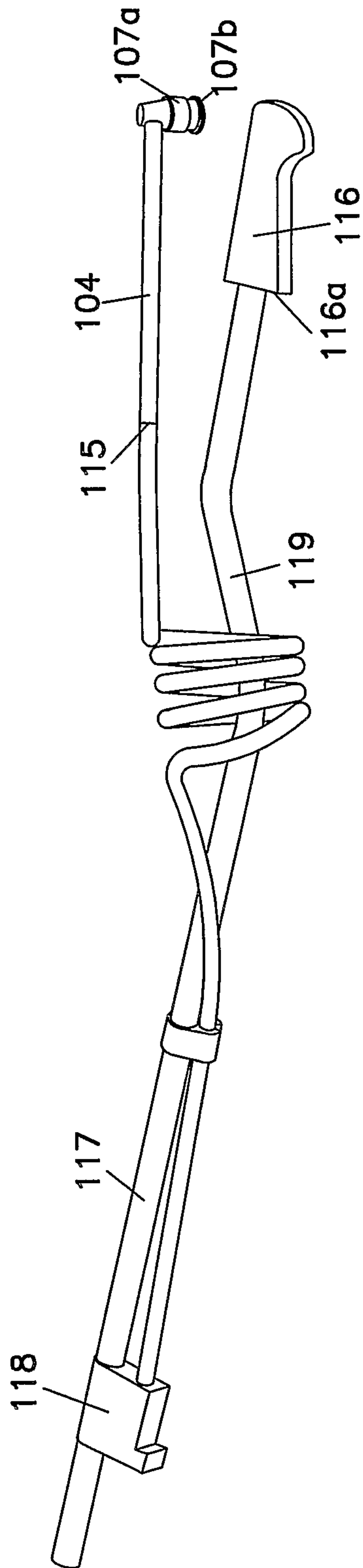


FIG. 8

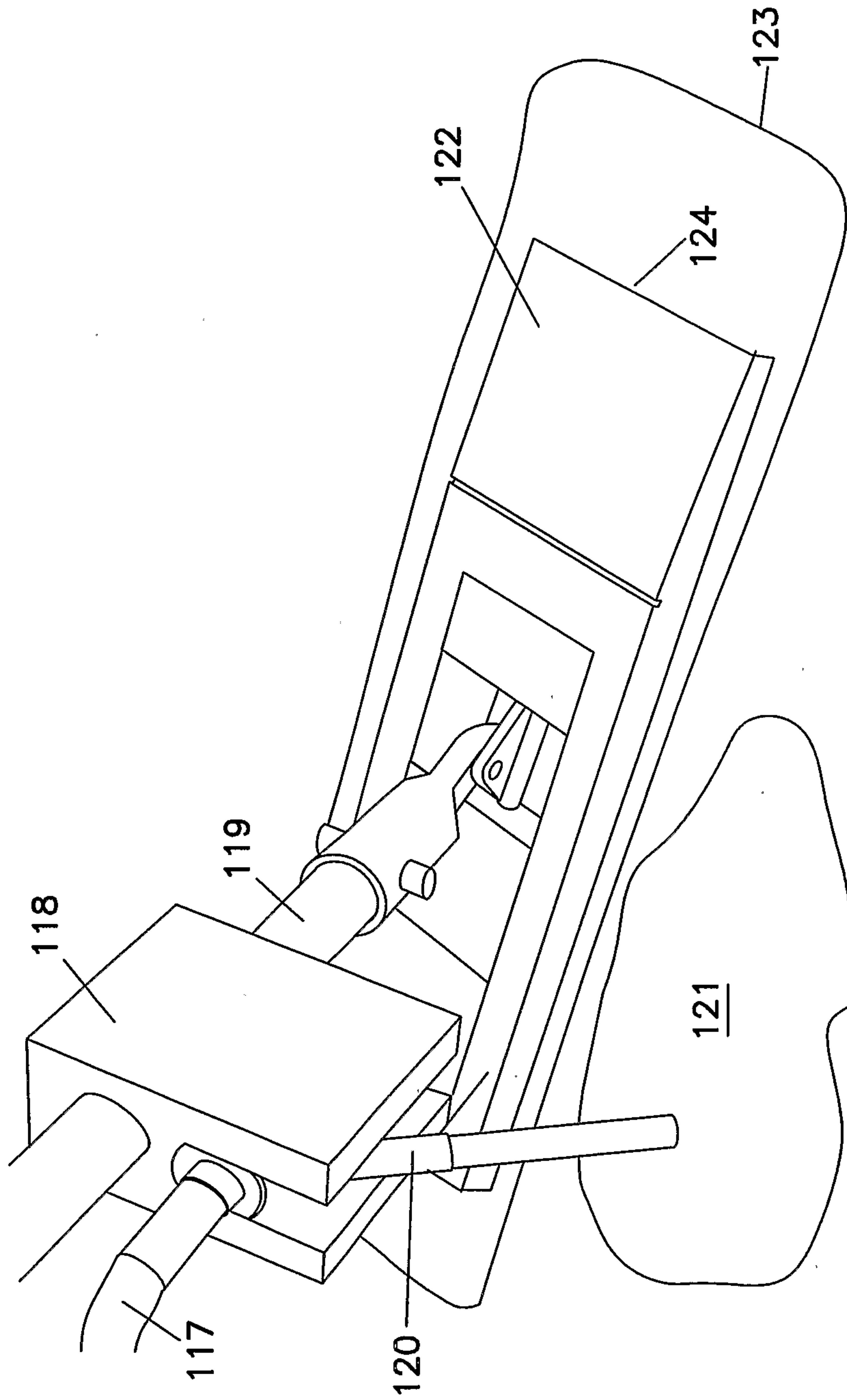


FIG. 9A

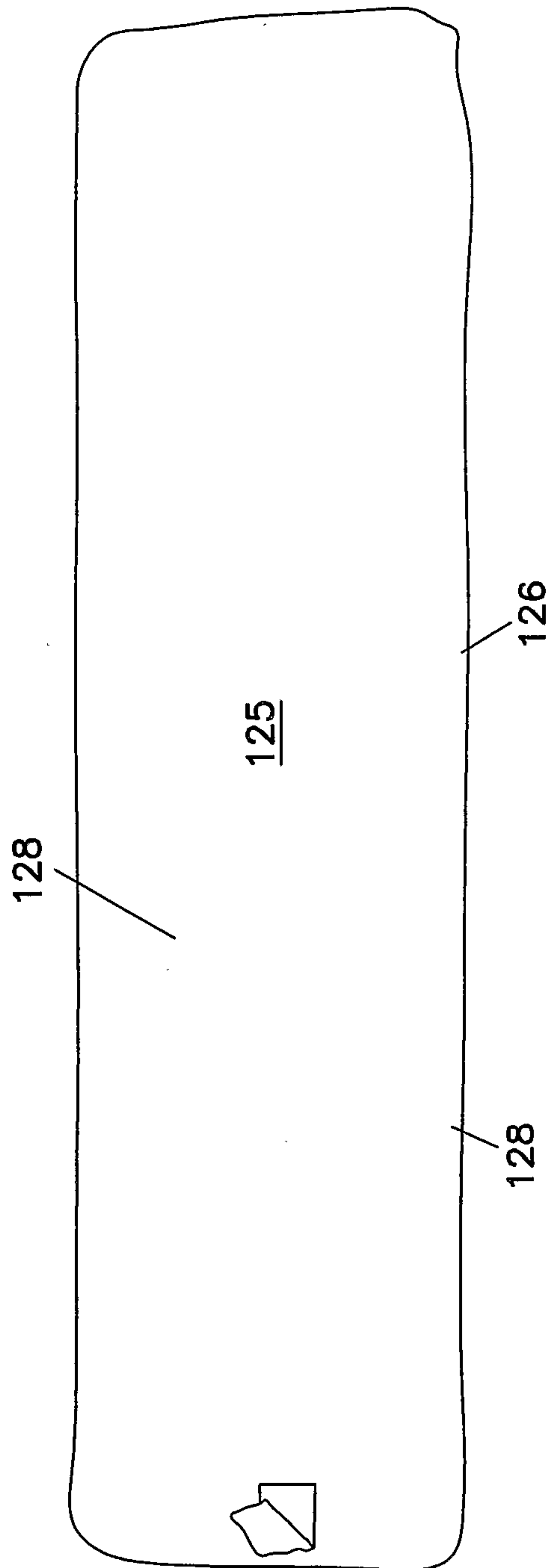


FIG. 9B

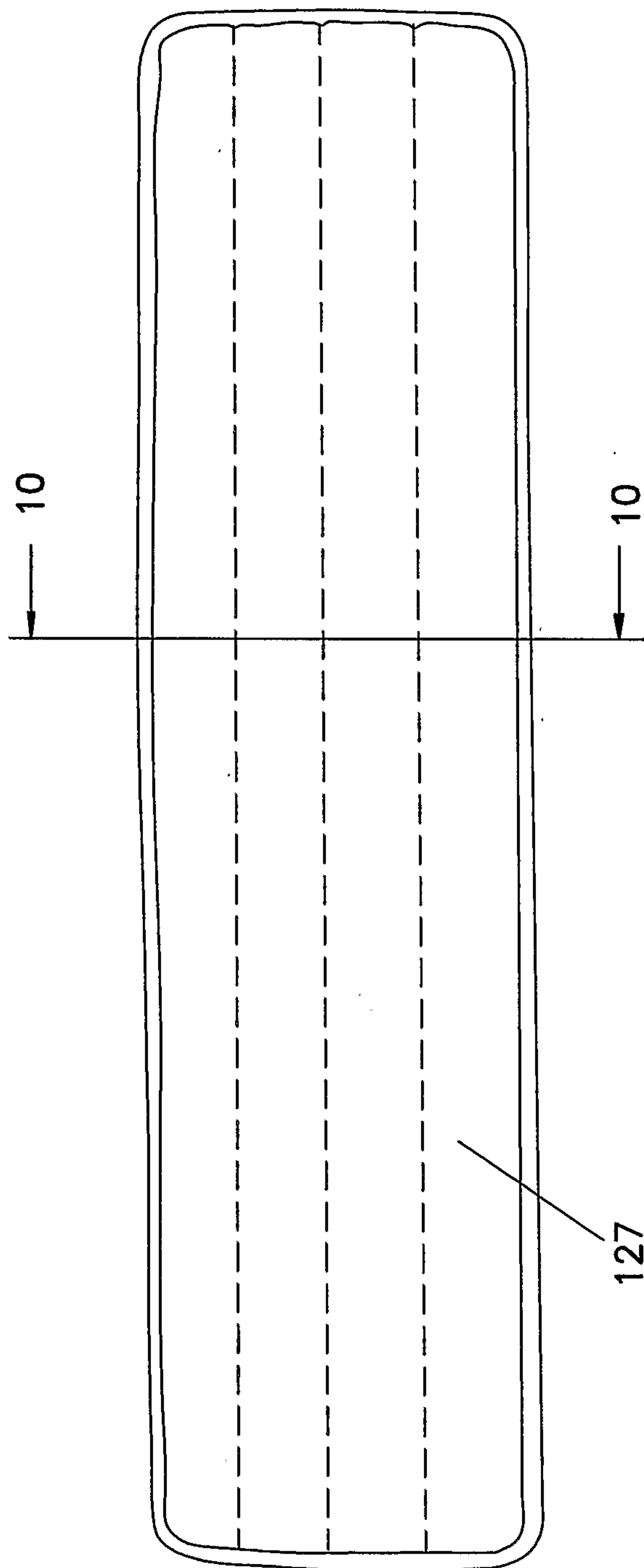


FIG. 10

