



US00D682467S

(12) **United States Design Patent**
Kim

(10) **Patent No.:** **US D682,467 S**

(45) **Date of Patent:** **** May 14, 2013**

(54) **HAIR IRON**

(75) Inventor: **Hae Jin Kim**, Seoul (KR)

(73) Assignee: **GHD Korea, Inc.**, Chungcheongnam-Do (KR)

(**) Term: **14 Years**

(21) Appl. No.: **29/394,465**

(22) Filed: **Jun. 17, 2011**

(30) **Foreign Application Priority Data**

Dec. 17, 2010 (KR) 30-2010-0054795

(51) **LOC (9) Cl.** **28-03**

(52) **U.S. Cl.**
USPC **D28/35**

(58) **Field of Classification Search** D28/35-38;
132/223-272; 219/222, 225-226
See application file for complete search history.

(56) **References Cited**

U.S. PATENT DOCUMENTS

D537,983 S *	3/2007	Shin	D28/35
D570,043 S *	5/2008	Leung	D28/35
D581,591 S *	11/2008	Hein	D28/35
D599,058 S *	8/2009	Kim	D28/35

D606,255 S *	12/2009	Leung	D28/35
D627,926 S *	11/2010	Nenadich	D28/35
D632,430 S *	2/2011	Kim	D28/35
D646,022 S *	9/2011	Schmitz	D28/35
D651,742 S *	1/2012	Kim	D28/35
2002/0190047 A1 *	12/2002	Nam	219/222

* cited by examiner

Primary Examiner — Jennifer Rivard

(74) *Attorney, Agent, or Firm* — Duane Morris LLP; J. Rodman Steele, Jr.; Gregory M. Lefkowitz

(57) **CLAIM**

The ornamental design for a hair iron, as shown and described.

DESCRIPTION

FIG. 1 is a perspective view of a hair iron in accordance with the new design;

FIG. 2 is a front elevational view thereof;

FIG. 3 is a rear elevational view thereof;

FIG. 4 is a left side elevational view thereof;

FIG. 5 is a right side elevational view thereof;

FIG. 6 is a top plan view thereof;

FIG. 7 is a bottom plan view thereof; and,

FIG. 8 is a rear perspective view thereof.

The broken lines shown in the drawings illustrate portions of the hair iron and form no part of the claimed design.

1 Claim, 3 Drawing Sheets

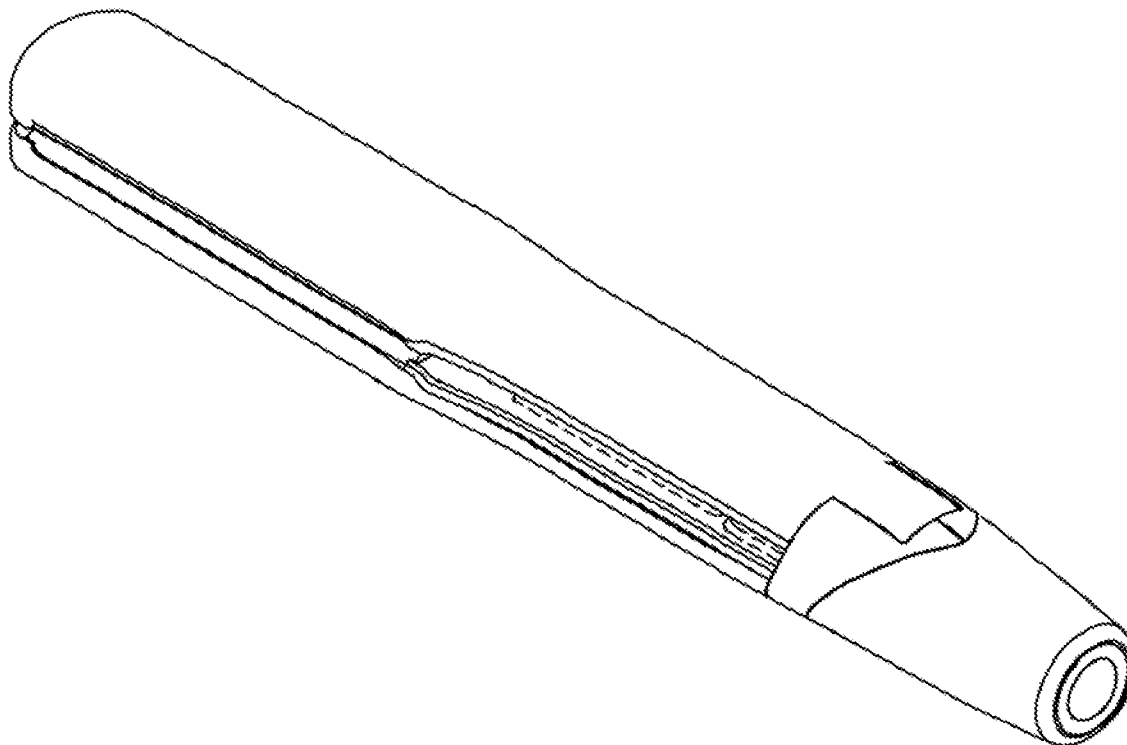


Fig. 1

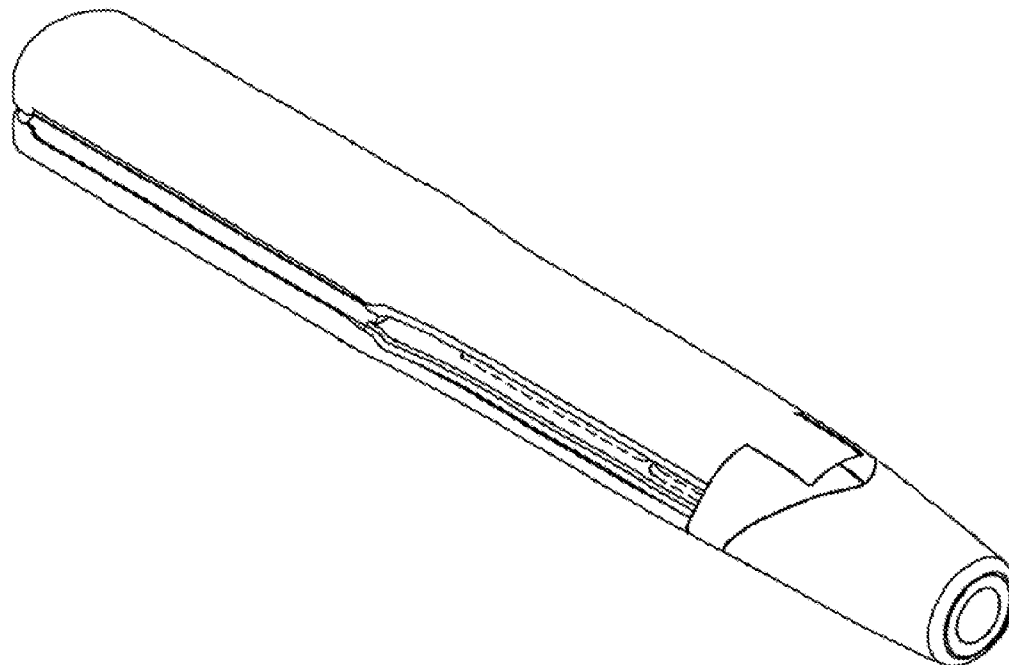


Fig. 2

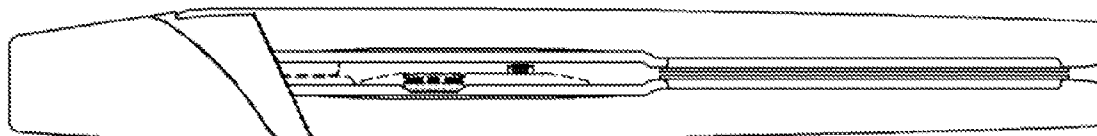


Fig. 3

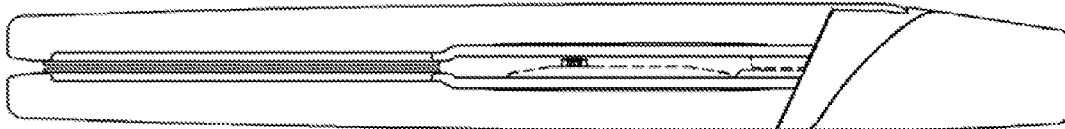


Fig. 4

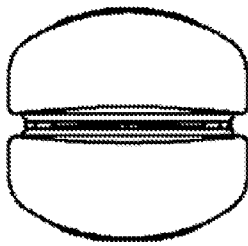


Fig. 5

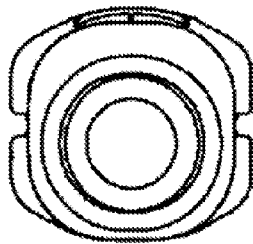


Fig. 6



Fig. 7



Fig. 8

