



US00D766331S

(12) **United States Design Patent**  
**Vaseleniuck et al.**

(10) **Patent No.:** **US D766,331 S**  
(45) **Date of Patent:** **\*\* Sep. 13, 2016**

(54) **SEAL**  
(71) Applicant: **VAZTEC, LLC**, Denver, NC (US)  
(72) Inventors: **Darrick Vaseleniuck**, Denver, NC (US); **David Vaseleniuck**, Denver, NC (US)  
(73) Assignee: **Vaztec, LLC**, Denver, NC (US)  
(\*\*) Term: **14 Years**  
(21) Appl. No.: **29/516,108**

6,192,849 B1 \* 2/2001 Powell ..... F02B 75/22  
123/184.34  
6,295,961 B1 10/2001 Carter  
6,308,677 B1 10/2001 Bohach  
6,575,141 B2 \* 6/2003 Murphy ..... F02B 75/22  
123/468  
7,240,654 B2 7/2007 Verdial  
D572,348 S \* 7/2008 Arosio ..... D15/5  
7,789,066 B2 \* 9/2010 Torii ..... F02D 9/103  
123/336  
8,555,847 B2 \* 10/2013 Menin ..... F02B 31/06  
123/184.21  
D728,757 S \* 5/2015 Graham ..... D23/269

(Continued)

(22) Filed: **Jan. 29, 2015**  
(51) **LOC (10) Cl.** ..... **15-01**  
(52) **U.S. Cl.**

FOREIGN PATENT DOCUMENTS

USPC ..... **D15/5**

EP 0099873 2/1984

(58) **Field of Classification Search**

OTHER PUBLICATIONS

USPC ..... D15/5; 123/190.1, 190.17, 184.53;  
D23/259-266, 269, 393; 277/500, 586;  
251/311  
CPC ..... F01L 7/02; F01L 7/027; F01L 7/025;  
F01L 2101/02; F01L 7/021; F01L 7/16;  
F02F 1/24; F16J 15/3488; F16J 15/3296;  
F16J 15/3472; F16J 15/062; F16J 15/106;  
F16J 15/125; F16K 5/0689; F16K 5/0464;  
F16K 5/0668; E03F 5/06; F16L 23/036;  
F16L 23/08; F16L 9/003; F16L 19/064;  
F16L 19/10283; F16L 19/065; B21D 22/16  
See application file for complete search history.

Vorobiev, V., International Search Report for PCT/US2012/059506,  
Dec. 24, 2012, Moscow, Russia.

*Primary Examiner* — T. Chase Nelson  
*Assistant Examiner* — Ania Aman  
(74) *Attorney, Agent, or Firm* — Trego, Hines &  
Ladenheim, PLLC; Brandon Trego; Jonathan Hines

(57) **CLAIM**  
We claim the ornamental design for the seal, as shown and described.

(56) **References Cited**

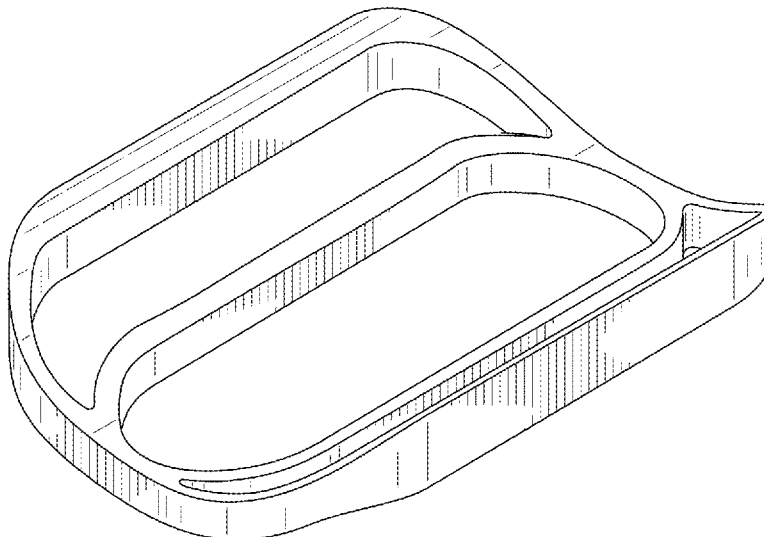
**DESCRIPTION**

U.S. PATENT DOCUMENTS

1,094,329 A 4/1914 Henderson  
1,794,061 A 2/1931 Culver  
3,286,792 A \* 11/1966 Wall ..... F01M 11/00  
123/196 R  
4,036,184 A 7/1977 Guenther  
4,119,077 A \* 10/1978 Vallejos ..... F01L 5/02  
123/188.4  
4,256,061 A \* 3/1981 Lappa ..... F02B 57/06  
123/44 D

FIG. 1 is a perspective view of the seal, showing my design;  
FIG. 2 is a top view of the seal of FIG. 1;  
FIG. 3 is a bottom view of the seal of FIG. 1;  
FIG. 4 is a right side elevation of the seal of FIG. 1;  
FIG. 5 is a left side elevation of the seal of FIG. 1;  
FIG. 6 is a front elevation of the seal of FIG. 1; and,  
FIG. 7 is a rear elevation of the seal of FIG. 1.

**1 Claim, 3 Drawing Sheets**



# US D766,331 S

Page 2

---

(56)

## References Cited

### U.S. PATENT DOCUMENTS

2002/0148428	A1	10/2002	Pisano et al.		2006/0150930	A1	7/2006	Swenson	
2003/0160452	A1*	8/2003	Mattsson .....	F16L 9/003	2008/0142752	A1*	6/2008	Matzner .....	F16K 5/0464
				285/424					251/314
2004/0107937	A1*	6/2004	Coates .....	F01L 1/022	2011/0277719	A1	11/2011	Snow	
				123/190.1	2015/0137020	A1*	5/2015	Fan .....	F16K 5/0642
									251/315.01
					2015/0184761	A1*	7/2015	Kusakabe .....	F16J 15/062
									251/314

\* cited by examiner

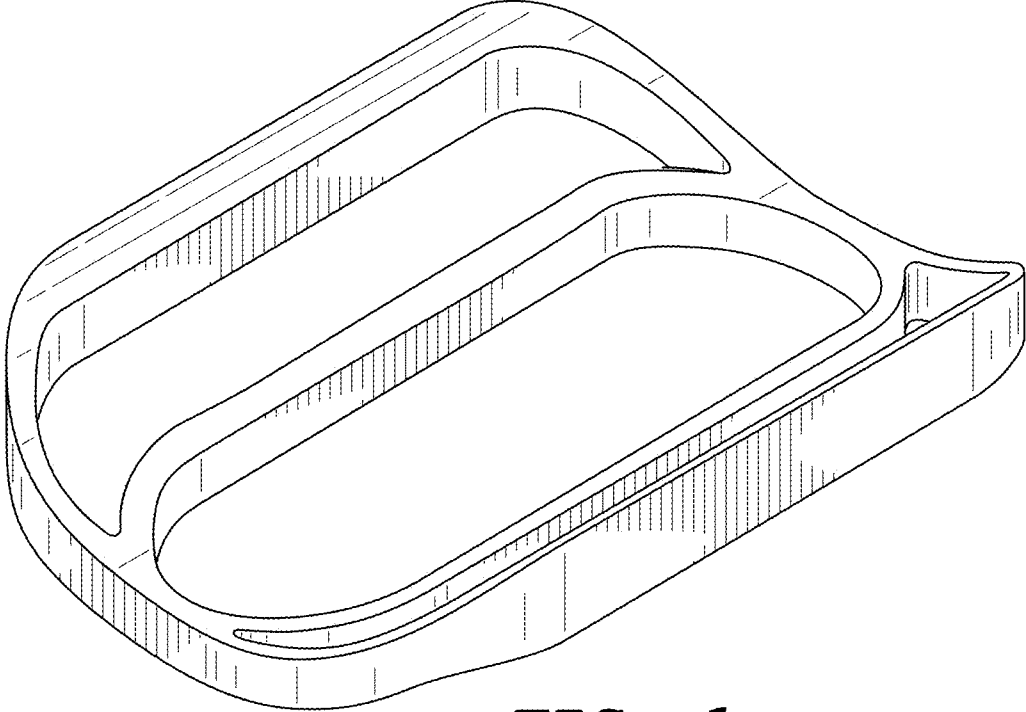


FIG. 1

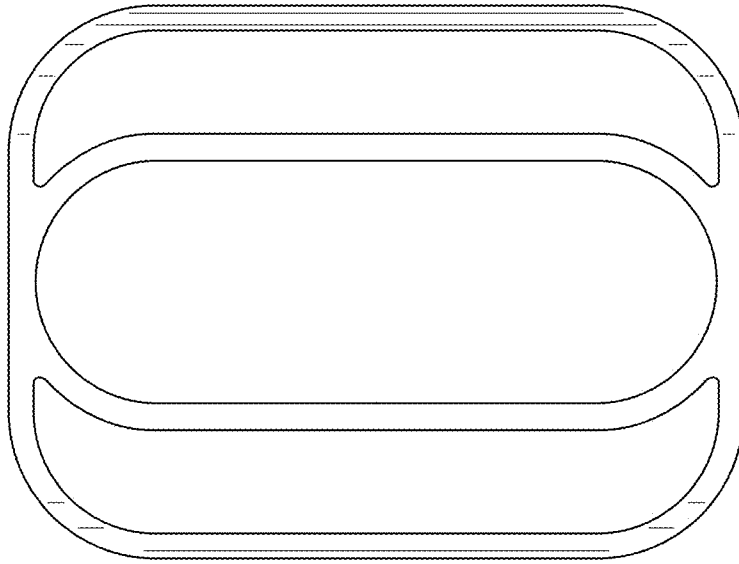


FIG. 2

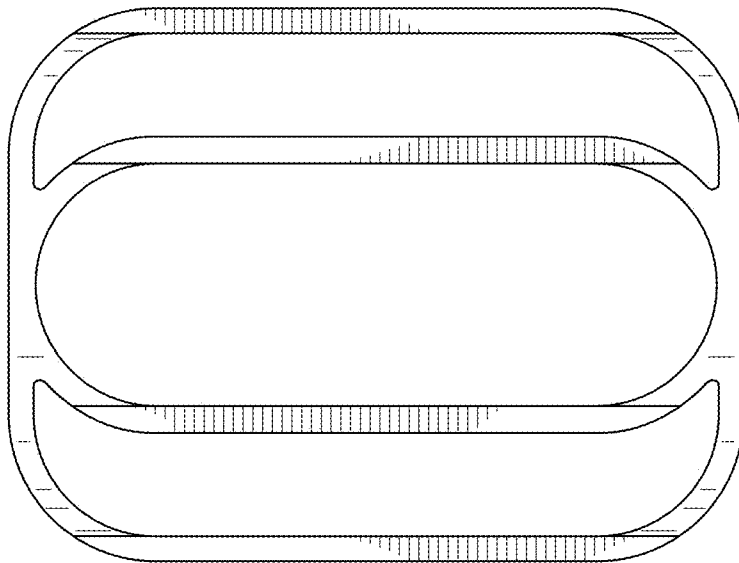


FIG. 3

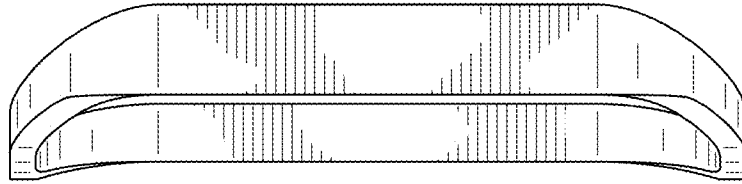


FIG. 4

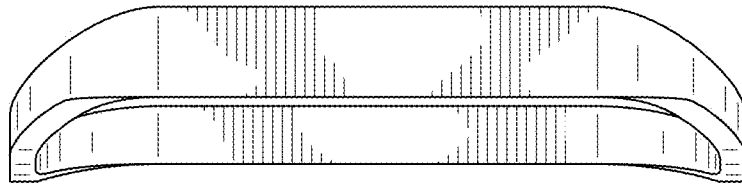


FIG. 5

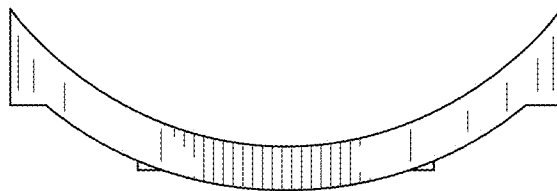


FIG. 6

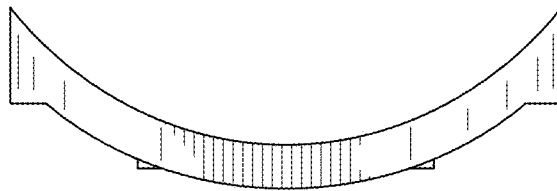


FIG. 7