

(19) World Intellectual Property  
Organization  
International Bureau



(43) International Publication Date  
29 January 2004 (29.01.2004)

PCT

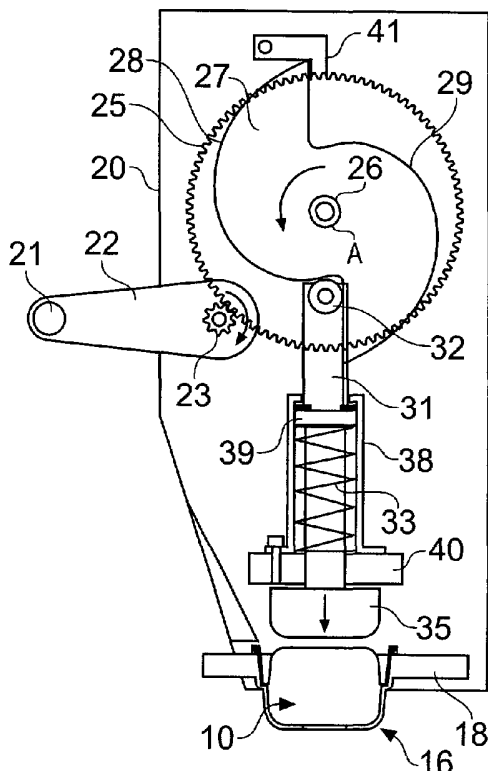
(10) International Publication Number  
**WO 2004/009486 A3**

- (51) International Patent Classification<sup>7</sup>: **B67D 1/00**, 5/02, B41F 31/08
- (21) International Application Number: PCT/GB2003/003079
- (22) International Filing Date: 15 July 2003 (15.07.2003)
- (25) Filing Language: English
- (26) Publication Language: English
- (30) Priority Data:  
0217235.1 24 July 2002 (24.07.2002) GB  
0306597.6 21 March 2003 (21.03.2003) GB
- (71) Applicant (for all designated States except US): **MCGILL TECHNOLOGY LIMITED** [GB/GB]; McGill Technology Building, Endeavour Park, London Road, Addington, West Malling, Kent ME19 5TW (GB).
- (72) Inventors; and
- (75) Inventors/Applicants (for US only): **MCGILL, Shane, Robert** [GB/GB]; McGill Technology Building, Endeavour Park, London Road, Addington, West Malling, Kent ME19 5TW (GB). **WHITE, Martin** [GB/GB]; McGill Technology Building, Endeavour Park, London Road, Addington, West Malling, Kent ME19 5TW (GB).
- (74) Agents: **COWAN, David, Robert** et al.; Withers & Rogers, Goldings House, 2 Hays Lane, London, SE1 2HW (GB).
- (81) Designated States (national): AE, AG, AL, AM, AT, AU, AZ, BA, BB, BG, BR, BY, BZ, CA, CH, CN, CO, CR, CU, CZ, DE, DK, DM, DZ, EC, EE, ES, FI, GB, GD, GE, GH, GM, HR, HU, ID, IL, IN, IS, JP, KE, KG, KP, KR, KZ, LC, LK, LR, LS, LT, LU, LV, MA, MD, MG, MK, MN, MW, MX, MZ, NI, NO, NZ, OM, PG, PH, PL, PT, RO, RU, SC, SD, SE, SG, SK, SL, SY, TJ, TM, TN, TR, TT, TZ, UA, UG, US, UZ, VC, VN, YU, ZA, ZM, ZW.

[Continued on next page]

(54) Title: CAM-DRIVE MECHANISM FOR PISTON FOR DISPENSING FLUIDS OUT OF A FLEXIBLE PACKAGE

(57) Abstract: The invention is particularly concerned with providing a drive mechanism to extrude product from containers. In order to reduce the amount of effort which manual operation would entail there is provided a gear wheel (23) meshing with the driven gear through high ratio gearing, the driven gear (25) being associated with a cam (27) about which is located a cam follower (32). The cam follower carries a plunger arranged to move to engage the container (10) and discharge product therefrom.



WO 2004/009486 A3



**(84) Designated States (regional):** ARIPO patent (GH, GM, KE, LS, MW, MZ, SD, SL, SZ, TZ, UG, ZM, ZW), Eurasian patent (AM, AZ, BY, KG, KZ, MD, RU, TJ, TM), European patent (AT, BE, BG, CH, CY, CZ, DE, DK, EE, ES, FI, FR, GB, GR, HU, IE, IT, LU, MC, NL, PT, RO, SE, SI, SK, TR), OAPI patent (BF, BJ, CF, CG, CI, CM, GA, GN, GQ, GW, ML, MR, NE, SN, TD, TG).

— *before the expiration of the time limit for amending the claims and to be republished in the event of receipt of amendments*

**(88) Date of publication of the international search report:**  
29 April 2004

**Published:**

— *with international search report*

*For two-letter codes and other abbreviations, refer to the "Guidance Notes on Codes and Abbreviations" appearing at the beginning of each regular issue of the PCT Gazette.*

INTERNATIONAL SEARCH REPORT

PCT/GB<sup>03</sup>/03079

**A. CLASSIFICATION OF SUBJECT MATTER**

IPC 7 B67D1/00 B67D5/02 B41F31/08

According to International Patent Classification (IPC) or to both national classification and IPC

**B. FIELDS SEARCHED**

Minimum documentation searched (classification system followed by classification symbols)

IPC 7 B67D A23G B65D B41F

Documentation searched other than minimum documentation to the extent that such documents are included in the fields searched

Electronic data base consulted during the international search (name of data base and, where practical, search terms used)

EPO-Internal

**C. DOCUMENTS CONSIDERED TO BE RELEVANT**

Category °	Citation of document, with indication, where appropriate, of the relevant passages	Relevant to claim No.
X	US 4 899 911 A (HOCHSTATTER BRIAN R ET AL) 13 February 1990 (1990-02-13)	1-7, 13, 14
Y	column 5, line 67 - column 6, line 17; figures 5-8	8-10
Y	WO 01/060173 A (MCGILL SHANE ROBERT ;MCGILL TECHNOLOGY LTD (GB)) 23 August 2001 (2001-08-23) page 3, line 1 - line 9 page 4, lines 4-13; figures 1,7,8	8-10
A	US 2 419 351 A (MITCHEL GLASSNER) 22 April 1947 (1947-04-22)	

Further documents are listed in the continuation of box C.

Patent family members are listed in annex.

° Special categories of cited documents :

- \*A\* document defining the general state of the art which is not considered to be of particular relevance
- \*E\* earlier document but published on or after the international filing date
- \*L\* document which may throw doubts on priority claim(s) or which is cited to establish the publication date of another citation or other special reason (as specified)
- \*O\* document referring to an oral disclosure, use, exhibition or other means
- \*P\* document published prior to the international filing date but later than the priority date claimed

- \*T\* later document published after the international filing date or priority date and not in conflict with the application but cited to understand the principle or theory underlying the invention
- \*X\* document of particular relevance; the claimed invention cannot be considered novel or cannot be considered to involve an inventive step when the document is taken alone
- \*Y\* document of particular relevance; the claimed invention cannot be considered to involve an inventive step when the document is combined with one or more other such documents, such combination being obvious to a person skilled in the art.
- \* & \* document member of the same patent family

Date of the actual completion of the international search

11 November 2003

Date of mailing of the international search report

11. 03. 2004

Name and mailing address of the ISA

European Patent Office, P.B. 5818 Patentlaan 2  
 NL - 2280 HV Rijswijk  
 Tel. (+31-70) 340-2040, Tx. 31 651 epo nl,  
 Fax: (+31-70) 340-3016

Authorized officer

Müller, C

INTERNATIONAL SEARCH REPORT

PCT/GB 03/03079

**Box I Observations where certain claims were found unsearchable (Continuation of item 1 of first sheet)**

This International Search Report has not been established in respect of certain claims under Article 17(2)(a) for the following reasons:

1.  Claims Nos.:  
because they relate to subject matter not required to be searched by this Authority, namely:
  
2.  Claims Nos.:  
because they relate to parts of the International Application that do not comply with the prescribed requirements to such an extent that no meaningful International Search can be carried out, specifically:
  
3.  Claims Nos.:  
because they are dependent claims and are not drafted in accordance with the second and third sentences of Rule 6.4(a).

**Box II Observations where unity of invention is lacking (Continuation of item 2 of first sheet)**

This International Searching Authority found multiple inventions in this international application, as follows:

see additional sheet

1.  As all required additional search fees were timely paid by the applicant, this international Search Report covers all searchable claims.
  
2.  As all searchable claims could be searched without effort justifying an additional fee, this Authority did not invite payment of any additional fee.
  
3.  As only some of the required additional search fees were timely paid by the applicant, this International Search Report covers only those claims for which fees were paid, specifically claims Nos.:
  
4.  No required additional search fees were timely paid by the applicant. Consequently, this International Search Report is restricted to the invention first mentioned in the claims; it is covered by claims Nos.:  
  
1-10, 13, 14

**Remark on Protest**

- The additional search fees were accompanied by the applicant's protest.
- No protest accompanied the payment of additional search fees.

FURTHER INFORMATION CONTINUED FROM PCT/ISA/ 210

This International Searching Authority found multiple (groups of) inventions in this international application, as follows:

1. claims: 1-10, 13,14

A drive mechanism  
---

2. claims: 11, 12

A clutch for the drive mechanism  
---

## INTERNATIONAL SEARCH REPORT

PCT/GB 03/03079

Patent document cited in search report		Publication date	Patent family member(s)	Publication date
US 4899911	A	13-02-1990	AU 3987289	A 05-03-1990
			CA 1333900	C 10-01-1995
			JP 2045396	A 15-02-1990
			WO 9001449	A1 22-02-1990
WO 0160173	A	23-08-2001	AU 3199501	A 27-08-2001
			BR 0108469	A 22-04-2003
			EP 1255451	A1 13-11-2002
			WO 0160173	A1 23-08-2001
			JP 2003522540	T 29-07-2003
			US 2003071054	A1 17-04-2003
			ZA 200206395	A 25-08-2003
US 2419351	A	22-04-1947	US 2445713	A 20-07-1948
			US 2390298	A 04-12-1945
			US 2413446	A 31-12-1946