



US00D891792S

(12) **United States Design Patent**
Yang

(10) **Patent No.:** **US D891,792 S**

(45) **Date of Patent:** **** Aug. 4, 2020**

(54) **MAKEUP MIRROR**
(71) Applicant: **DONGGUAN POWERME PLASTIC MFG. CO., LTD., Dongguan (CN)**
(72) Inventor: **Guowei Yang, Dongguan (CN)**
(73) Assignee: **DONGGUAN POWERME PLASTIC MFG. CO., LTD., Dongguan (CN)**
(**) Term: **15 Years**

D738,118 S * 9/2015 Gyanendra D6/310
D840,699 S * 2/2019 Xie D6/309
D850,125 S * 6/2019 Wang A45D 42/10
D6/309
D865,375 S * 11/2019 Yang D6/310
D872,488 S * 1/2020 Choi
D874,161 S * 2/2020 Yang D6/309
D879,482 S 3/2020 Yang
2010/0118520 A1* 5/2010 Stern A45D 42/10
362/135
2019/0003699 A1* 1/2019 Mondora A45D 42/10

* cited by examiner

(21) Appl. No.: **29/731,265**

Primary Examiner — Mary Ann Calabrese

(22) Filed: **Apr. 14, 2020**

(51) **LOC (12) Cl.** **06-07**

(57) **CLAIM**

(52) **U.S. Cl.** **D6/309; D6/308; D6/312**

The ornamental design for a makeup mirror, as shown and described.

(58) **Field of Classification Search**
USPC D6/300-314; D12/189, 191; D16/221; D19/114; D20/42; D26/51; D28/64.1, D28/64.6
CPC ... A47G 1/00; A47G 1/02; A47G 1/14; A47G 1/24; A47G 2001/002; A47G 2001/0056; A47G 2001/007; A45D 42/00; A45D 42/10; A45D 42/12; A45D 42/16; A45D 42/24; F21V 21/30; F21V 3/00; F21V 3/004; G09F 15/0056; B60J 3/0282; G09B 19/00; B62B 9/005; G02B 7/198
See application file for complete search history.

DESCRIPTION

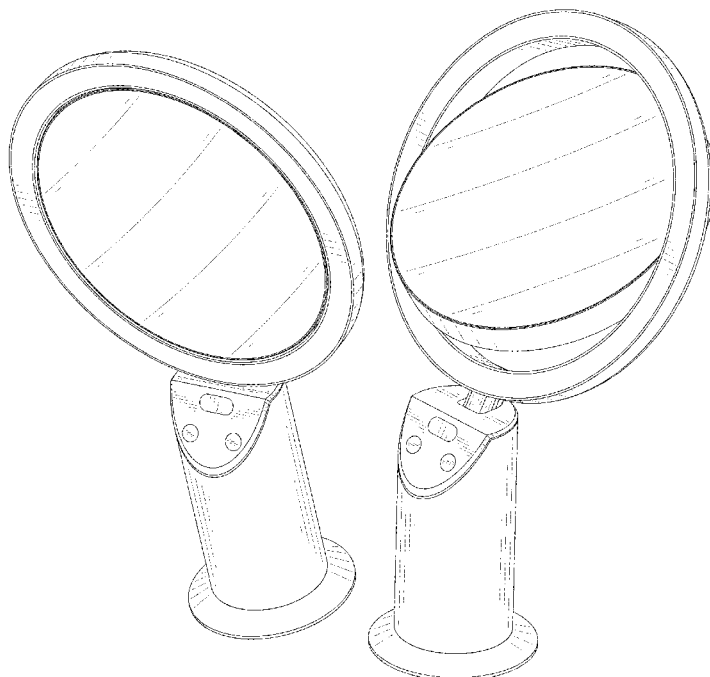
FIG. 1 is a front perspective view of a makeup mirror showing my new design;
FIG. 2 is a rear perspective view thereof;
FIG. 3 is a front elevational view thereof;
FIG. 4 is a rear elevational view thereof;
FIG. 5 is a left side elevational view thereof;
FIG. 6 is a right side elevational view thereof;
FIG. 7 is a top plan view thereof;
FIG. 8 is a bottom plan view thereof; and,
FIG. 9 is a front perspective view of the makeup mirror where the makeup mirror is in an alternate configuration of use.

The broken lines in the drawings depict portions of the makeup mirror that form no part of the claimed design.

(56) **References Cited**
U.S. PATENT DOCUMENTS

2,200,114 A * 5/1940 Konikoff F21V 33/00
362/144
D652,220 S * 1/2012 Pitot F21V 33/00
D6/309

1 Claim, 9 Drawing Sheets



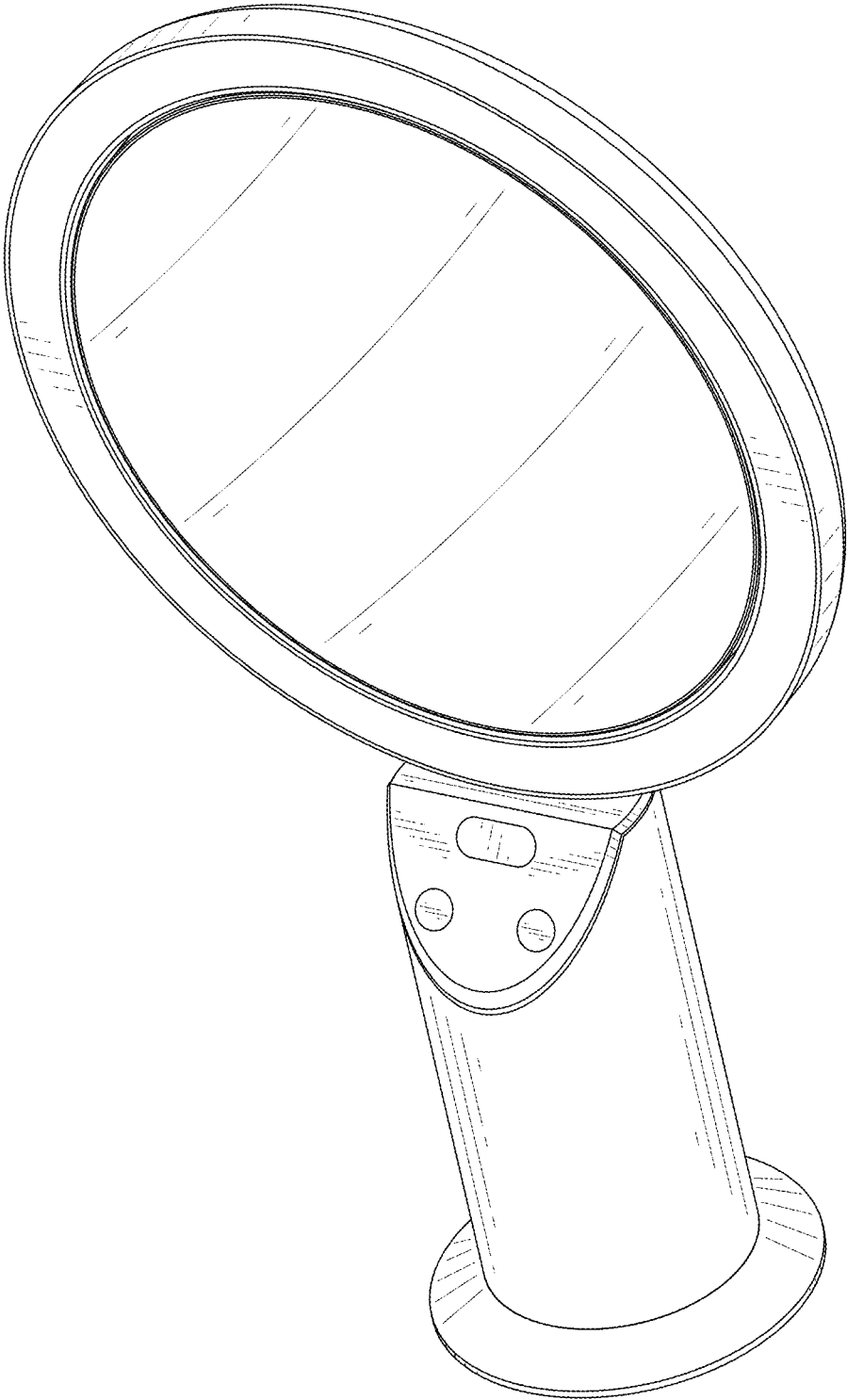


FIG. 1

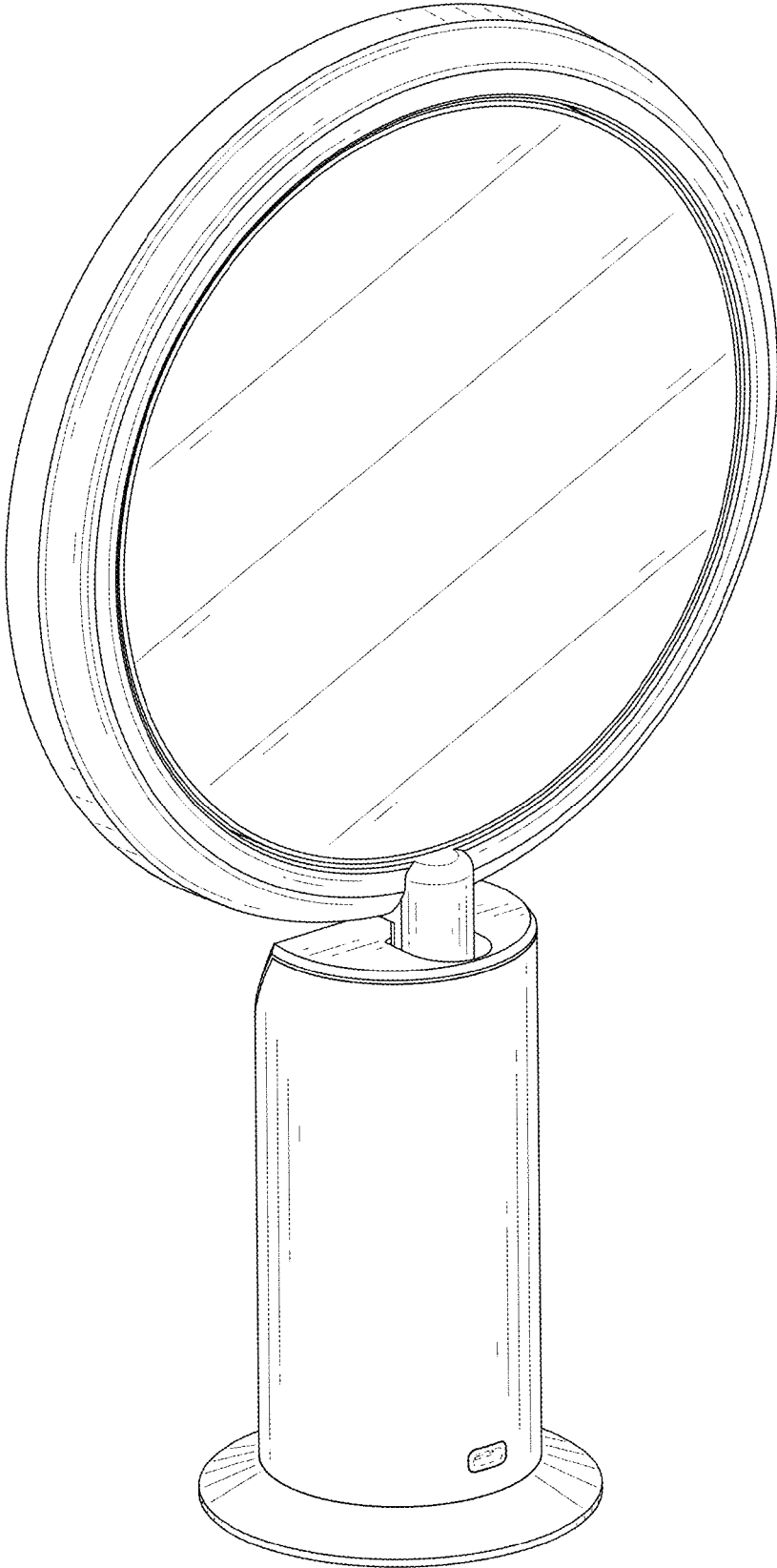


FIG. 2

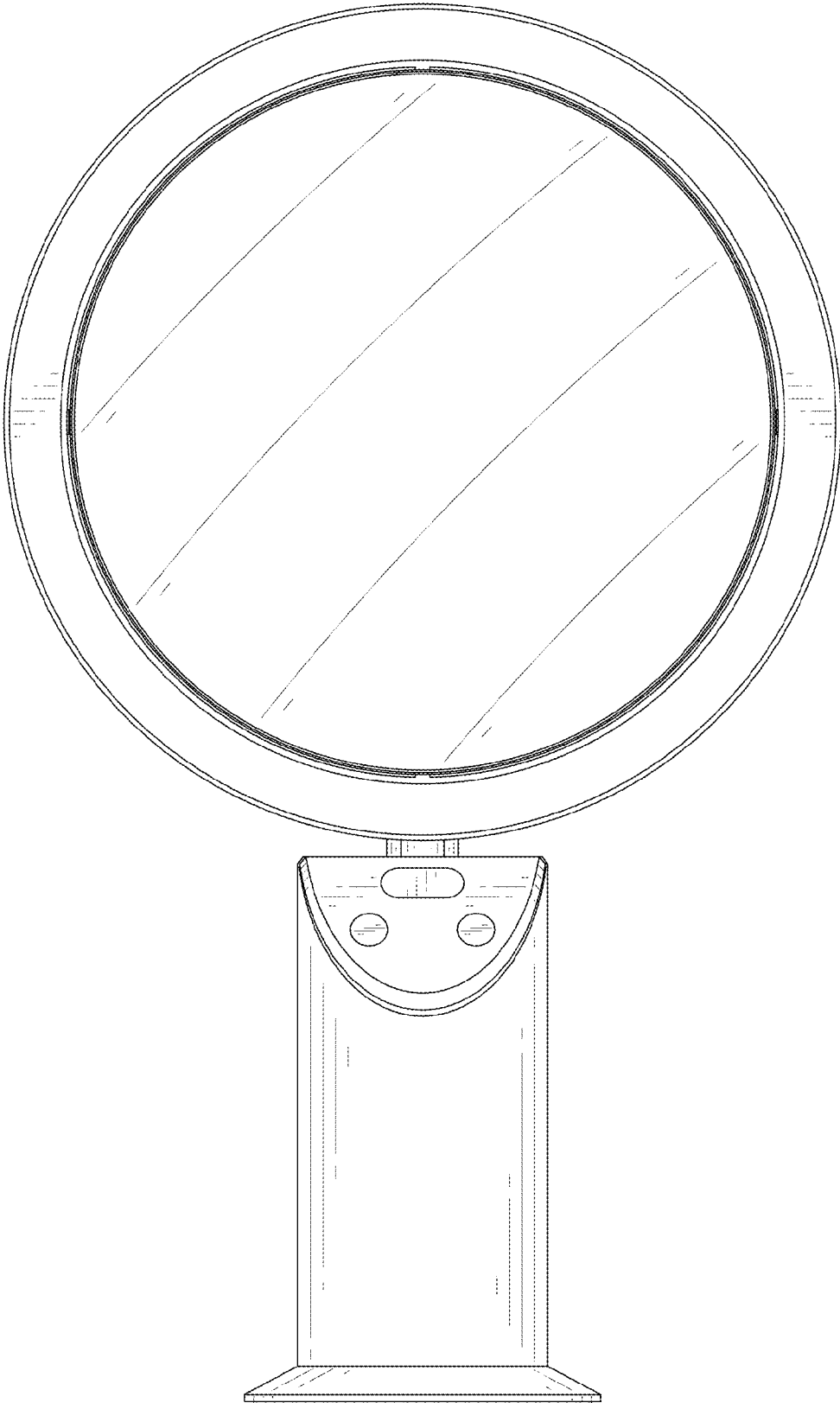


FIG. 3

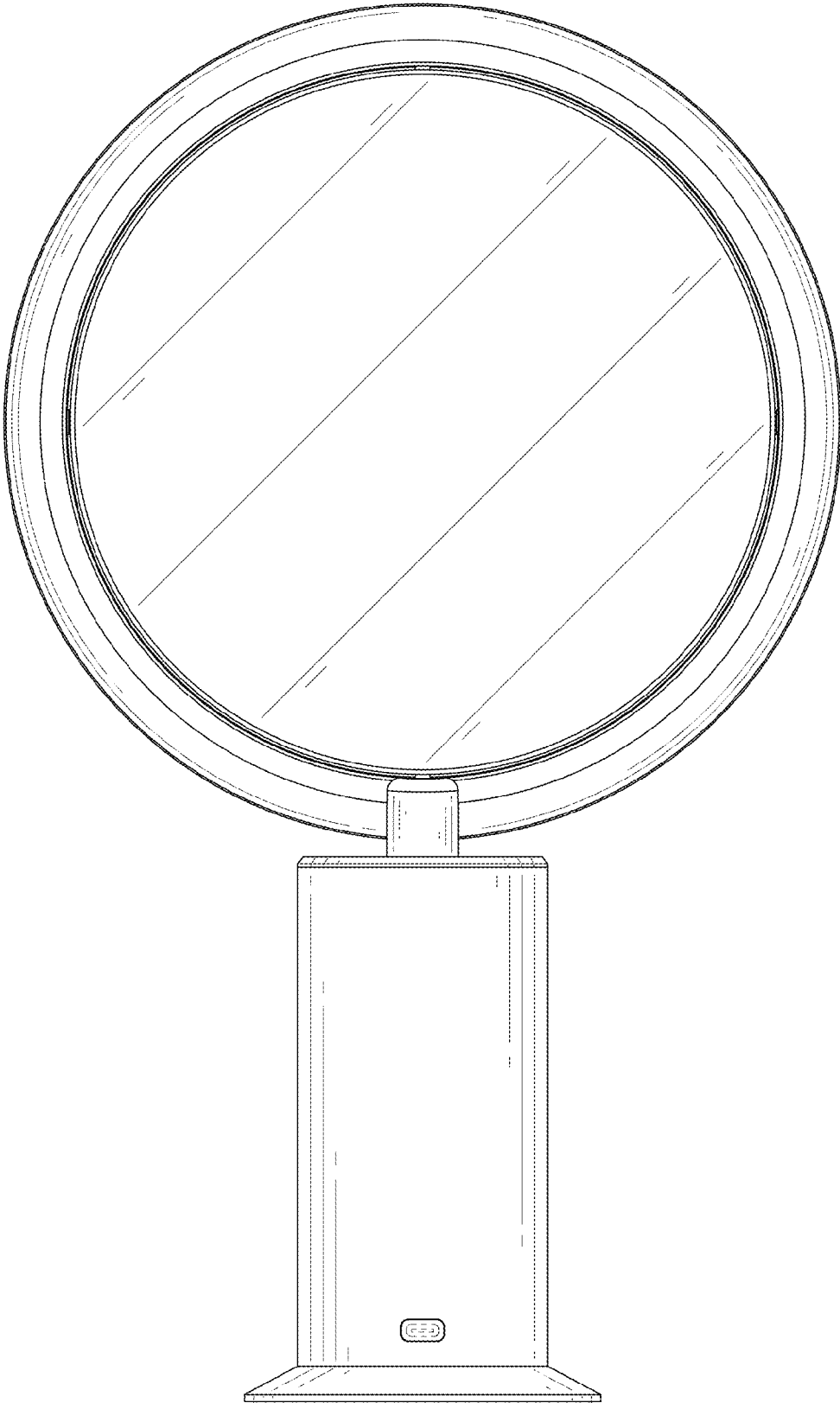


FIG. 4

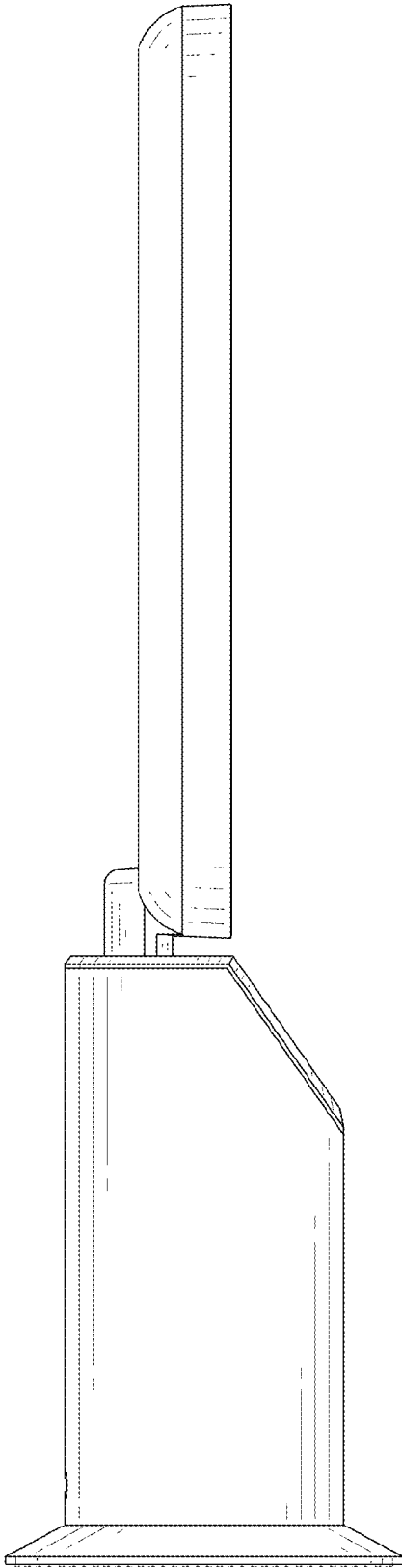


FIG. 5

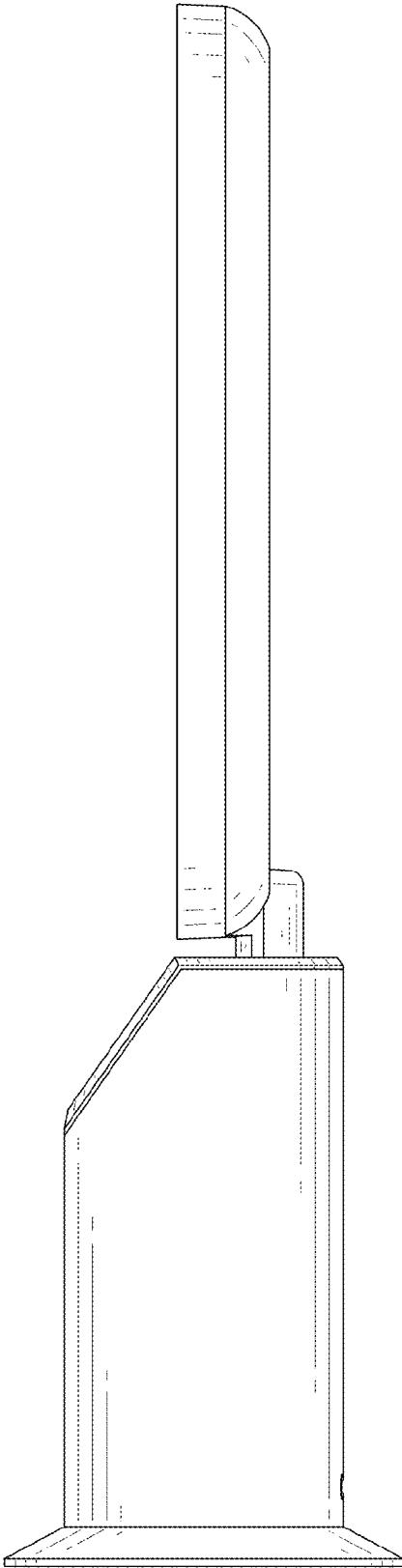


FIG. 6

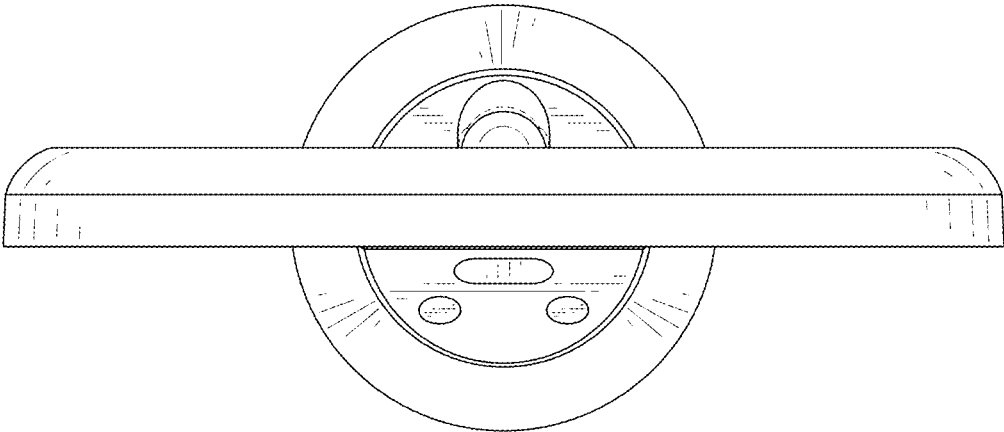


FIG. 7

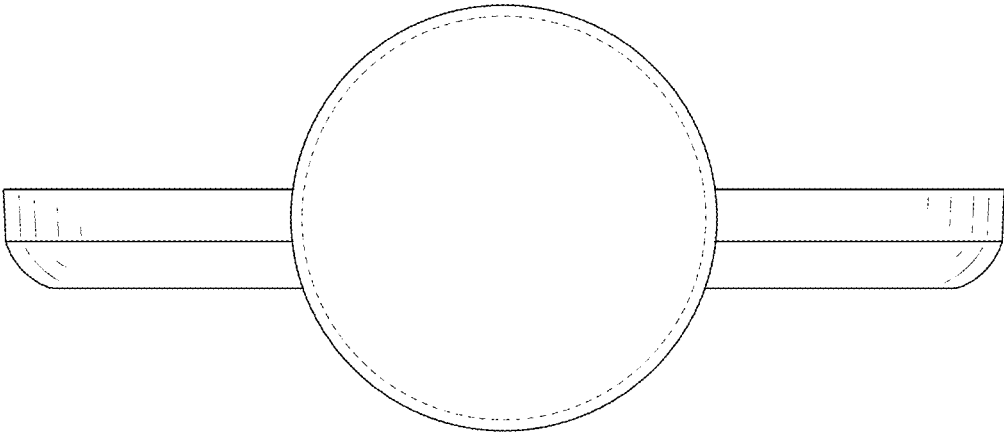


FIG. 8

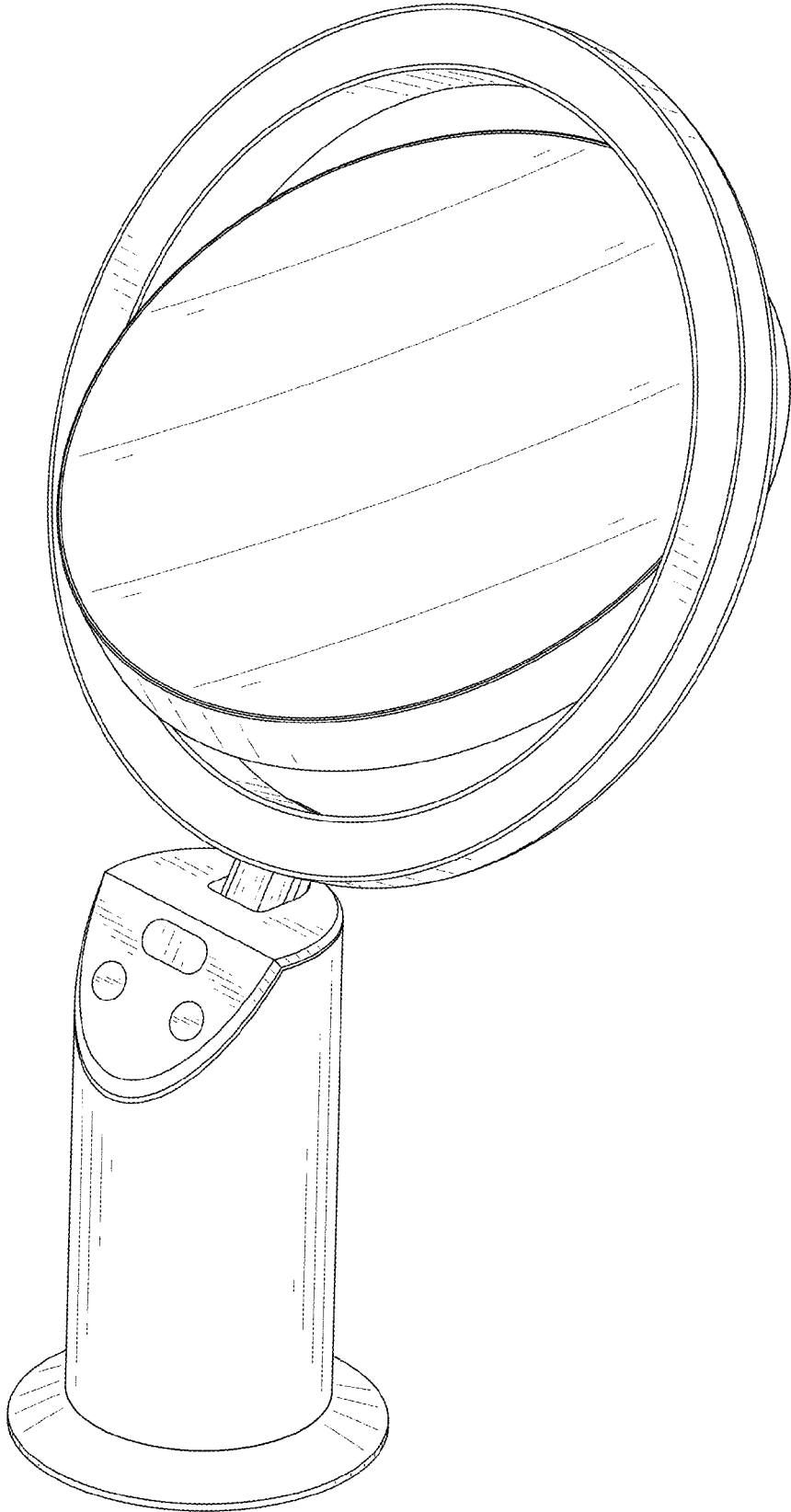


FIG. 9