



- (51) International Patent Classification:
D04B 15/56 (2006.01) *D04B 1/12* (2006.01)
- (21) International Application Number:
PCT/US2012/028559
- (22) International Filing Date:
9 March 2012 (09.03.2012)
- (25) Filing Language: English
- (26) Publication Language: English
- (30) Priority Data:
13/048,527 15 March 2011 (15.03.2011) US
- (71) Applicant (for all designated States except US): **NIKE INTERNATIONAL LTD.**; One Bowerman Drive, Beaverton, OR 97005-6453 (US).
- (72) Inventor; and
- (75) Inventor/Applicant (for US only): **HUFFA, Bruce** [US/US]; c/o Nike, Inc., One Bowerman Drive, Beaverton, OR 97005-6453 (US).
- (74) Agents: **KUZARA, Byron, S.** et al.; Plumsea Law Group, LLC, 10411 Motor City Drive, Suite 320, Bethesda, MD 20817 (US).

- (81) Designated States (unless otherwise indicated, for every kind of national protection available): AE, AG, AL, AM, AO, AT, AU, AZ, BA, BB, BG, BH, BR, BW, BY, BZ, CA, CH, CL, CN, CO, CR, CU, CZ, DE, DK, DM, DO, DZ, EC, EE, EG, ES, FI, GB, GD, GE, GH, GM, GT, HN, HR, HU, ID, IL, IN, IS, JP, KE, KG, KM, KN, KP, KR, KZ, LA, LC, LK, LR, LS, LT, LU, LY, MA, MD, ME, MG, MK, MN, MW, MX, MY, MZ, NA, NG, NI, NO, NZ, OM, PE, PG, PH, PL, PT, QA, RO, RS, RU, RW, SC, SD, SE, SG, SK, SL, SM, ST, SV, SY, TH, TJ, TM, TN, TR, TT, TZ, UA, UG, US, UZ, VC, VN, ZA, ZM, ZW.
- (84) Designated States (unless otherwise indicated, for every kind of regional protection available): ARIPO (BW, GH, GM, KE, LR, LS, MW, MZ, NA, RW, SD, SL, SZ, TZ, UG, ZM, ZW), Eurasian (AM, AZ, BY, KG, KZ, MD, RU, TJ, TM), European (AL, AT, BE, BG, CH, CY, CZ, DE, DK, EE, ES, FI, FR, GB, GR, HR, HU, IE, IS, IT, LT, LU, LV, MC, MK, MT, NL, NO, PL, PT, RO, RS, SE, SI, SK, SM, TR), OAPI (BF, BJ, CF, CG, CI, CM, GA, GN, GQ, GW, ML, MR, NE, SN, TD, TG).

Published:
— with international search report (Art. 21(3))

[Continued on next page]

(54) Title: COMBINATION FEEDER FOR A KINTTING MACHINE

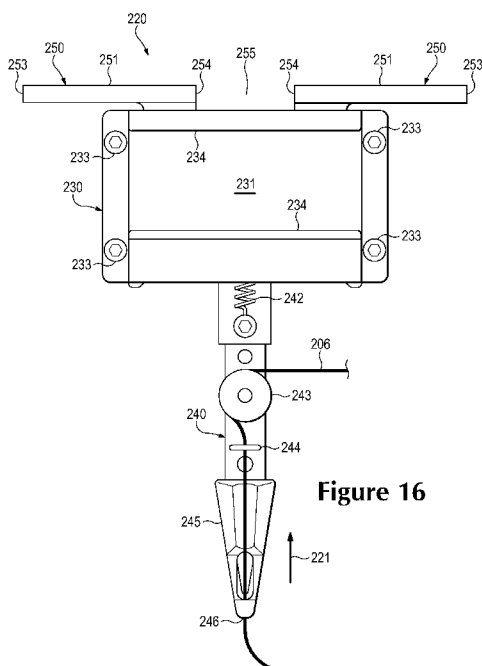


Figure 16

(57) Abstract: A knitted component may incorporate an inlaid strand. A combination feeder may be utilized to inlay the strand within the knitted component. As an example, the combination feeder may include a feeder arm that reciprocates between a retracted position and an extended position. In manufacturing the knitted component, the feeder inlays the strand when the feeder arm is in the extended position, and the strand is absent from the knitted component when the feeder arm is in the retracted position.





— *before the expiration of the time limit for amending the claims and to be republished in the event of receipt of amendments (Rule 48.2(h))*

(88) Date of publication of the international search report:
13 December 2012

INTERNATIONAL SEARCH REPORT

International application No
PCT/US2012/028559

A. CLASSIFICATION OF SUBJECT MATTER
INV. D04B15/56 D04B1/12
ADD.
According to International Patent Classification (IPC) or to both national classification and IPC

B. FIELDS SEARCHED
Minimum documentation searched (classification system followed by classification symbols)
D04B

Documentation searched other than minimum documentation to the extent that such documents are included in the fields searched

Electronic data base consulted during the international search (name of data base and, where practicable, search terms used)
EPO-Internal, WPI Data

C. DOCUMENTS CONSIDERED TO BE RELEVANT

Category*	Citation of document, with indication, where appropriate, of the relevant passages	Relevant to claim No.
X	EP 1 602 762 A1 (SHIMA SEIKI MFG [JP]) 7 December 2005 (2005-12-07) paragraph [0013] - paragraph [0030]; figures 1-6	1-16
X	EP 0 898 002 A2 (SHIMA SEIKI MFG [JP]) 24 February 1999 (1999-02-24) paragraph [0026] - paragraph [0056]; figures 1-12	1-8, 13-16
X	US 5 031 423 A (IKENAGA KATSUYOSHI [JP]) 16 July 1991 (1991-07-16) column 3, line 35 - column 4, line 38; figures 1-5	1,2,4-7, 13-16
X	EP 1 972 706 A1 (SHIMA SEIKI MFG [JP]) 24 September 2008 (2008-09-24) paragraph [0025] - paragraph [0040]; figures 1-6	17-23

Further documents are listed in the continuation of Box C.

See patent family annex.

* Special categories of cited documents :

- "A" document defining the general state of the art which is not considered to be of particular relevance
- "E" earlier application or patent but published on or after the international filing date
- "L" document which may throw doubts on priority claim(s) or which is cited to establish the publication date of another citation or other special reason (as specified)
- "O" document referring to an oral disclosure, use, exhibition or other means
- "P" document published prior to the international filing date but later than the priority date claimed

- "T" later document published after the international filing date or priority date and not in conflict with the application but cited to understand the principle or theory underlying the invention
- "X" document of particular relevance; the claimed invention cannot be considered novel or cannot be considered to involve an inventive step when the document is taken alone
- "Y" document of particular relevance; the claimed invention cannot be considered to involve an inventive step when the document is combined with one or more other such documents, such combination being obvious to a person skilled in the art
- "&" document member of the same patent family

Date of the actual completion of the international search
12 October 2012

Date of mailing of the international search report
19/10/2012

Name and mailing address of the ISA/
European Patent Office, P.B. 5818 Patentlaan 2
NL - 2280 HV Rijswijk
Tel. (+31-70) 340-2040,
Fax: (+31-70) 340-3016

Authorized officer
Zirkler, Stefanie

INTERNATIONAL SEARCH REPORT

Information on patent family members

International application No PCT/US2012/028559

Patent document cited in search report	Publication date	Patent family member(s)	Publication date
EP 1602762	A1	07-12-2005	CN 1764751 A 26-04-2006
			EP 1602762 A1 07-12-2005
			JP 4163212 B2 08-10-2008
			KR 20060014025 A 14-02-2006
			US 2006144096 A1 06-07-2006
			WO 2004076732 A1 10-09-2004

EP 0898002	A2	24-02-1999	CN 1209476 A 03-03-1999
			DE 69812503 D1 30-04-2003
			DE 69812503 T2 02-10-2003
			EP 0898002 A2 24-02-1999
			JP 3044370 B2 22-05-2000
			JP 11061606 A 05-03-1999
			TW 421681 B 11-02-2001
			US 6021651 A 08-02-2000

US 5031423	A	16-07-1991	NONE

EP 1972706	A1	24-09-2008	CN 101310056 A 19-11-2008
			EP 1972706 A1 24-09-2008
			WO 2007058275 A1 24-05-2007
