



US00D739064S

(12) **United States Design Patent**
Heiner et al.

(10) **Patent No.:** **US D739,064 S**

(45) **Date of Patent:** **** Sep. 15, 2015**

(54) **LIGHT FIXTURE**

(71) Applicants: **Johnathan J. Heiner**, Mesa, AZ (US);
Stephen P. Adams, Mesa, AZ (US)

(72) Inventors: **Johnathan J. Heiner**, Mesa, AZ (US);
Stephen P. Adams, Mesa, AZ (US)

(73) Assignee: **JST Performance, LLC**, Gilbert, AZ
(US)

(**) Term: **14 Years**

(21) Appl. No.: **29/473,875**

(22) Filed: **Nov. 26, 2013**

(51) **LOC (10) Cl.** **26-03**

(52) **U.S. Cl.**

USPC **D26/63**

(58) **Field of Classification Search**

USPC D26/1, 24, 61, 63, 65, 85, 92

CPC F21V 21/14; F21V 15/01; F21V 14/02;

F21V 21/30; F21V 21/00; F21V 14/00;

F21S 8/00; F21S 8/003; F21S 8/043; F21Y

2105/001

See application file for complete search history.

(56) **References Cited**

U.S. PATENT DOCUMENTS

D434,515 S *	11/2000	McNamara	D26/63
D550,878 S *	9/2007	Korpi	D26/63
D572,856 S *	7/2008	Kehl et al.	D26/61
D587,833 S *	3/2009	Bina et al.	D26/63

D606,691 S *	12/2009	Lindholm	D26/63
D698,059 S *	1/2014	Korpi	D26/63
D698,474 S *	1/2014	Korpi	D26/63
D698,477 S *	1/2014	Korpi	D26/63

* cited by examiner

Primary Examiner — Brian N Vinson

(57) **CLAIM**

The ornamental design for a light fixture, as shown and described.

DESCRIPTION

FIG. 1 is a front and left side perspective view of our new design for a light fixture;

FIG. 2 is a front and right side perspective view thereof;

FIG. 3 is a second embodiment of FIG. 1, the only difference being the configuration of the lens;

FIG. 4 is a second embodiment of FIG. 2, the only difference being the configuration of the lens;

FIG. 5 is a back and left side perspective view thereof;

FIG. 6 is a back and right side perspective view thereof;

FIG. 7 is a front side view thereof;

FIG. 8 is a back side view thereof;

FIG. 9 is a left side view thereof;

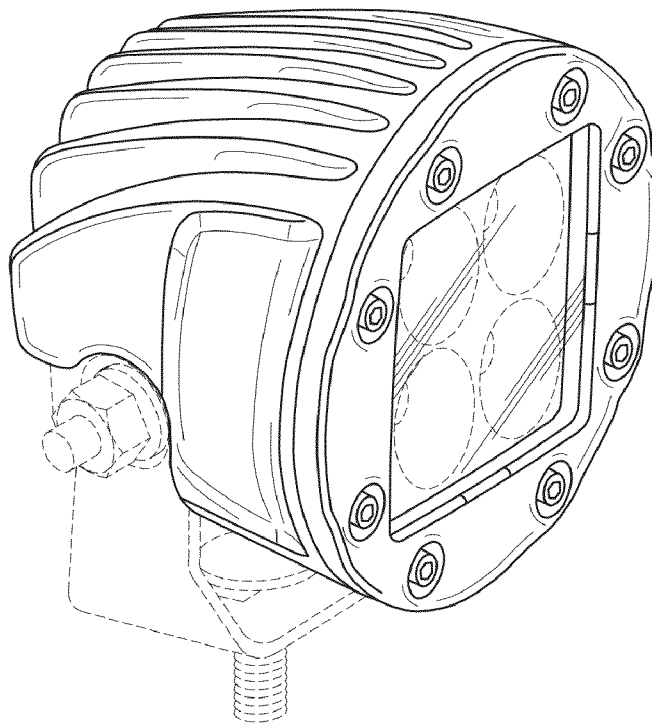
FIG. 10 is a right side view thereof;

FIG. 11 is a top side view thereof; and,

FIG. 12 is a bottom side view thereof.

The broken lines showing environment in the drawings are for illustrative purposes only and form no part of the claimed design.

1 Claim, 6 Drawing Sheets



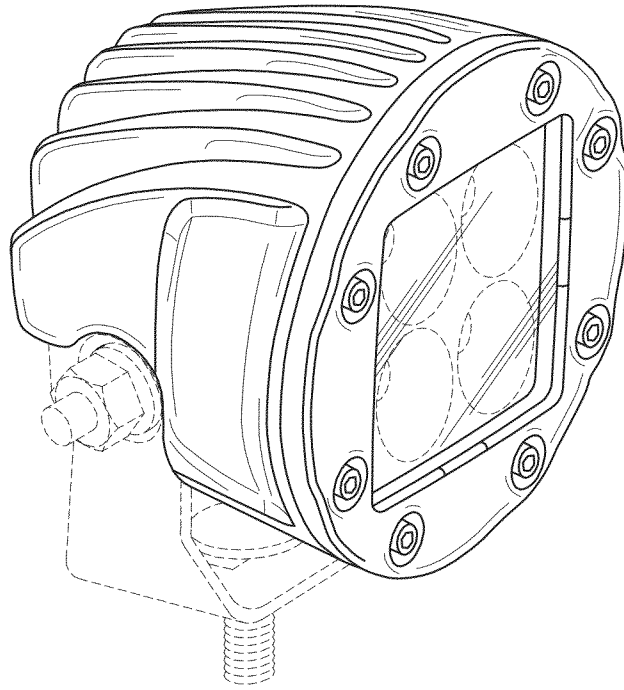


FIG. 1

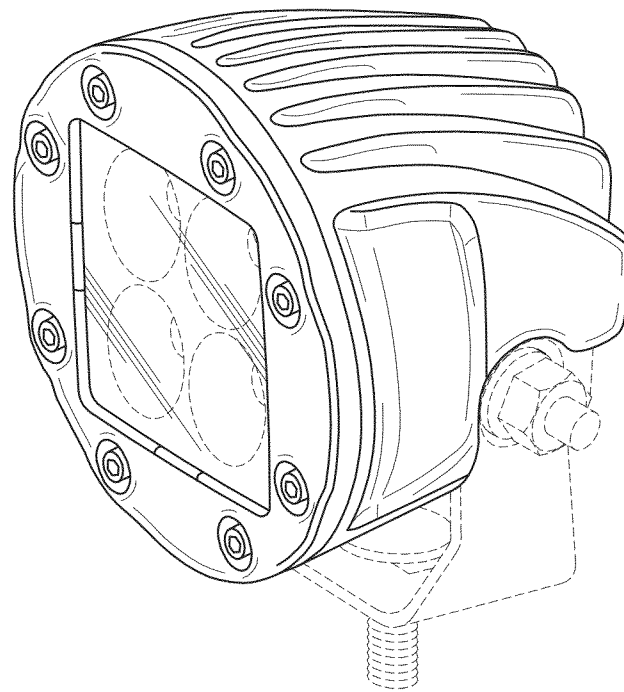


FIG. 2

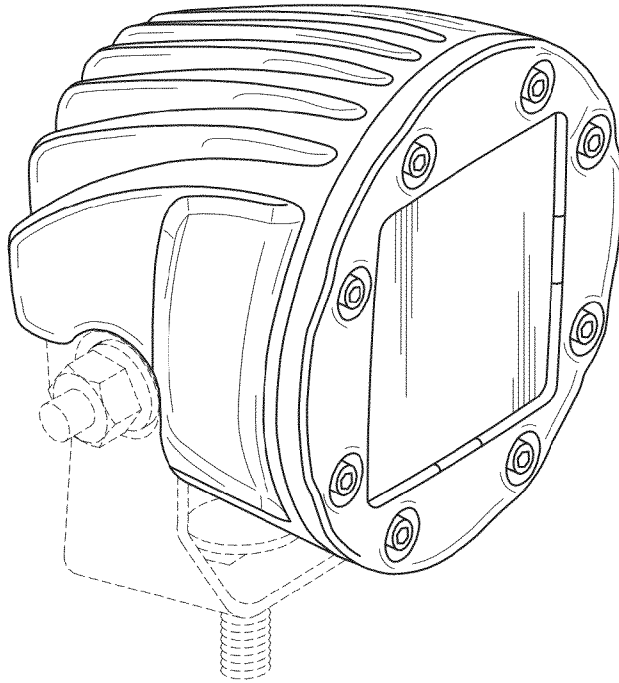


FIG. 3

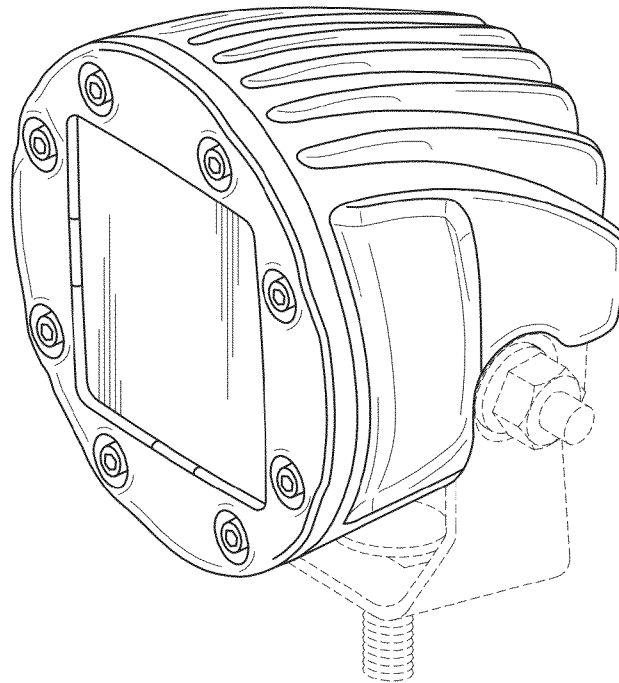


FIG. 4

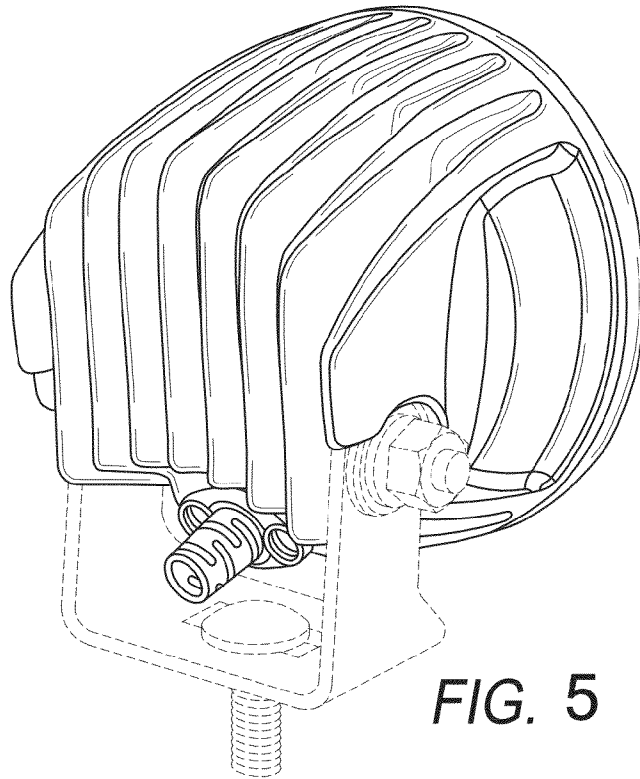


FIG. 5

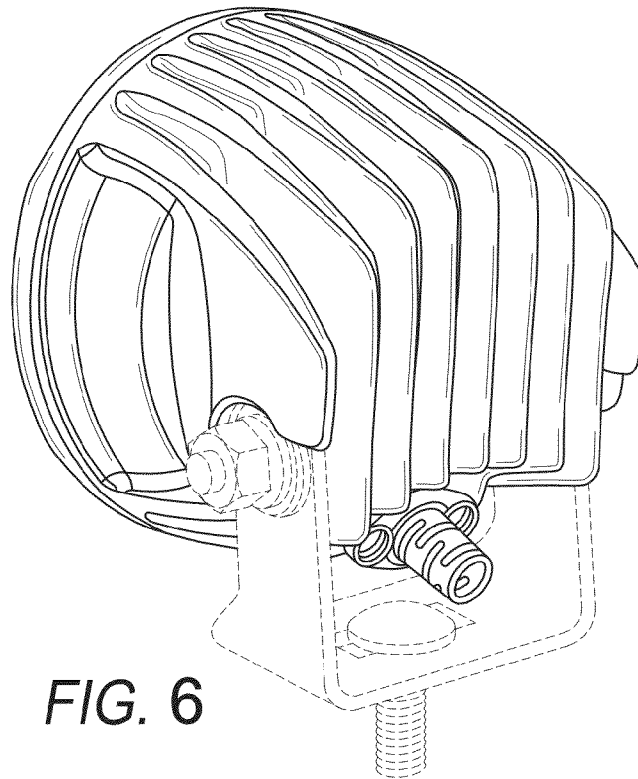


FIG. 6

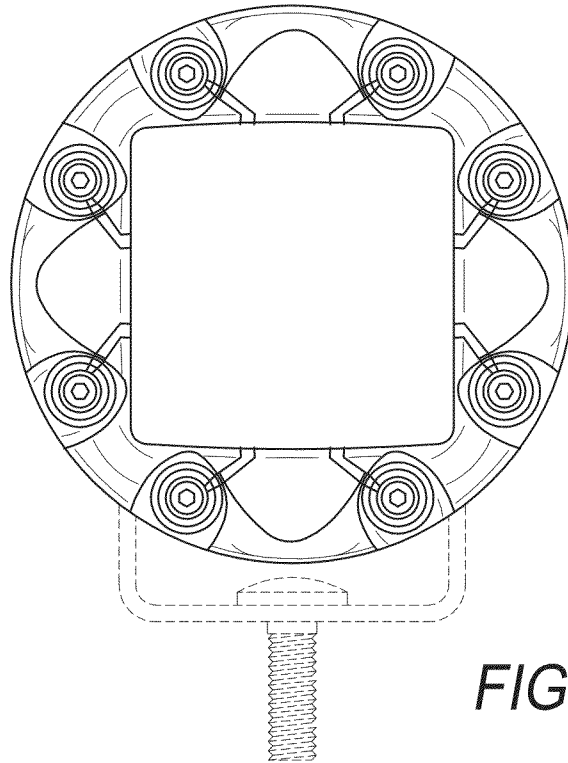


FIG. 7

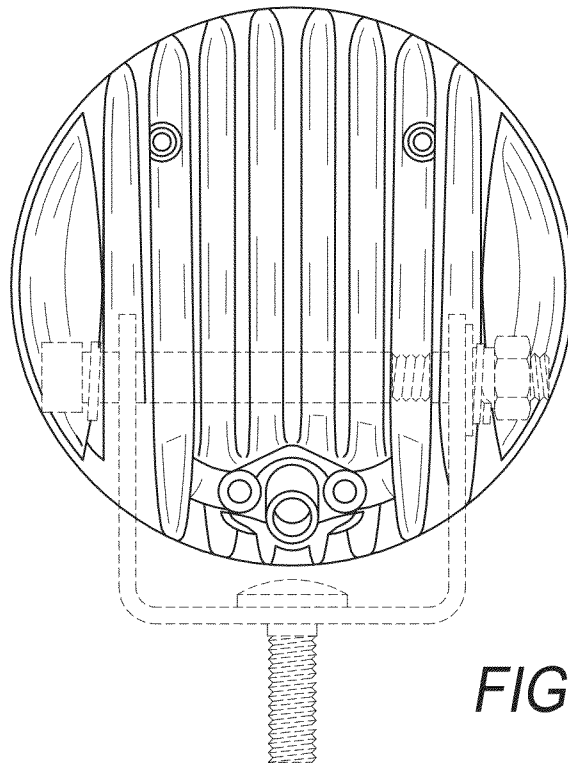


FIG. 8

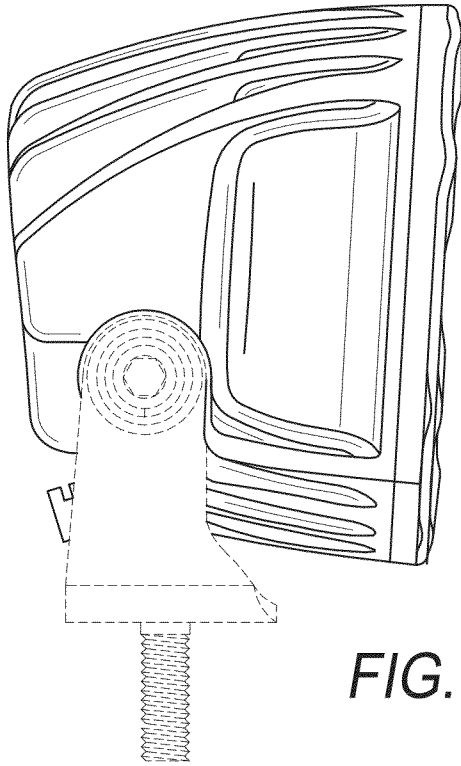


FIG. 9

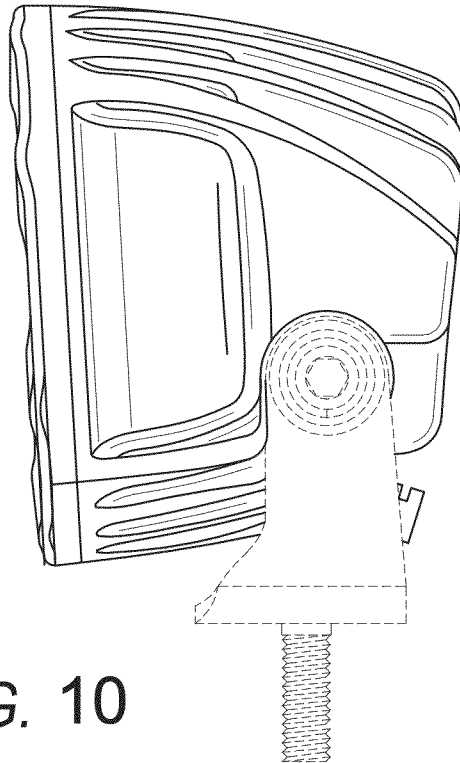


FIG. 10

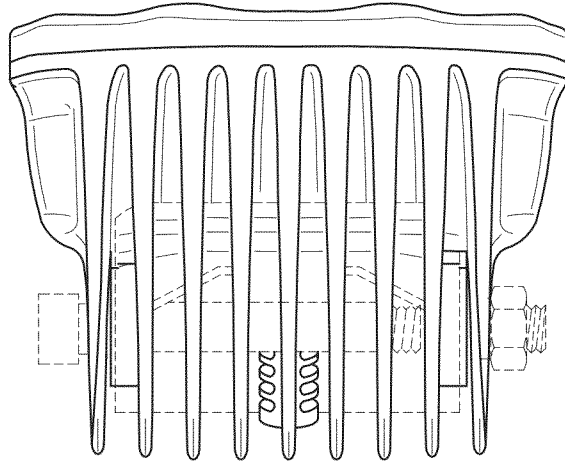


FIG. 11

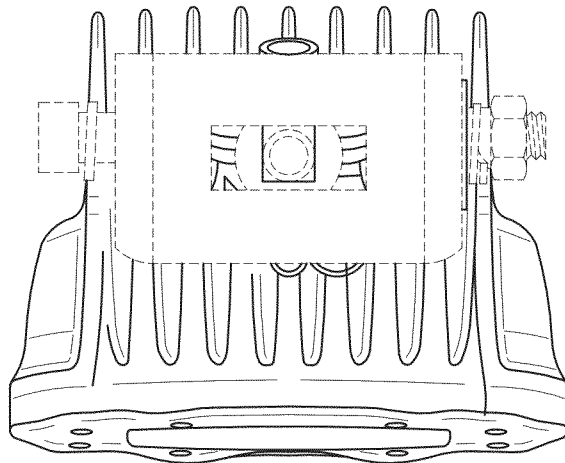


FIG. 12