



US00D719007S

(12) **United States Design Patent**
Bouthillier

(10) **Patent No.:** **US D719,007 S**

(45) **Date of Patent:** **** Dec. 9, 2014**

(54) **DOOR-HANDLE CONNECTOR HAVING A HANDLE INTERFACE MADE OF GLASS**

6,834,430 B2 * 12/2004 Worrell 29/896.5
7,602,564 B2 * 10/2009 Torii et al. 359/822
2012/0240472 A1 * 9/2012 Bouthillier 49/460

(75) Inventor: **Serge Bouthillier**,
Sainte-Marthe-sur-le-Lac (CA)

* cited by examiner

(73) Assignee: **Group VFG Inc.**, Quebec (CA)

Primary Examiner — Paula Greene

(74) *Attorney, Agent, or Firm* — Cantor Colburn LLP

(**) Term: **14 Years**

(57) **CLAIM**

The ornamental design for a door-handle connector having a handle interface made of glass, as shown and described.

(21) Appl. No.: **29/388,025**

(22) Filed: **Mar. 23, 2011**

DESCRIPTION

(51) **LOC (10) Cl.** **08-06**

(52) **U.S. Cl.**
USPC **D8/300**; D8/310

(58) **Field of Classification Search**
CPC E05B 1/0015
USPC D8/300, 301, 302, 307, 331, 315, 321,
D8/343, 349, 400, 310; D7/393, 396;
49/460; D16/130, 134, 135, 137;
16/110.1, 414, 441, 412; 385/112
See application file for complete search history.

FIG. 1 is a perspective view of a door-handle connector having a handle interface made of glass, showing environment that is not part of the door-handle connector;

FIG. 2 is a perspective view of the door-handle connector of FIG. 1;

FIG. 3 is a front elevation view of the door-handle connector of FIG. 1;

FIG. 4 is a left-side elevation view of the door-handle connector of FIG. 1, with a right-side elevation view being a mirror image thereof, and top and bottom plan views being similar to FIG. 4; and,

FIG. 5 is a back elevation view of the door-handle connector of FIG. 1.

The broken lines in some figures are for illustrative purposes only and form no part of the claimed design.

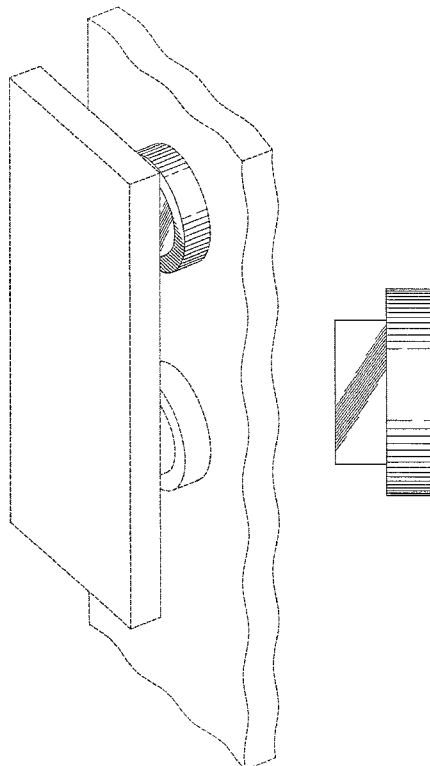
In addition, the oblique lines shown in the Figures demonstrate transparency or translucency.

(56) **References Cited**

U.S. PATENT DOCUMENTS

D57,098	S	*	2/1921	Anderson	D8/310
3,024,555	A	*	3/1962	Abeles	40/331
4,499,630	A	*	2/1985	Harris et al.	16/441
5,345,526	A	*	9/1994	Blew	385/112
6,263,544	B1	*	7/2001	Kudoh	16/441
D467,489	S	*	12/2002	Rubinson	D8/310

1 Claim, 3 Drawing Sheets



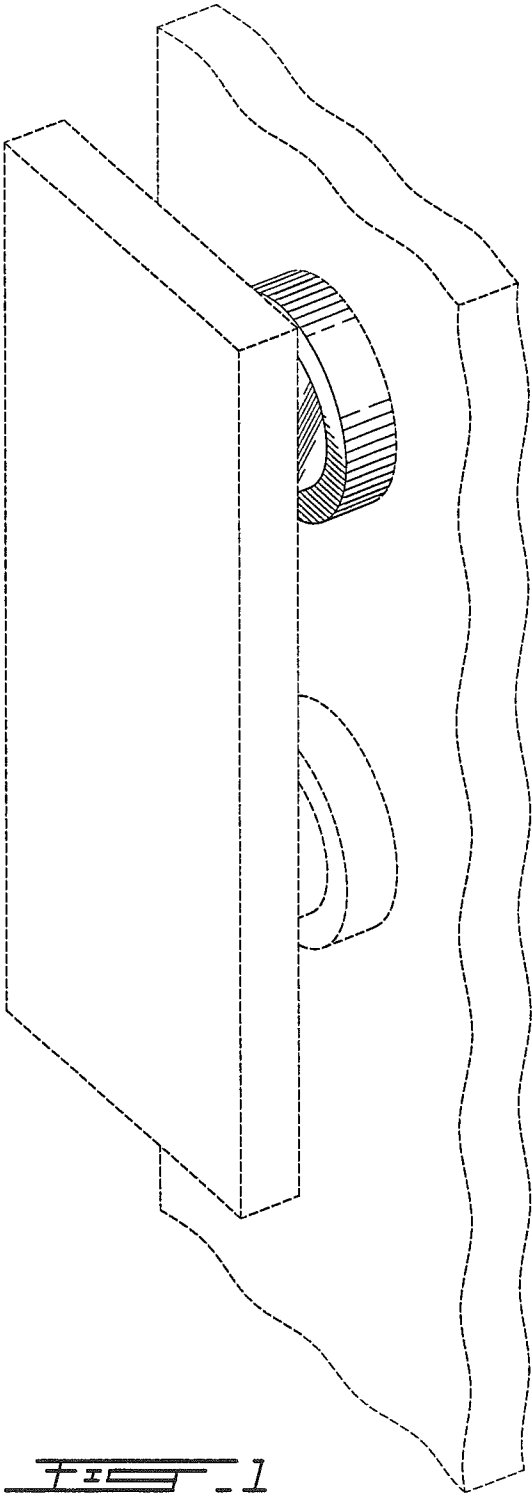


FIG. 1

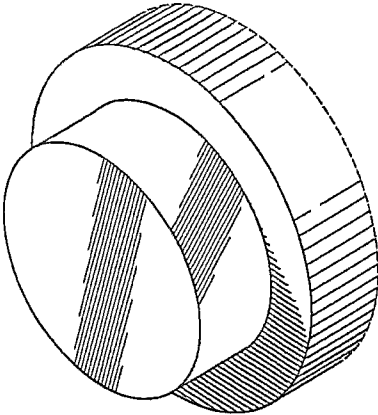


FIG. 2

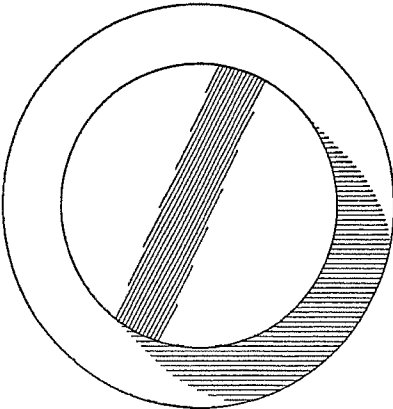


FIG. 3

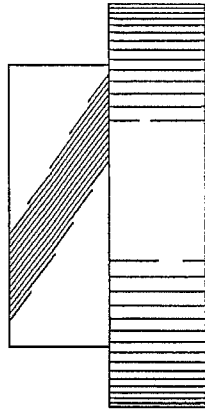


FIG. 4

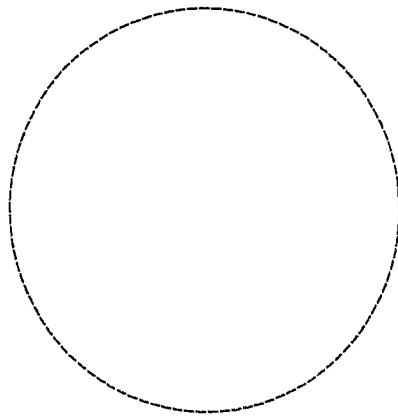


FIG. 5