

CORRECTED VERSION

(19) World Intellectual Property Organization
International Bureau



(10) International Publication Number
WO 2019/168564 A8

(43) International Publication Date
06 September 2019 (06.09.2019)

- (51) International Patent Classification:
A61B 17/34 (2006.01) A61B 17/30 (2006.01)
- (21) International Application Number:
PCT/US2018/050873
- (22) International Filing Date:
13 September 2018 (13.09.2018)
- (25) Filing Language: English
- (26) Publication Language: English
- (30) Priority Data:
62/636,643 28 February 2018 (28.02.2018) US
16/128,247 11 September 2018 (11.09.2018) US
- (71) Applicant: **GI SUPPLY** [US/US]; 5069 Ritter Road, Suite 104, Mechanicsburg, PA 17055 (US).
- (72) Inventors: **LEE, Patrick**; 5069 Ritter Road, Suite 104, Mechanicsburg, PA 17055 (US). **BENOIT, Heather**; 575 Round Rock West Drive, Round Rock, TX 78681 (US). **CASTILLO, Logan**; 575 Round Rock West Drive, Round Rock, TX 78681 (US). **ROSENBAUM, Joanna**; 4649 N. Malden St., #2e, Chicago, IL 60640 (US).

- (74) Agent: **CAREY, Matthew, R.**; Marshall, Gerstein & Borun LLP, 233 S. Wacker Drive, 6300 Willis Tower, Chicago, IL 60606-6357 (US).
- (81) Designated States (unless otherwise indicated, for every kind of national protection available): AE, AG, AL, AM, AO, AT, AU, AZ, BA, BB, BG, BH, BN, BR, BW, BY, BZ, CA, CH, CL, CN, CO, CR, CU, CZ, DE, DJ, DK, DM, DO, DZ, EC, EE, EG, ES, FI, GB, GD, GE, GH, GM, GT, HN, HR, HU, ID, IL, IN, IR, IS, JO, JP, KE, KG, KH, KN, KP, KR, KW, KZ, LA, LC, LK, LR, LS, LU, LY, MA, MD, ME, MG, MK, MN, MW, MX, MY, MZ, NA, NG, NI, NO, NZ, OM, PA, PE, PG, PH, PL, PT, QA, RO, RS, RU, RW, SA, SC, SD, SE, SG, SK, SL, SM, ST, SV, SY, TH, TJ, TM, TN, TR, TT, TZ, UA, UG, US, UZ, VC, VN, ZA, ZM, ZW.
- (84) Designated States (unless otherwise indicated, for every kind of regional protection available): ARIPO (BW, GH, GM, KE, LR, LS, MW, MZ, NA, RW, SD, SL, ST, SZ, TZ, UG, ZM, ZW), Eurasian (AM, AZ, BY, KG, KZ, RU, TJ, TM), European (AL, AT, BE, BG, CH, CY, CZ, DE, DK, EE, ES, FI, FR, GB, GR, HR, HU, IE, IS, IT, LT, LU, LV, MC, MK, MT, NL, NO, PL, PT, RO, RS, SE, SI, SK, SM,

(54) Title: ENDOSCOPIC TOOL WITH SUCTION FOR FACILITATING INJECTION OF A FLUID INTO A SUBMUCOSAL LAYER OF TISSUE

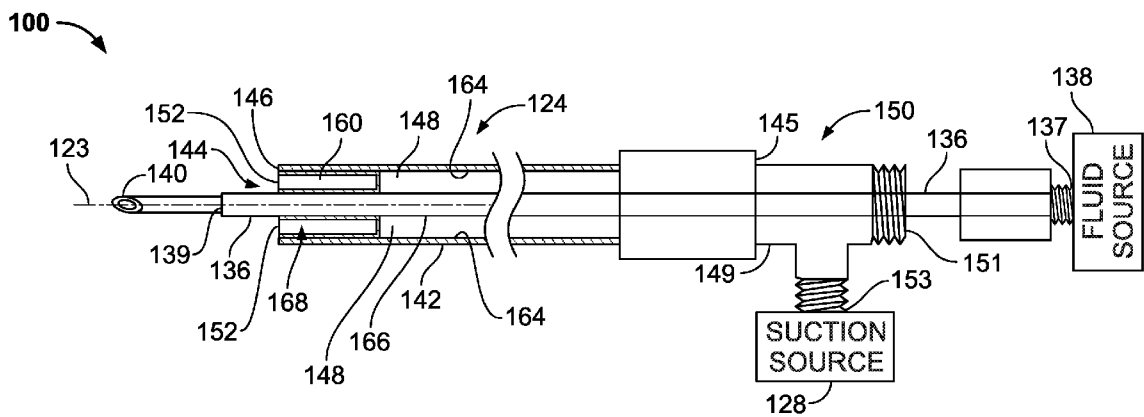


FIG. 2

(57) Abstract: An endoscopic tool (100) for facilitating injection of fluid (121) into a submucosal layer of tissue includes a first cannula (124), a suction source (128), a fluid lumen (132), and a second cannula (136). The first cannula (124) has a suction surface (144) disposed at a distal end (146), and defines a suction lumen (148). The suction source (128) is coupled to the first cannula (124) and creates a negative pressure within the suction lumen (148). The second cannula (136) is disposed in a fluid lumen (132) separate from the suction lumen (148), is adapted to be coupled to a source of fluid (138), and carries a needle (140) at a distal end (139) thereof. The tool (100) draws the mucosal layer via the suction, which enlarges the submucosal layer, and injects a fluid into the enlarged portion of the submucosal layer via the needle (140), thereby creating a raised portion of tissue around the injection site.

WO 2019/168564 A8

TR), OAPI (BF, BJ, CF, CG, CI, CM, GA, GN, GQ, GW,
KM, ML, MR, NE, SN, TD, TG).

Published:

— *with international search report (Art. 21(3))*

(48) Date of publication of this corrected version:

20 August 2020 (20.08.2020)

(15) Information about Correction:

see Notice of 20 August 2020 (20.08.2020)