



- (51) International Patent Classification:  
*E21B 10/567* (2006.01) *E21C 35/183* (2006.01)
- (21) International Application Number:  
PCT/EP2012/058584
- (22) International Filing Date:  
9 May 2012 (09.05.2012)
- (25) Filing Language: English
- (26) Publication Language: English
- (30) Priority Data:
 

1107764.1	10 May 2011 (10.05.2011)	GB
61/484,556	10 May 2011 (10.05.2011)	US
1110105.2	15 June 2011 (15.06.2011)	GB
61/497,380	15 June 2011 (15.06.2011)	US

- (71) Applicant (for all designated States except US): **ELEMENT SIX ABRASIVES S.A.** [LU/LU]; 9 Rue Sainte Zithe, L-2763 Zithe (LU).
- (72) Inventors; and
- (75) Inventors/Applicants (for US only): **JONKER, Cornelis Roelof** [ZA/ZA]; Element Six (Production) (Pty) Ltd, 1 Debid Road, Nuffield, 1559 Springs (ZA). **BOWES, David Christian** [ZA/ZA]; Element Six (Production) (Pty) Ltd, 1 Debid Road, Nuffield, 1559 Springs (ZA). **SHABALALA, Thembinkosi** [ZA/ZA]; Element Six (Pro-

duction) (Pty) Ltd, 1 Debid Road, Nuffield, 1559 Springs (ZA). **CAN, Nedret** [TR/ZA]; Element Six (Production) (Pty) Ltd, 1 Debid Road, Nuffield, 1559 Springs (ZA).

- (74) Agents: **ATKINSON, Ian Anthony** et al; Element Six Limited, Group Intellectual Property, 3rd Floor, Building 4, Chiswick Park, 566 Chiswick High Road, London Greater London W4 5YE (GB).
- (81) Designated States (unless otherwise indicated, for every kind of national protection available): AE, AG, AL, AM, AO, AT, AU, AZ, BA, BB, BG, BH, BR, BW, BY, BZ, CA, CH, CL, CN, CO, CR, CU, CZ, DE, DK, DM, DO, DZ, EC, EE, EG, ES, FI, GB, GD, GE, GH, GM, GT, HN, HR, HU, ID, IL, IN, IS, JP, KE, KG, KM, KN, KP, KR, KZ, LA, LC, LK, LR, LS, LT, LU, LY, MA, MD, ME, MG, MK, MN, MW, MX, MY, MZ, NA, NG, NI, NO, NZ, OM, PE, PG, PH, PL, PT, QA, RO, RS, RU, RW, SC, SD, SE, SG, SK, SL, SM, ST, SV, SY, TH, TJ, TM, TN, TR, TT, TZ, UA, UG, US, UZ, VC, VN, ZA, ZM, ZW.
- (84) Designated States (unless otherwise indicated, for every kind of regional protection available): ARIPO (BW, GH, GM, KE, LR, LS, MW, MZ, NA, RW, SD, SL, SZ, TZ, UG, ZM, ZW), Eurasian (AM, AZ, BY, KG, KZ, RU, TJ, TM), European (AL, AT, BE, BG, CH, CY, CZ, DE, DK, EE, ES, FI, FR, GB, GR, HR, HU, IE, IS, IT, LT, LU, LV, MC, MK, MT, NL, NO, PL, PT, RO, RS, SE, SI, SK, SM,

[Continued on nextpage]

- (54) Title: PICK TOOL

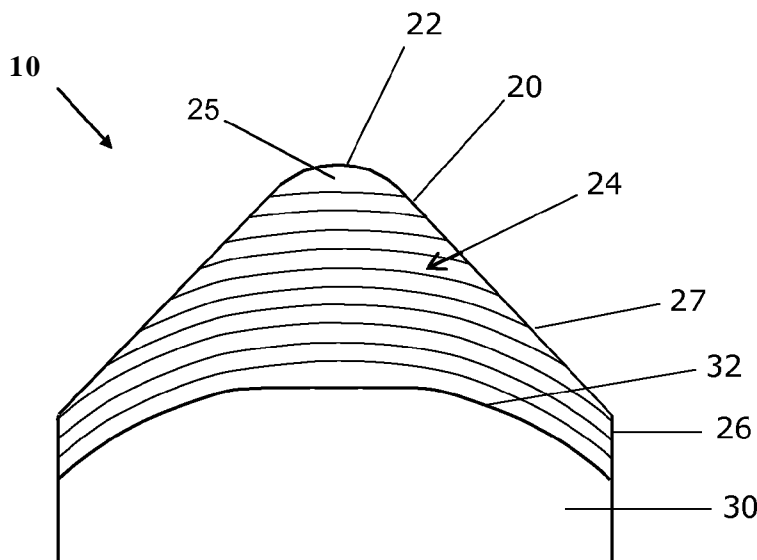


Fig. 5

(57) Abstract: A pick tool for degrading asphalt or rock, comprising a PCD element; the PCD element comprising a PCD structure (20) bonded to a cemented carbide support body (30) at an interface; the PCD structure comprising a first region (24) and a second region (25) adjacent the first region, the second region bonded to the first region by intergrowth of diamond grains; the first region (24) comprising a plurality of alternating strata (24c, 24t), each stratum having a thickness in the range of about 30 to 300 microns; the second region comprising a plurality of strata (25a, 25b), one or more strata in the second region (25a) having a thickness greater than the thicknesses of the individual strata in the first region (24c, 24t), wherein the alternating strata in the first region (24) comprise first strata alternating with second strata, the first strata being in a state of residual compressive stress and the second strata being in a state of residual tensile stress.

WO 2012/152847 A3

TR), OAPI (BF, BJ, CF, CG, CI, CM, GA, GN, GQ, GW, ML, MR, NE, SN, TD, TG).

**Published:**

**Declarations under Rule 4.17:**

- *as to applicant's entitlement to apply for and be granted a patent (Rule 4.17(H))*
- *of inventorship (Rule 4.17(iv))*

- *with international search report (Art. 21(3))*
- *before the expiration of the time limit for amending the claims and to be republished in the event of receipt of amendments (Rule 48.2(h))*

**(88) Date of publication of the international search report:**  
6 June 2013

INTERNATIONAL SEARCH REPORT

International application No  
PCT/EP2012/058584

A. CLASSIFICATION OF SUBJECT MATTER  
INV. E21B10/567 E21C35/183  
ADD.  
According to International Patent Classification (IPC) or to both national classification and IPC

B. FIELDS SEARCHED  
Minimum documentation searched (classification system followed by classification symbols)  
E21B E21C

Documentation searched other than minimum documentation to the extent that such documents are included in the fields searched

Electronic data base consulted during the international search (name of data base and, where practicable, search terms used)  
EPO-Internal

C. DOCUMENTS CONSIDERED TO BE RELEVANT

Category*	Citation of document, with indication, where appropriate, of the relevant passages	Relevant to claim No.
Y	US 2010/294571 AI (BELNAP J DANIEL [US] ET AL) 25 November 2010 (2010-11-25) paragraphs [0139] , [0146] - [0149] , [0165] , [0166] , [0183] -----	1-46
Y	US 2003/131787 AI (LINARES ROBERT C [US] ET AL) 17 July 2003 (2003-07-17) paragraphs [0053] , [0086] , [0089] , [0090] -----	1-46
Y	US 7 694 757 B2 (KESHAVAN MADAPUSI K [US] ) 13 April 2010 (2010-04-13)  column 3, lines 30-41 column 6, lines 51-63 column 7, lines 5-29 column 10, lines 39-40  ----- -/- .	19,20, 23,40, 43,46

Further documents are listed in the continuation of Box C.

See patent family annex.

\* Special categories of cited documents :

"A" document defining the general state of the art which is not considered to be of particular relevance

"E" earlier application or patent but published on or after the international filing date

"L" document which may throw doubts on priority claim(s) or which is cited to establish the publication date of another citation or other special reason (as specified)

"O" document referring to an oral disclosure, use, exhibition or other means

"P" document published prior to the international filing date but later than the priority date claimed

"T" later document published after the international filing date or priority date and not in conflict with the application but cited to understand the principle or theory underlying the invention

"X" document of particular relevance; the claimed invention cannot be considered novel or cannot be considered to involve an inventive step when the document is taken alone

"Y" document of particular relevance; the claimed invention cannot be considered to involve an inventive step when the document is combined with one or more other such documents, such combination being obvious to a person skilled in the art

"&" document member of the same patent family

Date of the actual completion of the international search  12 April 2013	Date of mailing of the international search report  24/04/2013
--	--

Name and mailing address of the ISA/ European Patent Office, P.B. 5818 Patentlaan 2 NL - 2280 HV Rijswijk Tel. (+31-70) 340-2040, Fax: (+31-70) 340-3016	Authorized officer  Garri do Garci a, M
--	---

## INTERNATIONAL SEARCH REPORT

International application No  
PCT/EP2012/058584

C(Continuation). DOCUMENTS CONSIDERED TO BE RELEVANT		
Category*	Citation of document, with indication, where appropriate, of the relevant passages	Relevant to claim No.
Y	US 2009/263308 AI (HALL DAVID R [US] ET AL) 22 October 2009 (2009-10-22) paragraphs [0052] - [0054] -----	26-29
X,P	wo 2011/069637 AI (ELEMENT SIX LTD [IE] ; ELEMENT SIX PRODUCTION PTY LTD [ZA] ; SMALLMAN CL) 16 June 2011 (2011-06-16) the whole document -----	1-46
A	US 5 135 061 A (NEWTON JR THOMAS A [US] ) 4 August 1992 (1992-08-04) col umn 4, line 38 - col umn 5, line 7 col umn 6, lines 21-36 -----	1-46

# INTERNATIONAL SEARCH REPORT

Information on patent family members

International application No <b>PCT/EP2012/058584</b>
--

Patent document cited in search report	Publication date	Patent family member(s)	Publication date
US 2010294571	AI	25-11-2010	CA 2760984 AI 25-11-2010
			CN 102459802 A 16-05-2012
			EP 2432963 A2 28-03-2012
			KR 20120034659 A 12-04-2012
			US 2010294571 AI 25-11-2010
			Wo 2010135605 A2 25-11-2010
US 2003131787	AI	17-07 -2003	AU 2003299852 AI 22-07-2004
			AU 2010202331 AI 01-07-2010
			CA 2511670 AI 15-07-2004
			EP 1587970 A2 26-10-2005
			JP 2006512270 A 13-04-2006
			US 2003131787 AI 17-07-2003
			US 2005181131 AI 18-08-2005
			US 2008157096 AI 03-07-2008
			Wo 2004059046 A2 15-07-2004
US 7694757	B2	13-04 -2010	CA 2537633 AI 23-08-2006
			GB 2423542 A 30-08-2006
			GB 2464640 A 28-04-2010
			US 2006191723 AI 31-08-2006
			US 2010192473 AI 05-08-2010
			ZA 200601593 A 25-04-2007
US 2009263308	AI	22-10-2009	NONE
wo 2011069637	AI	16-06-2011	CA 2782148 AI 16-06-2011
			CN 102753286 A 24-10-2012
			EP 2509733 AI 17-10-2012
			KR 20120095953 A 29-08-2012
			wo 2011069637 AI 16-06-2011
US 5135061	A	04-08-1992	DE 69007897 DI 11-05-1994
			DE 69007897 T2 17-11-1994
			EP 0411831 AI 06-02-1991
			GB 2234542 A 06-02-1991
			I E 902833 AI 27-02-1991
			US 5135061 A 04-08-1992
			ZA 9006044 A 24-12-1991