



US00D687823S

(12) **United States Design Patent**
Ryu et al.

(10) **Patent No.:** **US D687,823 S**

(45) **Date of Patent:** **** Aug. 13, 2013**

(54) **TABLET COMPUTER**

(75) Inventors: **Seung Hoon Ryu**, Goyang-si (KR); **Sei Hyun Cho**, Seoul (KR)

(73) Assignee: **LG Electronics Inc.**, Seoul (KR)

(**) Term: **14 Years**

(21) Appl. No.: **29/406,187**

(22) Filed: **Nov. 10, 2011**

(30) **Foreign Application Priority Data**

May 13, 2011 (KR) 30-2011-0019472

(51) **LOC (9) Cl.** **14-02**

(52) **U.S. Cl.**
USPC **D14/341**

(58) **Field of Classification Search**

USPC D14/341-347, 137, 138, 138.1, 138 AA, D14/138 R, 138 AB, 138 AD, 138 G, 138 A, D14/496, 426, 429, 129, 130, 420, 439-441, D14/448, 125, 147, 156, 218, 250, 389, 336, D14/203.1, 203.3, 203.4, 203.7, 315; D21/324, D21/329, 330; D10/65, 104; D18/6-7; 345/169, 901, 905, 156, 157, 168, 173; 361/814, 680, 686, 679.27, 679.3; 341/22; 348/168; 379/433.04, 433.07, 433.11, 916, 379/433.01, 433.06

See application file for complete search history.

(56) **References Cited**

U.S. PATENT DOCUMENTS

D504,889 S * 5/2005 Andre et al. D14/341
D579,930 S * 11/2008 Maskatia D14/341
D602,487 S * 10/2009 Maskatia D14/341
D624,914 S * 10/2010 Wang D14/371
D634,318 S * 3/2011 Buckle et al. D14/341
D636,391 S * 4/2011 Shen et al. D14/341
D636,769 S * 4/2011 Wood et al. D14/341

D636,770 S * 4/2011 Li D14/341
D639,266 S * 6/2011 DeLorenzo et al. D14/142
D641,018 S * 7/2011 Lee et al. D14/341
D646,902 S * 10/2011 Woo et al. D6/308
D663,298 S * 7/2012 Song et al. D14/341
D664,954 S * 8/2012 Kim et al. D14/341
D666,198 S * 8/2012 Van Den Nieuwenhuizen et al. D14/341
D667,396 S * 9/2012 Koh D14/341
D667,397 S * 9/2012 Koh D14/341
D667,398 S * 9/2012 Koh D14/341
D667,399 S * 9/2012 Koh D14/341
D667,825 S * 9/2012 Jung D14/341
D668,650 S * 10/2012 Han D14/341
D668,651 S * 10/2012 Kim et al. D14/341
D669,468 S * 10/2012 Akana et al. D14/341
D669,469 S * 10/2012 Kang D14/341
D670,286 S * 11/2012 Akana et al. D14/341
D670,692 S * 11/2012 Akana et al. D14/341
D671,514 S * 11/2012 Kim et al. D14/138 G
D672,344 S * 12/2012 Li D14/341
D672,345 S * 12/2012 Li D14/341
D672,768 S * 12/2012 Huang et al. D14/341
D673,561 S * 1/2013 Hyun et al. D14/341

(Continued)

Primary Examiner — Barbara Fox

(74) *Attorney, Agent, or Firm* — Birch, Stewart, Kolasch & Birch, LLP

(57) **CLAIM**

We claim the ornamental design for a tablet computer, as shown and described.

DESCRIPTION

FIG. 1 is a perspective view of a tablet computer showing our new design:

FIG. 2 is a front elevation view thereof;

FIG. 3 is a rear elevation view thereof;

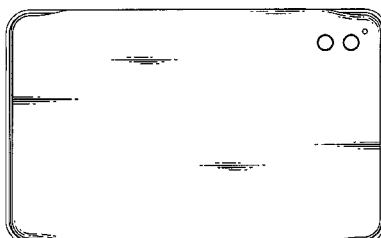
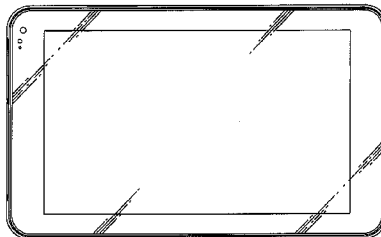
FIG. 4 is a left-side elevation view thereof;

FIG. 5 is a right-side elevation view thereof;

FIG. 6 is a top plan view thereof; and,

FIG. 7 is a bottom plan view thereof.

1 Claim, 4 Drawing Sheets



US D687,823 S

Page 2

U.S. PATENT DOCUMENTS

D673,950 S *	1/2013	Li et al.	D14/341	D677,255 S *	3/2013	McManigal et al.	D14/341
D675,203 S *	1/2013	Yang	D14/341	D677,660 S *	3/2013	Groene et al.	D14/341
D677,181 S *	3/2013	Lenz et al.	D10/65	D678,271 S *	3/2013	Chiu	D14/341

* cited by examiner

FIG. 1

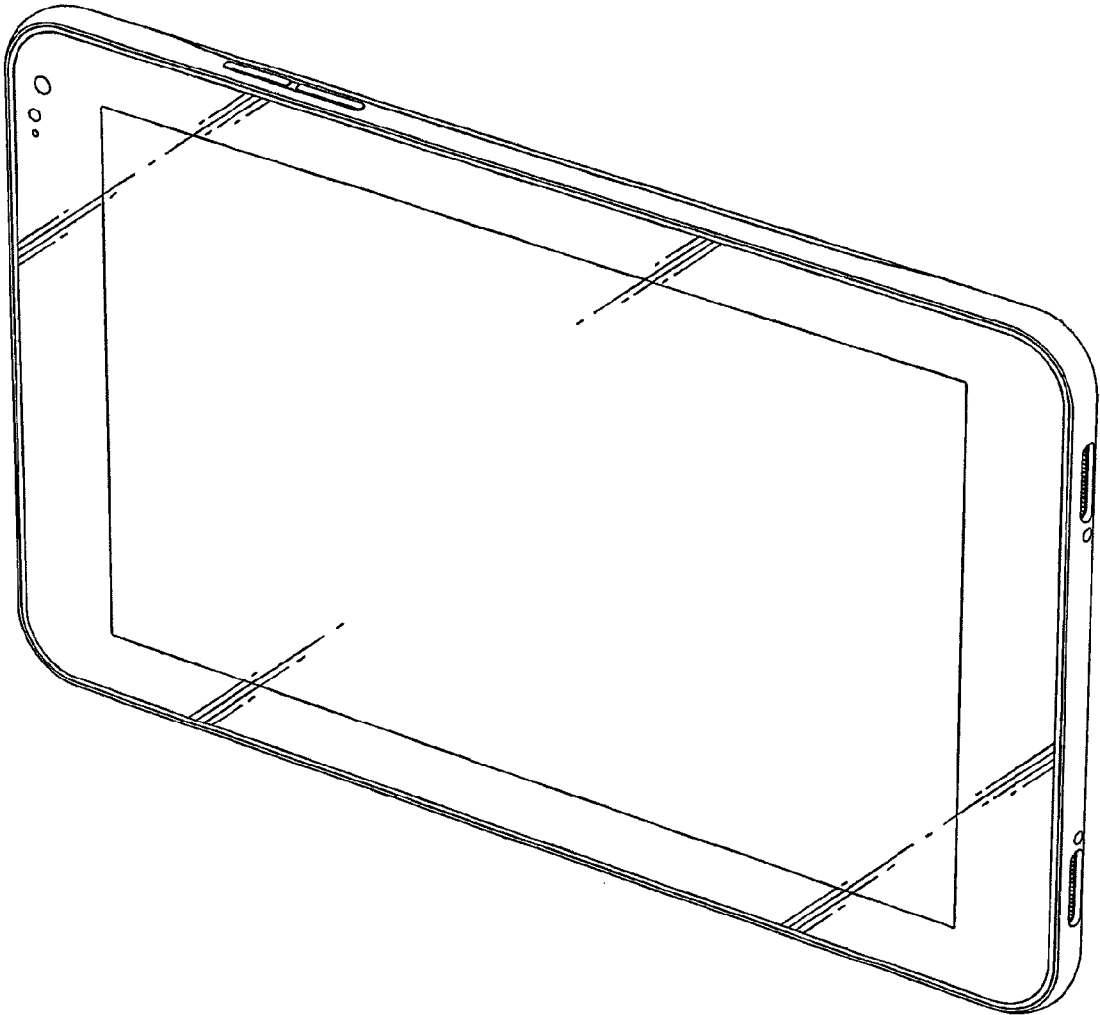


FIG. 2

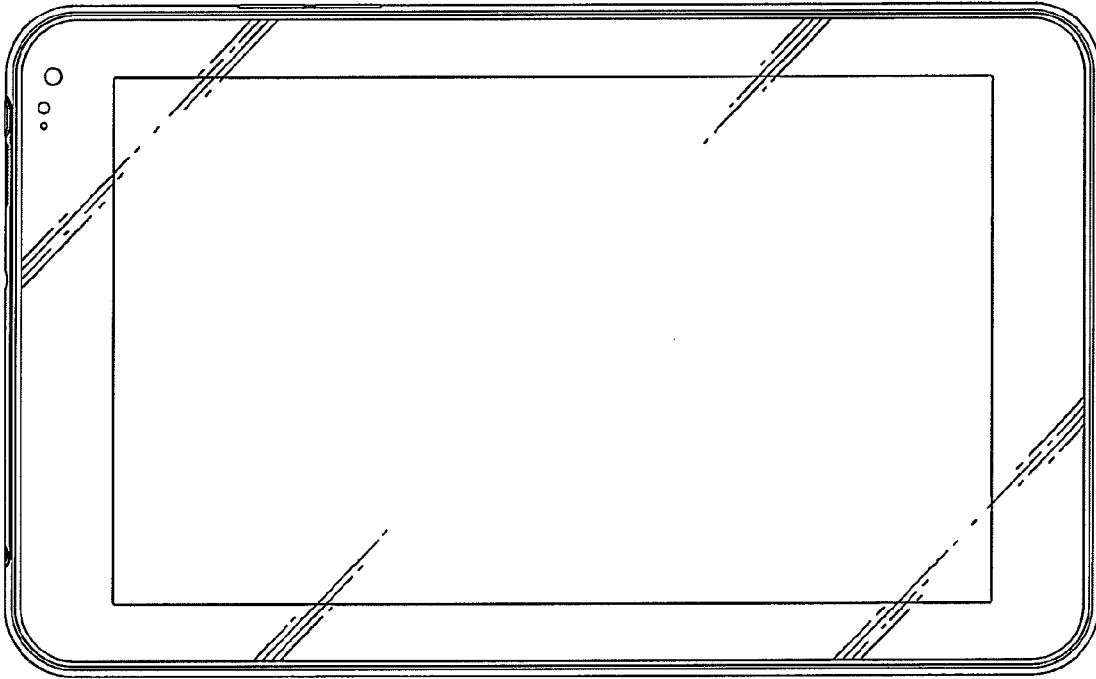


FIG. 3

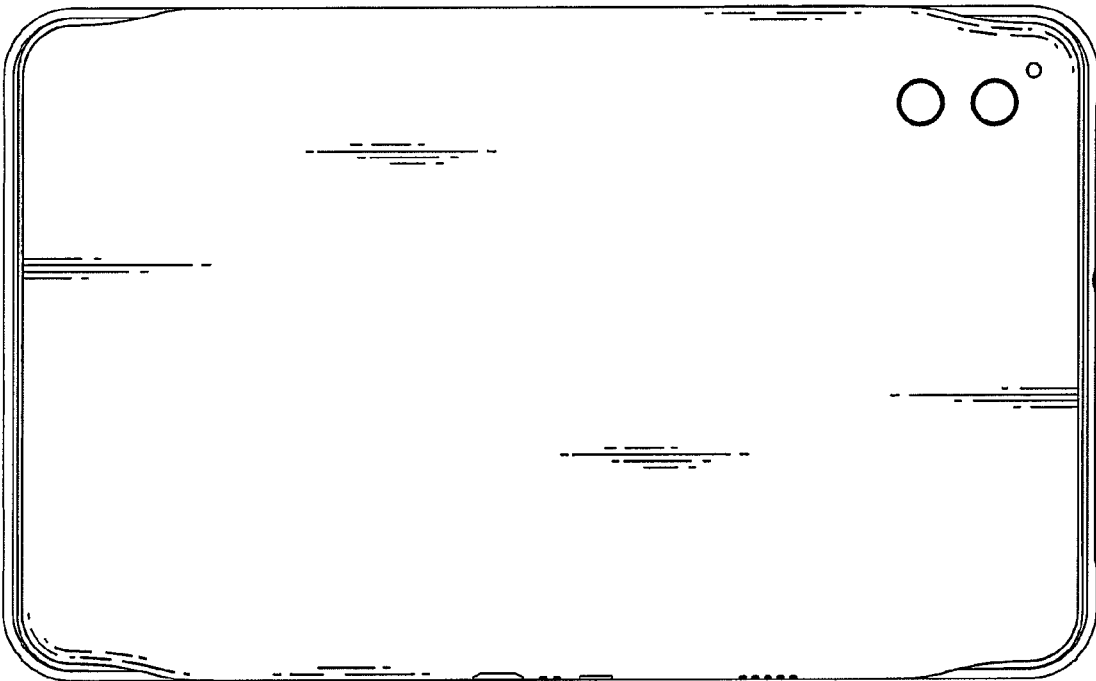


FIG.4



FIG.5



FIG.6



FIG.7

