

(19) World Intellectual Property Organization  
International Bureau



(43) International Publication Date  
2 November 2006 (02.11.2006)

PCT

(10) International Publication Number  
**WO 2006/116417 A3**

- (51) International Patent Classification:  
E02D 27/00 (2006.01) E02D 27/32 (2006.01)
- (21) International Application Number:  
PCT/US2006/015656
- (22) International Filing Date: 26 April 2006 (26.04.2006)
- (25) Filing Language: English
- (26) Publication Language: English
- (30) Priority Data:  
11/116,769 28 April 2005 (28.04.2005) US
- (71) Applicant and  
(72) Inventor: ANTONIC, James, P. [US/US]; 9111 Southmont Cove #406, Ft. Myers, FL 33908 (US).

AT, AU, AZ, BA, BB, BG, BR, BW, BY, BZ, CA, CH, CN, CO, CR, CU, CZ, DE, DK, DM, DZ, EC, EE, EG, ES, FI, GB, GD, GE, GH, GM, HR, HU, ID, IL, IN, IS, JP, KE, KG, KM, KN, KP, KR, KZ, LC, LK, LR, LS, LT, LU, LV, LY, MA, MD, MG, MK, MN, MW, MX, MZ, NA, NG, NI, NO, NZ, OM, PG, PH, PL, PT, RO, RU, SC, SD, SE, SG, SK, SL, SM, SY, TJ, TM, TN, TR, TT, TZ, UA, UG, US, UZ, VC, VN, YU, ZA, ZM, ZW.

(84) Designated States (unless otherwise indicated, for every kind of regional protection available): ARIPO (BW, GH, GM, KE, LS, MW, MZ, NA, SD, SL, SZ, TZ, UG, ZM, ZW), Eurasian (AM, AZ, BY, KG, KZ, MD, RU, TJ, TM), European (AT, BE, BG, CH, CY, CZ, DE, DK, EE, ES, FI, FR, GB, GR, HU, IE, IS, IT, LT, LU, LV, MC, NL, PL, PT, RO, SE, SI, SK, TR), OAPI (BF, BJ, CF, CG, CI, CM, GA, GN, GQ, GW, ML, MR, NE, SN, TD, TG).

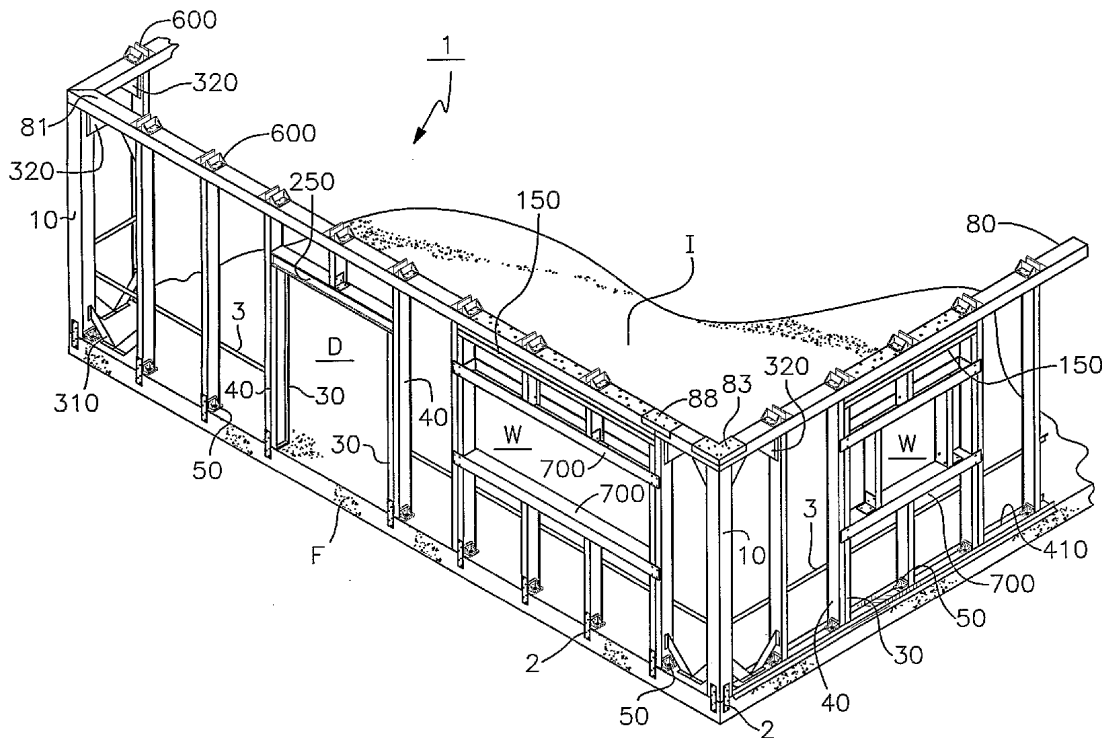
(74) Agent: BARROW, Laura, G.; P.O. Box 215, Estero, FL 33928 (US).

Published:  
— with international search report

(81) Designated States (unless otherwise indicated, for every kind of national protection available): AE, AG, AL, AM,

(88) Date of publication of the international search report:  
30 April 2009

(54) Title: STRUCTURAL SUPPORT FRAMING ASSEMBLY



(57) Abstract: Novel structural support framing assemblies and component thereof are described herein for use in residential, commercial, and industrial building construction. Preferred embodiments of the inventive framing assembly include the employment of a variety of structural studs and stud mounts, the studs preferably fabricated of a composite material.

WO 2006/116417 A3

**INTERNATIONAL SEARCH REPORT**

International application No.

PCT/US06/15656

**A. CLASSIFICATION OF SUBJECT MATTER**  
 IPC: **E02D 27/00( 2006.01),27/32( 2006.01)**

USPC: 52/296,298,292,151,481.1,481.2,482,489.1,489.2;256/65.14;403/230,231,298  
 According to International Patent Classification (IPC) or to both national classification and IPC

**B. FIELDS SEARCHED**

Minimum documentation searched (classification system followed by classification symbols)  
 U.S. : 52/296, 298, 292, 151, 481.1, 481.2, 482, 489.1, 489.2; 256/65.14; 403/230, 231, 298

Documentation searched other than minimum documentation to the extent that such documents are included in the fields searched

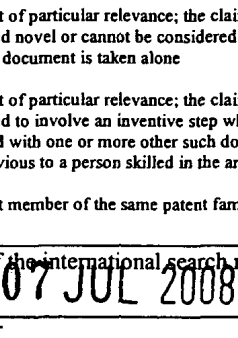
Electronic data base consulted during the international search (name of data base and, where practicable, search terms used)

**C. DOCUMENTS CONSIDERED TO BE RELEVANT**

Category *	Citation of document, with indication, where appropriate, of the relevant passages	Relevant to claim No.
X	US 3,152,672 A (S.W. Oppenguizen et al.) 13 Oct. 1964, entire document.	7-10, 14-15, 34-35 ----- 1-6, 11-13, 16-33, 36-37

Further documents are listed in the continuation of Box C.       See patent family annex.

* Special categories of cited documents:		
"A"	document defining the general state of the art which is not considered to be of particular relevance	"T" later document published after the international filing date or priority date and not in conflict with the application but cited to understand the principle or theory underlying the invention
"E"	earlier application or patent published on or after the international filing date	"X" document of particular relevance; the claimed invention cannot be considered novel or cannot be considered to involve an inventive step when the document is taken alone
"L"	document which may throw doubts on priority claim(s) or which is cited to establish the publication date of another citation or other special reason (as specified)	"Y" document of particular relevance; the claimed invention cannot be considered to involve an inventive step when the document is combined with one or more other such documents, such combination being obvious to a person skilled in the art
"O"	document referring to an oral disclosure, use, exhibition or other means	
"P"	document published prior to the international filing date but later than the priority date claimed	"&" document member of the same patent family

Date of the actual completion of the international search 24 June 2008 (24.06.2008)	Date of mailing of the international search report 07 JUL 2008
Name and mailing address of the ISA/US Mail Stop PCT, Attn: ISA/US Commissioner for Patents P.O. Box 1450 Alexandria, Virginia 22313-1450 Facsimile No. (571) 273-3201	Authorized officer Richard Chilcot  Telephone No. (571) 272-6848