



US00D340010S

United States Patent [19]

[11] Patent Number: **Des. 340,010**

Guedon

[45] Date of Patent: **** Oct. 5, 1993**

[54] PASSENGER CAR

[75] Inventor: **Philippe Guedon**, Davron, France

[73] Assignee: **Matra Automobile**, Paris, France

[**] Term: **14 Years**

[21] Appl. No.: **659,935**

[22] Filed: **Feb. 25, 1991**

[52] U.S. Cl. **D12/90**

[58] Field of Search D12/90, 91, 99;
296/185

[56] **References Cited**

U.S. PATENT DOCUMENTS

- D. 295,392 4/1988 Machida et al. D12/90
- D. 305,624 1/1990 Doyle et al. D12/90

OTHER PUBLICATIONS

Car & Driver, Jan./1990, p. 109, Minivan, bottom of page.

Sales brochure entitled "Renault Espace" bearing the notation Ref 39 267 03 Jun. 1989.

Primary Examiner—James M. Gandy

Attorney, Agent, or Firm—Larson and Taylor

[57] **CLAIM**

The ornamental design for a passenger car, as shown and described.

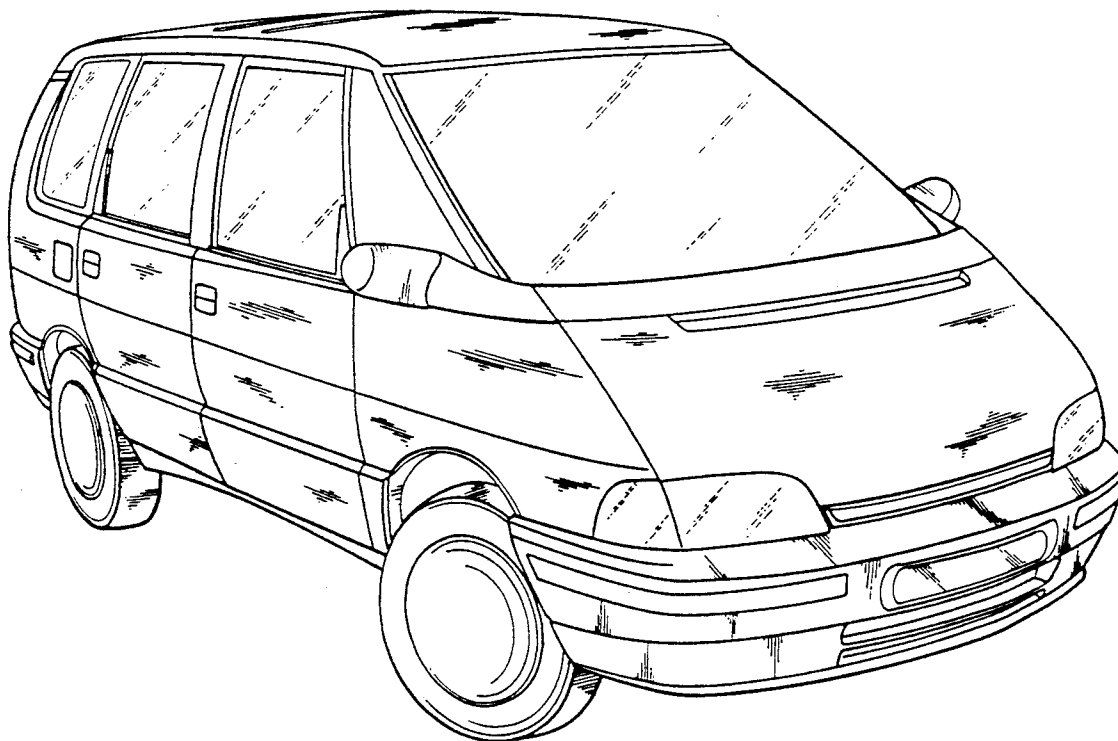
DESCRIPTION

FIGS. 1 and 2 are a front view and a rear view of the passenger car, showing my new design;

FIG. 3 is a side view (the other side being symmetrical);

FIG. 4 is a view from above; and,

FIG. 5 is a front perspective view from above and one side.



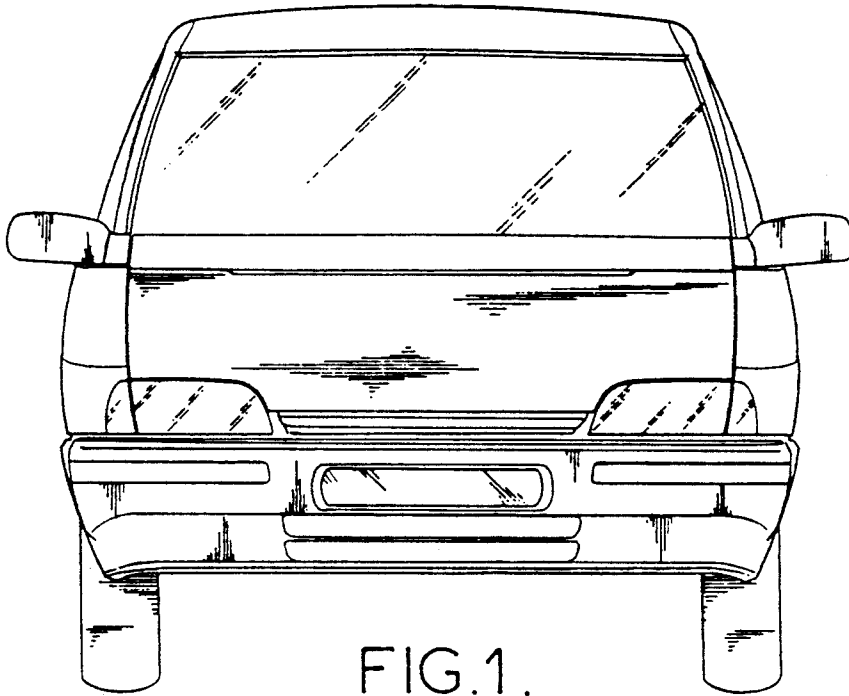


FIG.1.

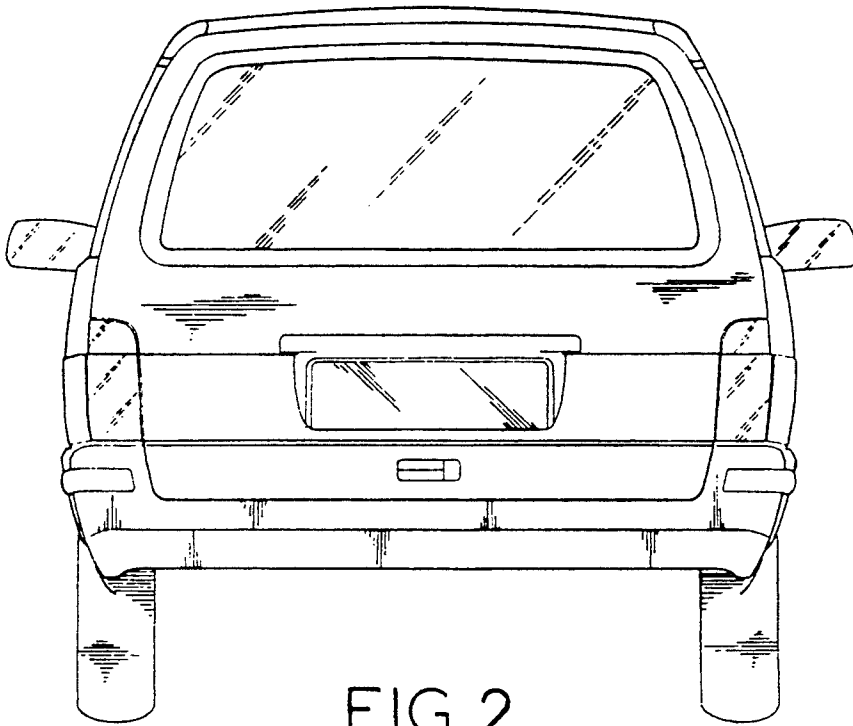


FIG.2.

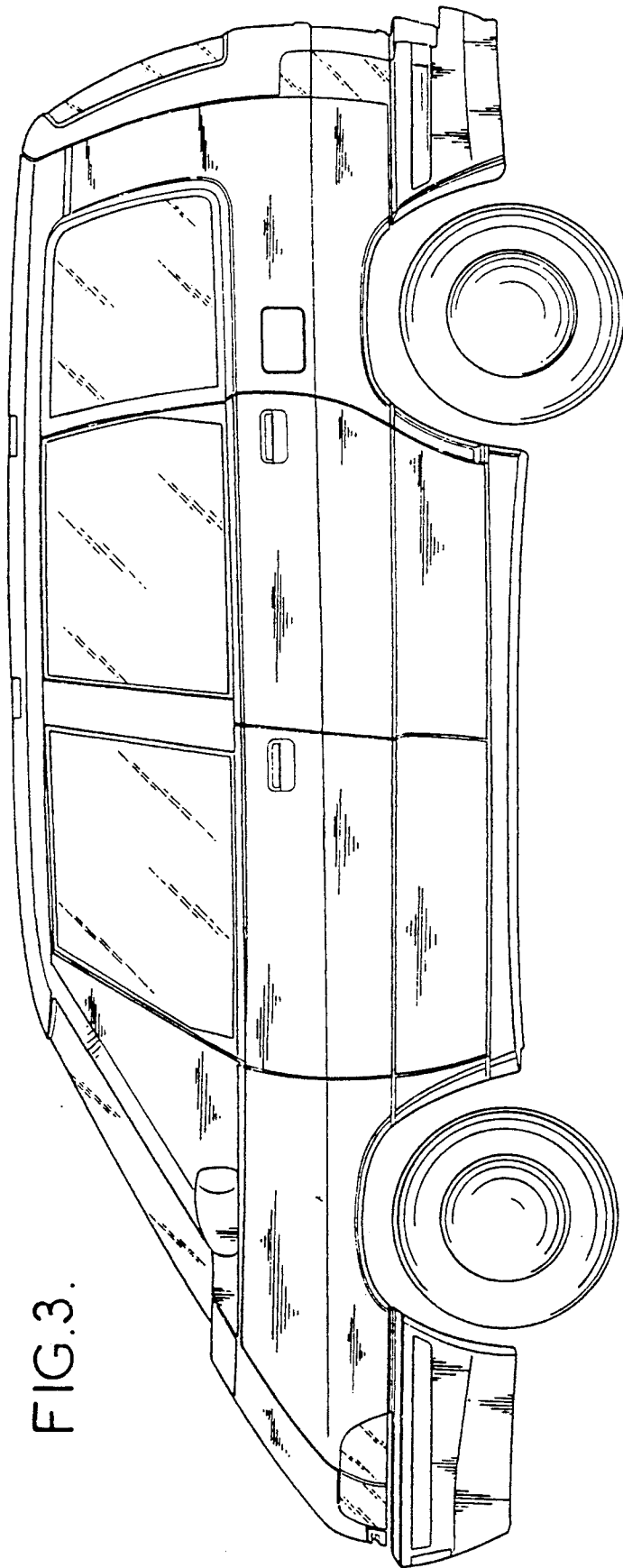


FIG.3.

FIG. 4.

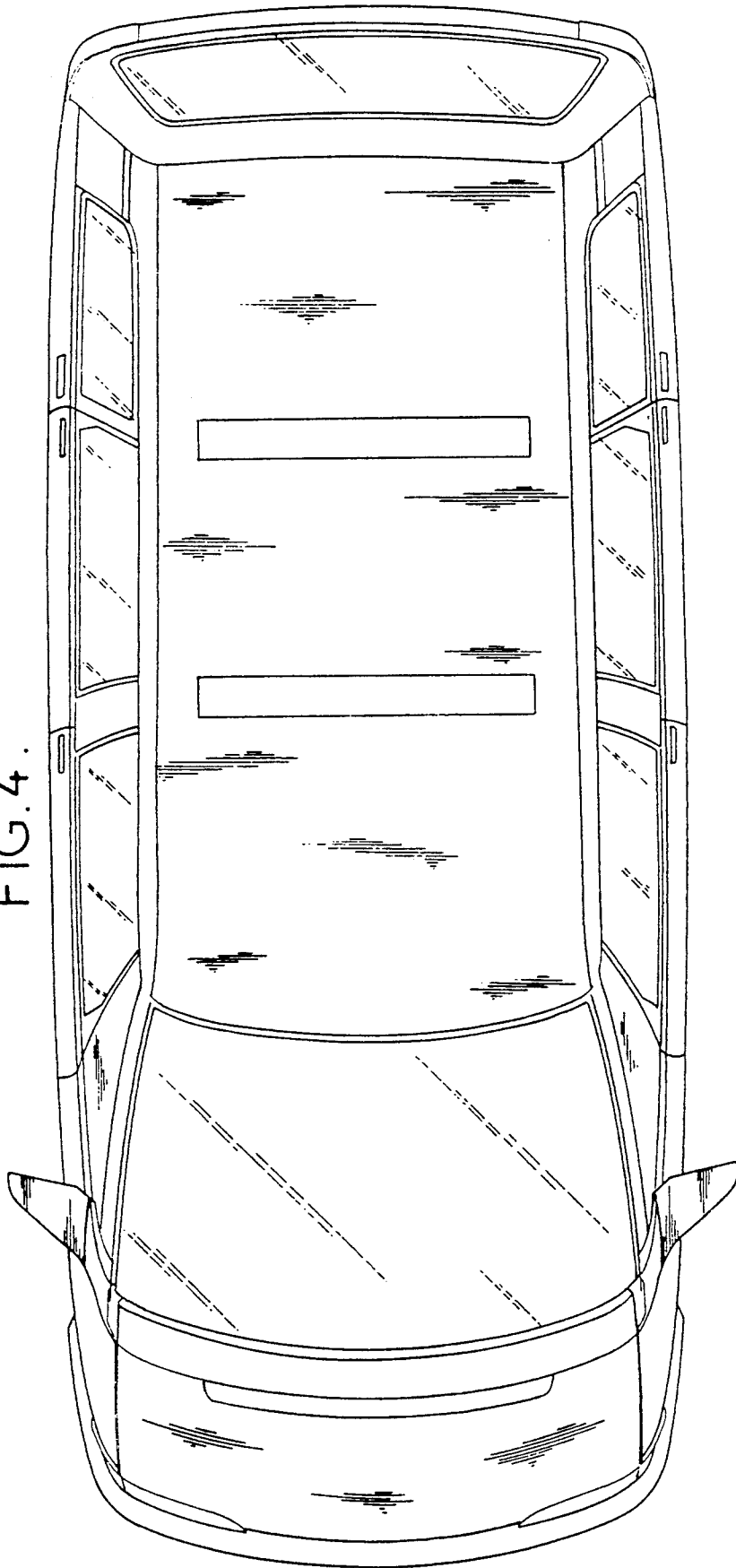


FIG. 5.

